

AFCI CONFIDENTIAL

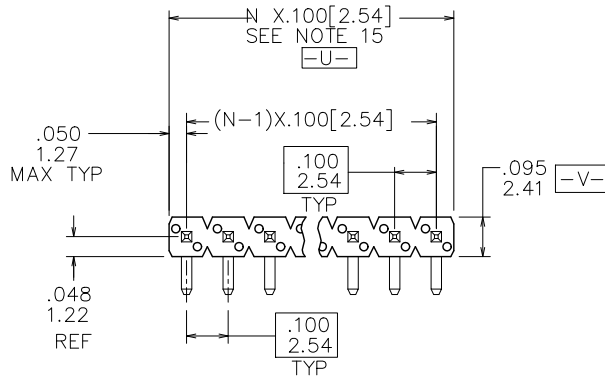
Amphenol FCI

This document is the property of and embodies CONFIDENTIAL and PROPRIETARY information of AFCI. No part of the information shown on this document may be used in any way or disclosed to others without the written consent of Amphenol Corporation. © 2020 Amphenol Corporation

PRODUCT NUMBER

XXXXX-YYYHTLF

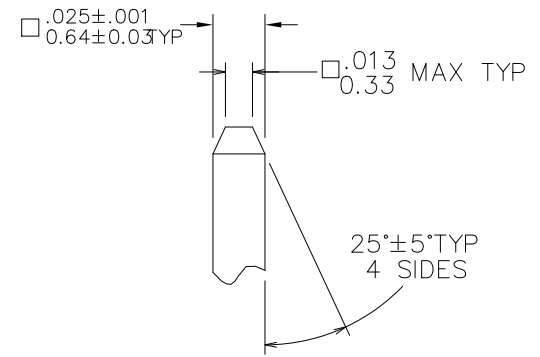
- LEAD FREE OPTION
SEE NOTE 1,8
- PACKAGING OPTION
SEE NOTE 1
- HIGH TEMPERATURE PLASTIC
SEE NOTE 1
- NO OF POSITIONS
SEE NOTE 1
- PIN PLATING
SEE SHEET 2
- BASE PART NO.



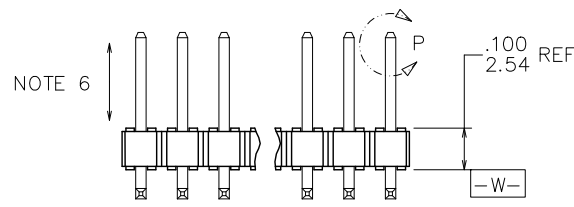
TOP VIEW

⊕ ∅.020/0.51 (M) U (M) V (S) W

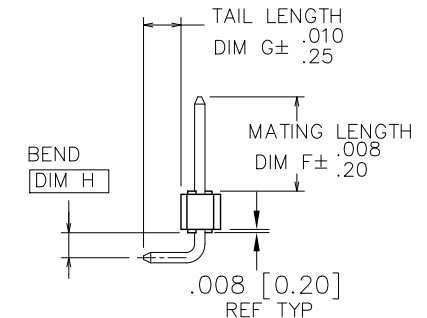
NOTE 4



DETAIL P
TYP BOTH ENDS



SIDE VIEW



END VIEW

68015-X XX-XXX-XXX LF

- TAIL LENGTH (EXAMPLE BELOW)
3.0mm=030 12.8mm=128 (SEE NOTE 11 & 12)
- MATING LENGTH (EXAMPLE BELOW)
5.0mm=050 25.5mm=255 (SEE NOTE 11 & 12)
- TOTAL NUMBER OF POSITION
FROM 1 THRU 36 POS. (SEE NOTE 1)
- PIN PLATING (SEE NOTE 13)
1=0.76µm Au
4= PURE TIN
8=0.36µm Au
- BASE PART NO.
SINGLE ROW RIGHT ANGLE

mat'l. code SEE NOTE 2&3				surface ISO 1302 ✓		tolerance ISO 406 ISO 1101		projection INCH/mm		product family BERGSTIK	
ltr	ecn no	dr	date	tolerances unless otherwise specified		linear		scale 1:1		title BERGSTIK® II HEADER .100/2.54cc SR R/A	
BA	N11-0118	J.Z	04/11/11	angles	.xx±0.01/.X±0.3					dwg no sheet 1 of 4 size	
BB	ELX-N-16105	ZK	10/22/13	linear	.xxx±0.005/.XX±0.13					68015 A4	
BC	ELX-N-16356	ZK	11/25/13	X°±2°	.xxx±0.0020/±0.051					type Product Customer Drawing	
BD	ELX-N-42692	MK	11/03/21	dr	T.BREWBAKER 01/31/95						
				enr	T.HANNA 01/31/95						
				chr	T.HANNA 01/31/95						
				appd	T.HANNA 01/31/95						
sheet index	revision sheet	BD 1	BD 2	BD 3	BD 4						

AFCI CONFIDENTIAL

Amphenol FCI

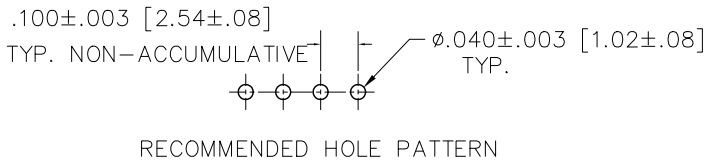
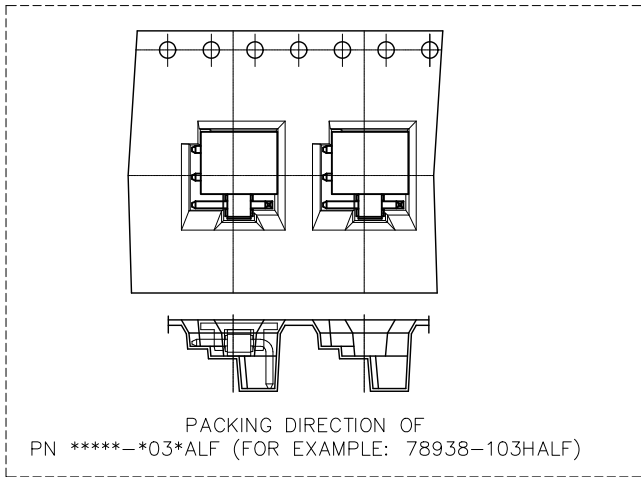
This document is the property of and embodies CONFIDENTIAL and PROPRIETARY information of AFCI. No part of the information shown on this document may be used in any way or disclosed to others without the written consent of Amphenol Corporation. © 2020 Amphenol Corporation

PIN PLATING CODES:	
XXXX-1YY	30u"/0.76u MIN (SEE NOTE 9) OVER 50u"/1.27u MIN Ni
XXXX-2YY	15u"/0.38u MIN (SEE NOTE 9) OVER 50u"/1.27u MIN Ni
XXXX-3YY	50u"/1.27u MIN (SEE NOTE 9) OVER 50u"/1.27u MIN Ni
XXXX-4YY	100u"/2.54u MIN Sn OVER 50u"/1.27u MIN Ni (SEE NOTE 10)
XXXX-4YYHLF	
XXXX-5YY	15u"/0.38u MIN (SEE NOTE 9) OVER 50u"/1.27u MIN Ni
XXXX-6YY	30u"/0.76u MIN (SEE NOTE 9) OVER 50u"/1.27u MIN Ni
XXXX-7YY	30u"/0.76u MIN (SEE NOTE 9) OVER 50u"/1.27u MIN Ni
XXXX-8YY	15u"/0.38u MIN (SEE NOTE 9) OVER 50u"/1.27u MIN Ni
XXXX-9YY	15u"/0.38u MIN (SEE NOTE 9) OVER 50u"/1.27u MIN Ni
XXXX-0YY	30u"/0.76u MIN (SEE NOTE 9) OVER 50u"/1.27u MIN Ni

- 10. THIS PRODUCT HAS 100% TIN PLATING IN THE INTERFACE AND HAS NOT BEEN TESTED FOR WHISKER GROWTH IN ALL INTERCONNECT ENVIRONMENTS."
- 11. THE OAL DON'T EXCEED 31mm
OAL= MATTING DIM+4.0mm<31mm WHERE THE SUM OF TAIL AND MATTING LENGTH DON'T EXCEED 27mm
- 12. INCREMENTS BY 0.1mm IN LENGTHS ONLY
- 13. FOR SPECIAL PACKAGING REQUEST PLEASE CONTACT PRODUCT MANAGER FOR AVAILABILITY
- 14. BEND DIMENSIONS AT 1.5mm ONLY
- 15. TO DETERMINE DIMENSIONS:
N=NUMBER OF POSITION PER ROW
EXAMPLE: 10 POS. N X .100/2.54

NOTES

- 1. PART NUMBER OPTIONS:
PIN PLATING CODES (SEE ABOVE)
HIGH TEMP. MATERIAL:
PART NUMBERS WITH AND WITHOUT "H" WILL BE SUPPLIED WITH HIGH TEMPERATURE PLASTIC.
NUMBER OF POSITION:
ANY NUMBER OF POSITIONS FROM 1 THRU 36.
PACKAGING:
PACKAGED IN POLY BAGS.
EIGHT DIGIT PART NUMBERS FOLLOWED BY A "T" ARE PACKAGED IN TUBES. SEE SPECIFIC PART NUMBERS FOR AVAILABILITY.
EIGHT DIGIT PART NUMBERS FOLLOWED BY A "A" ARE PACKAGED IN TAPE & REEL WITH PICK UP CAP, COMMONLY CAP IS ASSEMBLED AT THE CENTER OF THE PRODUCT EXCEPT FOR THE PN *****-03*ALF TO SEE RIGHT FIG.
LEAD FREE:
ADD "HLF" SUFFIX AT THE END OF PART NUMBER FOR LEAD FREE OPTION, NOT AVAILABLE FOR -5YY,-5YYH,-6YY & -6YYH.
- 2. BODY MATERIAL:
MANUFACTURER'S OPTION OF NYLON OR PCT, GLASS FIBER REINFORCED, OR LCP MINERAL FILED FLAME RETARDENT PER UL-94V-0.
COLOR: BLACK.
PART NUMBERS WITH AND WITHOUT "H" SUFFIX WILL WITHSTAND EXPOSURE TO 260°C PEAK TEMPERATURE FOR 20 SECONDS IN WAVE SOLDER, INFRA-RED OR VAPOR PHASE SOLDER PROCESS.
- 3. PIN MATERIAL: PHOS-BRONZE.
- 4. MEASURED WITH PART IN RESTRAINED CONDITION.
- 5. TWO SIDES OF PIN TIPS NOT PLATED. TYPICAL BOTH ENDS.
- 6. 2LBS/0.9KG MIN PIN RETENTION IN EITHER DIRECTION.
- 7. MILITARY BERGSTIK HEADER
P/N XXXXX-YYY-MIL
NOT AVAILABLE.
- 8. THESE PRODUCTS MEETS EUROPEAN UNION DIRECTIVES AND OTHER COUNTRY REGULATION AS DESCRIBED IN GS-22-008.
- 9. PLATING OPTIONS:
PERFORMANCE PLATING WILL BE EITHER GOLD OR GXT ON POST OR TAIL, OPTIONALLY (78~295u"/2~7.5u) TIN ON TAIL.



mat'l. code SEE NOTE 2&3		surface ISO 1302 ✓		tolerance ISO 406 ISO 1101		projection 		product family BERGSTIK	
ltr	ecn	no	dr	date		tolerances unless otherwise specified		title	
BD						angles linear .xx±0.01/.X±0.3 .xxx±0.005/.XX±0.13 .xxxx±0.0020/±0.051		BERGSTIK® II HEADER .100/2.54cc SR R/A	
						X°±2'		INCH/mm	
						dr		scale 1:1	
						enr		Amphenol FCI	
						chr		sheet 2 of 4	
						appd		size A4	
sheet index		revision sheet						type Product Customer Drawing	

AFCI CONFIDENTIAL

Amphenol
FCI

This document is the property of and embodies CONFIDENTIAL and PROPRIETARY information of AFCI. No part of the information shown on this document may be used in any way or disclosed to others without the written consent of Amphenol Corporation.
© 2020 Amphenol Corporation

PRODUCT NUMBER	MATING LENGTH		TAIL LENGTH		BEND DIM		PACKAGING	LF OPTION
	DIM F	DIM F	DIM G	DIM G	DIM H	DIM H		
	ENGLISH	METRIC	ENGLISH	METRIC	ENGLISH	METRIC		
68015-YYY	0.230	5.84	0.090	2.29	0.060	1.52	POLY BAGS/TUBES	NOTE 1,8
68016-YYY	0.230	5.84	0.120	3.05	0.060	1.52	POLY BAGS/TUBES	
68023-YYY	0.135	3.43	0.305	7.75	0.135	3.43	POLY BAGS	
68417-YYY	0.230	5.84	0.390	9.91	0.060	1.52	POLY BAGS	
68423-YYY	0.318	8.08	0.120	3.05	0.060	1.52	POLY BAGS/TUBES	
68458-YYY	0.318	8.08	0.110	2.79	0.060	1.52	POLY BAGS	
68461-YYY	0.400	10.16	0.320	8.13	0.260	6.60	POLY BAGS	
68468-YYY	0.230	5.84	0.195	4.95	0.160	4.06	POLY BAGS	
68488-YYY	0.230	5.84	0.180	4.57	0.060	1.52	POLY BAGS	
68494-YYY	0.400	10.16	0.110	2.79	0.060	1.52	POLY BAGS	
68498-YYY	0.230	5.84	0.220	5.59	0.160	4.06	POLY BAGS	
68626-YYY	0.230	5.84	0.295	7.49	0.060	1.52	POLY BAGS	
68627-YYY	0.120	3.05	0.185	4.70	0.150	3.81	POLY BAGS	
68628-YYY	0.230	5.84	0.590	14.99	0.060	1.52	POLY BAGS	
68641-YYY	0.230	5.84	0.490	12.45	0.060	1.52	POLY BAGS	
68660-YYY	0.110	2.79	0.230	5.84	0.135	3.43	POLY BAGS	
68694-YYY	0.600	15.24	0.120	3.05	0.060	1.52	POLY BAGS	
68757-YYY	0.350	8.89	0.220	5.59	0.100	2.54	POLY BAGS	
68758-YYY	0.275	6.99	0.120	3.05	0.060	1.52	POLY BAGS	
68764-YYY	0.100	2.54	0.120	3.05	0.060	1.52	POLY BAGS	
68782-YYY	0.318	8.08	0.180	4.57	0.060	1.52	POLY BAGS	
68798-YYY	0.110	2.79	0.230	5.84	0.160	4.06	POLY BAGS	
69189-YYY	0.310	7.87	0.250	6.35	0.060	1.52	POLY BAGS	
71270-YYY	0.600	15.24	0.189	4.80	0.060	1.52	POLY BAGS	
72342-YYY	0.120	3.05	0.250	6.35	0.060	1.52	POLY BAGS	
78230-YYY	0.310	7.87	0.330	8.38	0.060	1.52	POLY BAGS	
78231-YYY	0.310	7.87	0.290	7.37	0.060	1.52	POLY BAGS	

mat'l. code SEE NOTE 2&3		surface ISO 1302 ✓	tolerance ISO 406 ISO 1101	projection 	product family BERGSTIK
ltr	ecn no	dr	date	tolerances unless otherwise specified	title
BD				angles linear .xx±0.01/.X±0.3 .xxx±0.005/.XX±0.13 .xxxx±0.0020/±0.051	BERGSTIK® II HEADER .100/2.54cc SR R/A
				X*±2'	INCH/mm
				dr T.BREWBAKER 01/31/95	scale 1:1
				enr T.HANNA 01/31/95	Amphenol FCI
				chr T.HANNA 01/31/95	dwg no 68015 sheet 3 of 4 size A4
				appd T.HANNA 01/31/95	type Product Customer Drawing
sheet index	revision sheet				

AFCI CONFIDENTIAL

Amphenol
FCI

This document is the property of and embodies CONFIDENTIAL and PROPRIETARY information of AFCI. No part of the information shown on this document may be used in any way or disclosed to others without the written consent of Amphenol Corporation.
© 2020 Amphenol Corporation

PRODUCT NUMBER	MATING LENGTH		TAIL LENGTH		BEND DIM		PACKAGING	LF OPTION
	DIM F	DIM F	DIM G	DIM G	DIM H	DIM H		
	ENGLISH	METRIC	ENGLISH	METRIC	ENGLISH	METRIC		
78234 - XY	0.230	5.84	0.140	3.56	0.160	4.06	POLY BAGS	OB
78541 - XY	0.318	8.08	0.080	2.03	0.060	1.52	POLY BAGS	OB
78587- XY			UNAVAILABLE					
78938- XY	0.120	3.05	0.120	3.05	0.060	1.52	POLY BAGS	NOTE 1,8
78955 - XY	0.075	1.91	0.090	2.29	0.060	1.52	POLY BAGS	OB
78978 - XY	0.120	3.05	0.318	8.08	0.135	3.43	POLY BAGS	OB
A 79409- XY			UNAVAILABLE					
84846- XY	0.140	3.56	0.290	7.37	0.153	3.89	POLY BAGS	OB
84917- XY	0.090	2.29	0.195	4.95	0.190	4.83	POLY BAGS	OB
84935- XY	0.450	11.43	0.320	8.13	0.260	6.60	POLY BAGS	OB
84936- XY	0.350	8.89	0.120	3.05	0.060	1.52	POLY BAGS	OB
87532- XY	0.230	5.84	0.890	22.61	0.060	1.52	POLY BAGS	OB
88813 - XY	0.230	5.84	0.085	2.16	0.060	1.52	POLY BAGS	OB
92050 - XY	0.162	4.11	0.120	3.05	0.060	1.52	POLY BAGS	OB
92632 - XY	0.100	2.54	0.318	8.08	0.060	1.52	POLY BAGS	OB
92909 - XY	0.400	10.16	0.220	5.59	0.060	1.52	POLY BAGS	OB
B 94099- XY	0.157	3.99	0.090	2.29	0.060	1.52	POLY BAGS	OB
94529- XY	0.120	3.05	0.295	7.49	0.135	3.43	POLY BAGS	OB
94671- XY	0.090	2.29	0.085	2.16	0.180	4.57	POLY BAGS	OB
95653- XY	0.330	8.38	0.310	7.87	0.160	4.06	POLY BAGS	OB
95666- XY	0.230	5.84	0.145	3.68	0.060	1.52	POLY BAGS	OB
10089061- XY	0.125	3.18	0.318	8.08	0.135	3.43	POLY BAGS	OB

mat'l. code SEE NOTE 2&3		surface ISO 1302 <input checked="" type="checkbox"/>	tolerance ISO 406 ISO 1101	projection 	product family BERGSTIK	
ltr	ecn no dr date	tolerances unless otherwise specified		INCH/mm ←	title BERGSTIK® II HEADER .100/2.54cc SR R/A	
BD		angles	linear			
		X°±2'	.xx±0.01/.X±0.3 .xxx±0.005/.XX±0.13 .xxxx±0.0020/±0.051	scale 1:1		
		dr	T.BREWBAKER 01/31/95	Amphenol FCI	dwg no	
		enr	T.HANNA 01/31/95		sheet 4 of 4	size
		chr	T.HANNA 01/31/95		68015	A4
		appd	T.HANNA 01/31/95	type Product Customer Drawing		
sheet index	revision sheet					