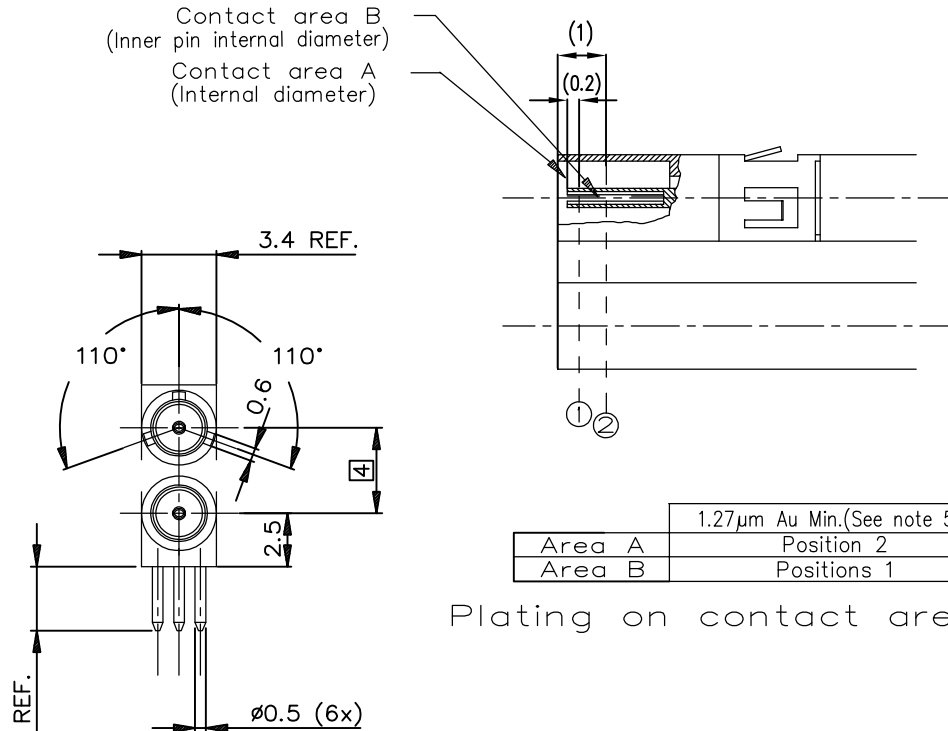
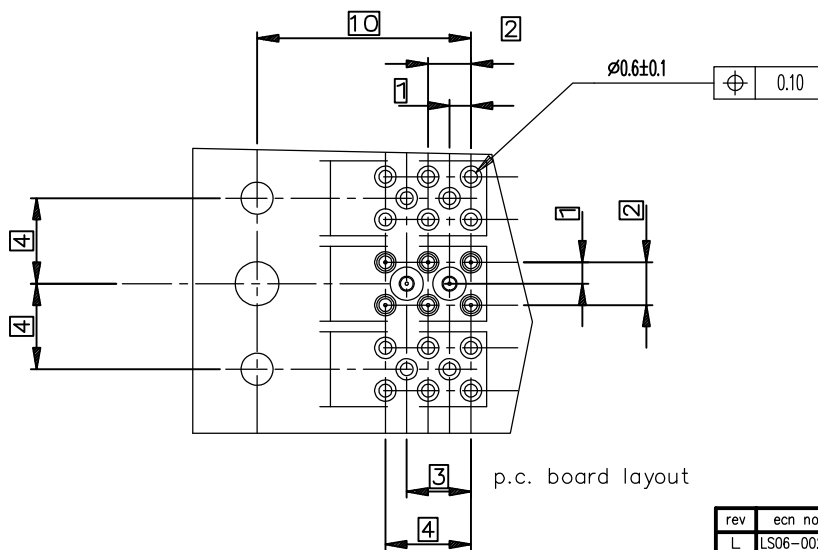
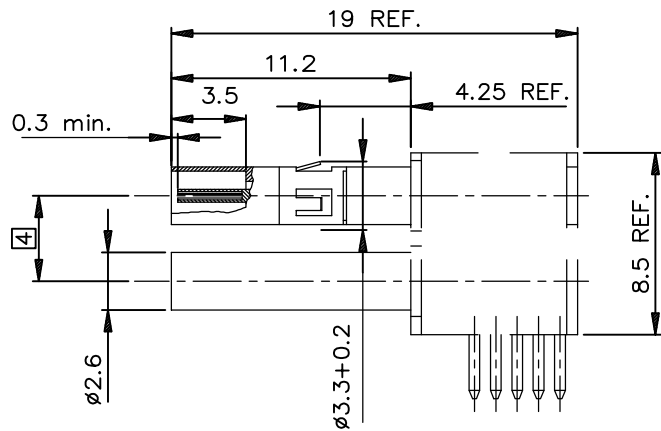


LEAD FREE P/N	DIM M	PCB Thk.	REMARKS
<del>70239-001LF</del>	2.80	1.6mm	OBSOLETE
<del>70239-002LF</del>	3.80	2.4mm	
<del>70239-003LF</del>	2.20	1.6mm	CUSTOMER SPECIAL / OBSOLETE
<del>70239-004LF</del>	2.92	1.6mm	CUSTOMER SPECIAL / OBSOLETE



1.27µm Au Min.(See note 5)	
Area A	Position 2
Area B	Positions 1

Plating on contact area

NOTES

- 1 ALL DIMENSIONS ARE REFERENCE
- 2 THIS PRODUCT WITH "LF" SUFFIX MEETS EUROPEAN UNION DIRECTIVES AS DESCRIBED ON GS-47-0004
- 3 THE HOUSING WILL WITHSTAND EXPOSURE TO 260 DEGREE PEAK TEMPERATURE FOR 10 SECONDS IN A WAVE SOLDER APPLICATION WITH A MINIMUM CIRCUIT BOARD THICKNESS : 1.6mm
- 4 PACKAGING SPEC: SEE GS-14-920
- 5 RECOMMENDED MEASUREMENT DEVICE: X-RAY PER RECOMMENDED PRACTICE RP-GL-TERP-M-0232. MEASURED AREAS SHOULD NOT BE DAMAGED

European Views

www.fcconnect.com		surface ISO 1302	<input checked="" type="checkbox"/>	tolerance std ISO 406 ISO 1101	projection 	mm
TOLERANCES UNLESS OTHERWISE SPECIFIED				0.X	±0.1	size A3
Dr	GOISNARD	2006/03/04	ANGULAR	0.XX	±0.1	Scale 4
Eng	GOISNARD	2006/03/04	LINEAR	0.XXX	±0.1	ECN B-17802
Chr	LEGARE	2006/03/04	0.XX ±2	0.XXX	±0.1	Spec ref -
Appr	LEGARE	2006/03/04	Product family		METRAL	
		title R/A FEMALE 50ohm MINI COAX		dwg no 70239		Rev. R
catalog no		-		CUSTOMER		sheet 1 of 1

rev	ecn no	dr	date
L	LS06-0022	LGO	2006/03/04
M	LS07-0214	LGO	2007/08/20
N	LS08-0057	LGO	2008/02/18
P	B-17802	APA	2014/05/28
R	F-52118	DDE	2024/07/10
-	-	-	-
-	-	-	-