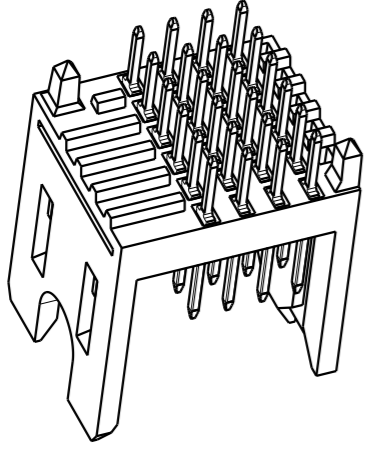
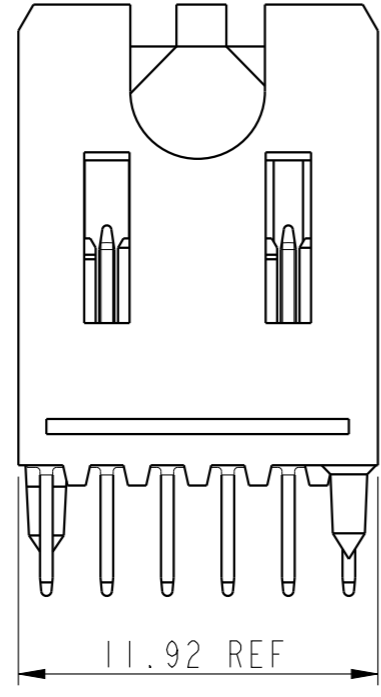
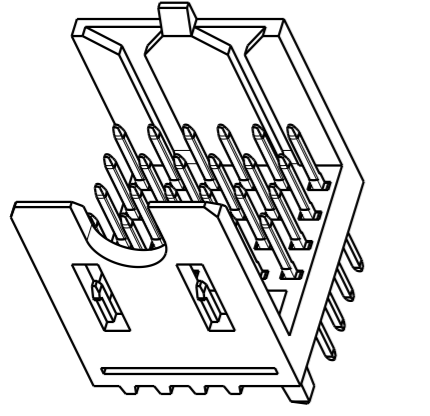
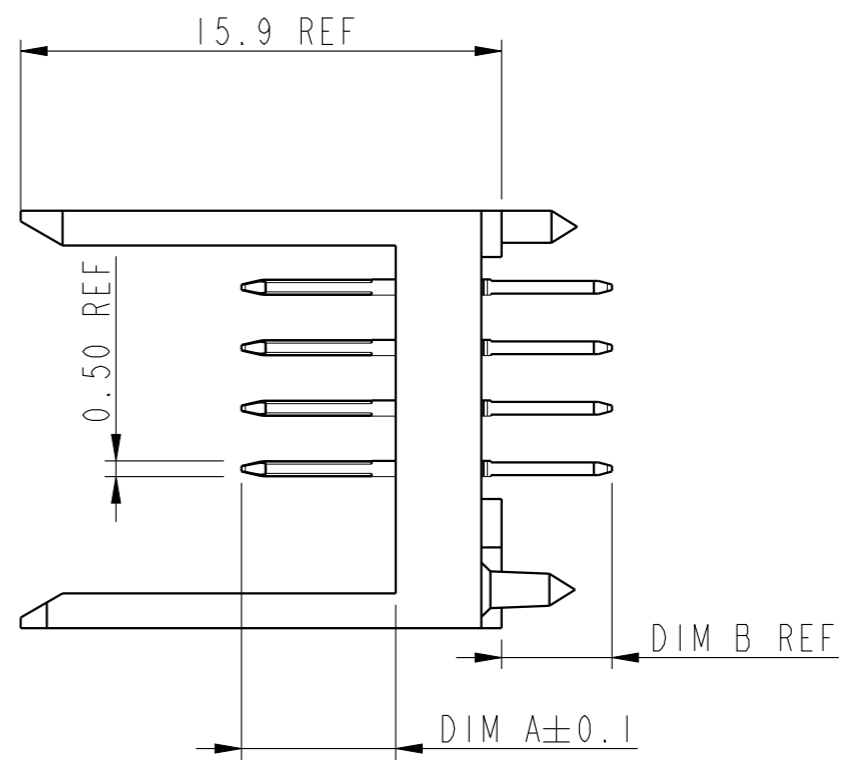
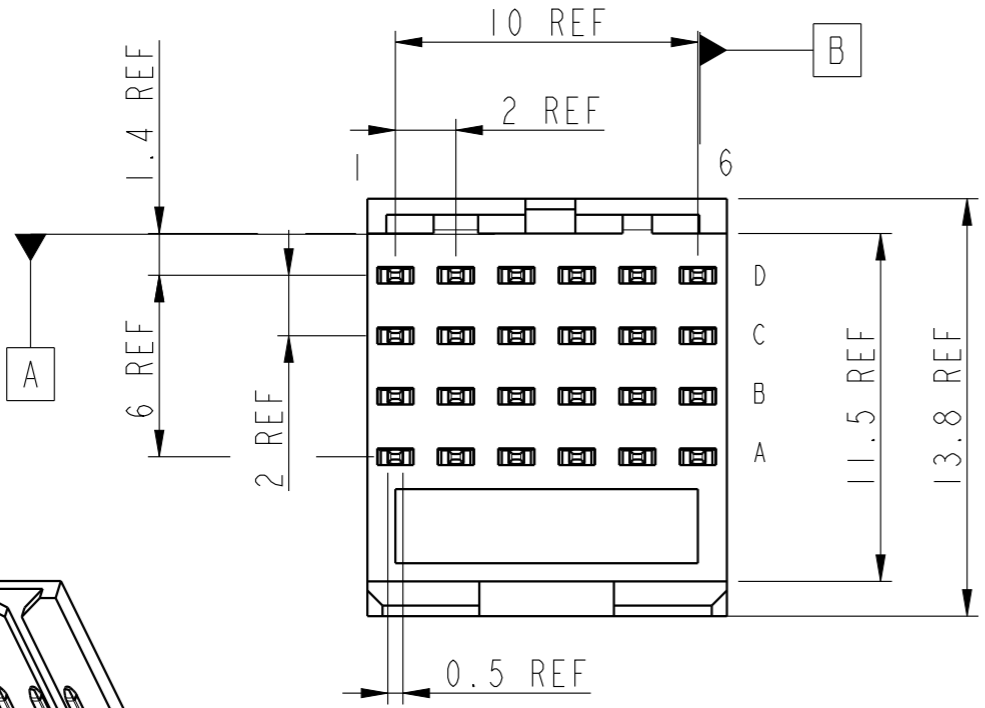


PART NUMBER
70264-XXX(L)LF



PART NUMBER : 70264-XXX(L)LF

L REFER LUBRICATED (OPTIONAL)

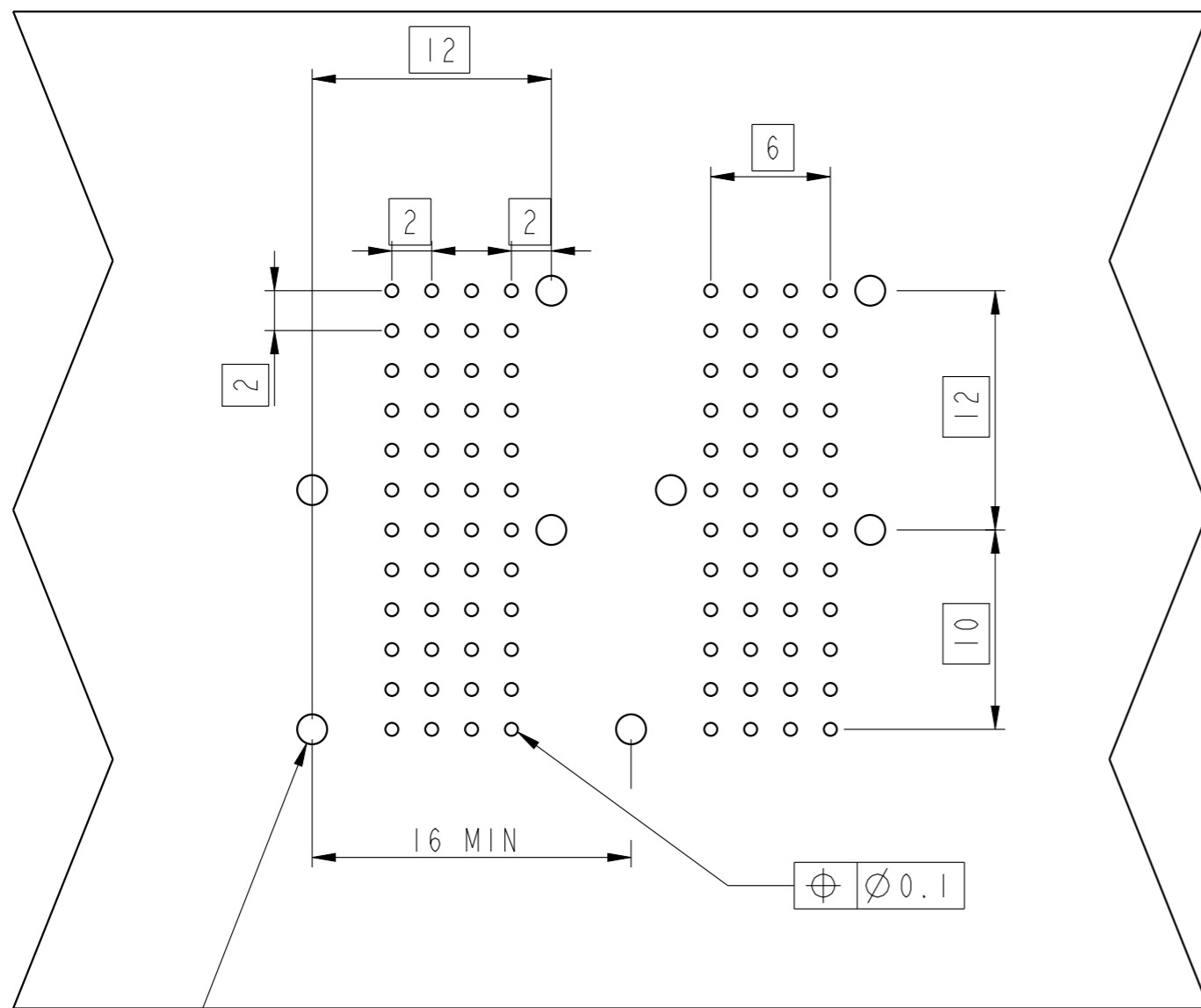
SEE NOTE 3

X REFER PLATING PERFORMANCE

SEE NOTE 3

GENERAL CHARACTERISTICS AND RoHS INFORMATIONS:
SEE DRAWING C-8626-000S

spec ref	-	dr	Terran Huang	2010/07/09	projection		size	A3	scale	4:1	
tolerance std	ISO 406 ISO 1101	eng	Rahul Mohan-M	2021/08/16	mm		ecn no	ELX-I-41698-1			
	TOLERANCES UNLESS OTHERWISE SPECIFIED	chr	-	-	product family	mdl.param.value	rel level	Released			
mdl.param.value	linear	0.X	±0.3	Amphenol FCI	METRAL SIGNAL STRAIGHT HEADER		dwg no	70264		rev	N
		0.XX	±0.13		1 MODULE 4 ROW STB NARROW BODY						
		0.XXX	±0.050		cat. no.	mdl.param.value		Product - Customer Drw	sheet 1 of 3		
	ISO 1302	angular	0°								



KEY		
CODE	DIMENSIONS	
	DIM A MATE	DIM B TAIL
1	5.00	4.25
2	5.75	4.25
3	6.50	4.25
4	7.25	4.25
5	5.00	3.6
6	5.75	3.6
7	6.50	3.6
8	7.25	3.6

Amphenol FCI

© 2020 Amphenol Corporation

$\phi 1.5^{+0.1}$
 $\phi 0.1$
 UNPLATED HOLES

REQUIRED PCB LAYOUT
 COMPONENT SIDE
 FOR PTH DETAILS REFER DRAWING 58351

- NOTES :
1. FOR DIM A AND DIM B, SEE SHEET 2 AND UP.
 2. MATERIAL: BODY : LCP UL94-V0
: CONTACT : COPPER ALLOY.
 3. FOR PLATING PERFORMANCE REFER DRAWING # 10159408
 4. ALL PRODUCTS WITH PART NUMBERS SHOWN IN SUBSEQUENT TABLES WILL BE PACKAGED IN TUBES.
 5. THIS PRODUCT MEETS EUROPEAN UNION DIRECTIVES AND OTHER COUNTRY REGULATIONS AS DESCRIBED IN GS-47-0004.
 6. ALL PRODUCTS WILL WITHSTAND EXPOSURE TO 260°C FOR 60 SECONDS IN A CONVENTION INFAR-RED OR VAPOR PHASE REFLOW OVEN.
 7. A \triangle SYMBOL WILL BE NEXT TO ANY DIMENSION, VIEW, OR NOTE WHICH HAS BEEN MODIFIED WITH THE CURRENT DRAWING REVISION.

spec ref	-	dr	Terran Huang	2010/07/09	projection		size	A3	scale	3:1
tolerance std	ISO 406 ISO 1101	eng	Rahul Mohan-M	2021/08/16	mm	\longleftrightarrow	ecn no	ELX-I-41698-1	rel level	Released
mdl . param . value	TOLERANCES UNLESS OTHERWISE SPECIFIED	chr	-	-	product family	mdl . param . value	rel level	Released	rev	N
ISO 1302	linear	appr	Kuriakose, San	2021/08/16	METRAL SIGNAL STRAIGHT HEADER		dwg no	70264	cat. no.	mdl . param . value
	angular				I MODULE 4 ROW STB NARROW BODY		Product - Customer Drw	sheet 2 of 3		
	0.X									
	0.XX									
	0.XXX									
	0°									
	±0.3									
	±0.13									
	±0.050									
	±2°									

A

B

C

D

A

B

C

D

METRAL P/N	ROW	DIM A MATE	DIM B TAIL
70264-X01LF	D	5.00	4.25
	C	5.00	4.25
	B	5.00	4.25
	A	5.00	4.25

METRAL P/N	ROW	DIM A MATE	DIM B TAIL
70264-X06LF	D	5.00	4.25
	C	5.75	4.25
	B	5.75	4.25
	A	6.50	4.25

METRAL P/N	ROW	DIM A MATE	DIM B TAIL
70264-X10LF	D	5.00	3.30
	C	5.00	3.30
	B	5.00	3.30
	A	5.00	3.30

METRAL P/N	ROW	DIM A MATE	DIM B TAIL
70264-X02LF	D	5.00	4.25
	C	5.00	4.25
	B	5.00	4.25
	A	6.50	4.25

METRAL P/N	ROW	DIM A MATE	DIM B TAIL
70264-X07LF	D	6.50	4.25
	C	6.50	4.25
	B	5.75	4.25
	A	5.00	4.25

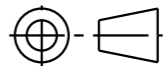

METRAL P/N	ROW	DIM A MATE	DIM B TAIL
70264-X03LF	D	6.50	4.25
	C	5.75	4.25
	B	5.75	4.25
	A	6.50	4.25

METRAL P/N	ROW	DIM A MATE	DIM B TAIL
70264-X08LF	D	5.75	4.25
	C	5.75	4.25
	B	5.75	4.25
	A	5.75	4.25

METRAL P/N	ROW	DIM A MATE	DIM B TAIL
70264-X04LF	D	7.25	4.25
	C	6.50	4.25
	B	6.50	4.25
	A	7.25	4.25

METRAL P/N	ROW	DIM A MATE	DIM B TAIL
70264-X09LF	D	5.00	4.25
	C	5.75	4.25
	B	6.50	4.25
	A	7.25	4.25

METRAL P/N	ROW	DIM A MATE	DIM B TAIL
70264-X05LF	D	6.50	4.25
	C	6.50	4.25
	B	6.50	4.25
	A	6.50	4.25

spec ref	-	dr	Terran Huang	2010/07/09	projection		size	A3	scale	1:1
tolerance std	ISO 406 ISO 1101	eng	Rahul Mohan-M	2021/08/16	mm		ecn no	ELX-I-41698-1		
	TOLERANCES UNLESS OTHERWISE SPECIFIED	chr	-	-	product family	mdl.param.value	rel level	Released		
mdl.param.value	linear	0.X	±0.3	appr	Kuriakose, San	2021/08/16	dwg no	70264	rev	N
		0.XX	±0.13							
		0.XXX	±0.050							
	angular	0°	±2°							
		ISO 1302					cat. no.	mdl.param.value	Product - Customer Drw	sheet 3 of 3