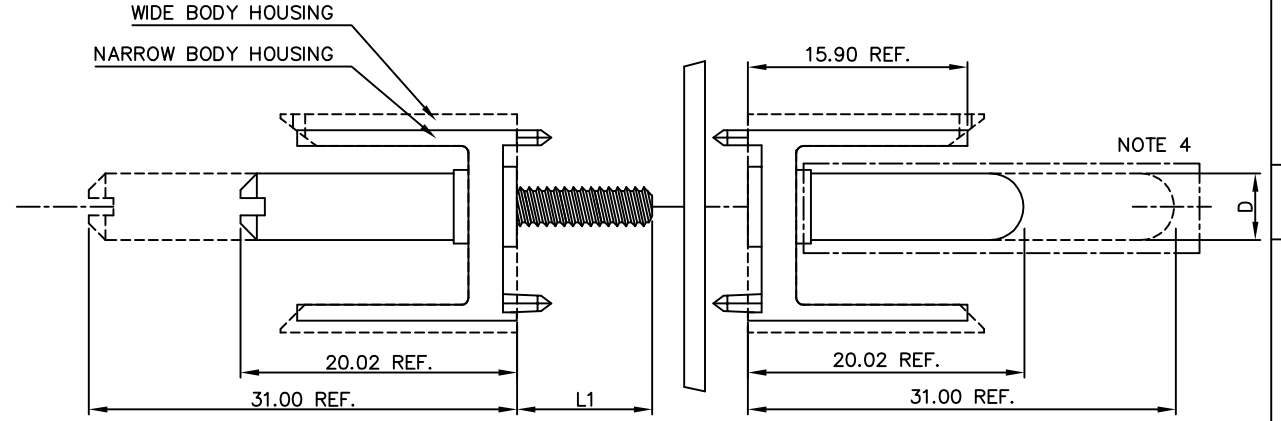
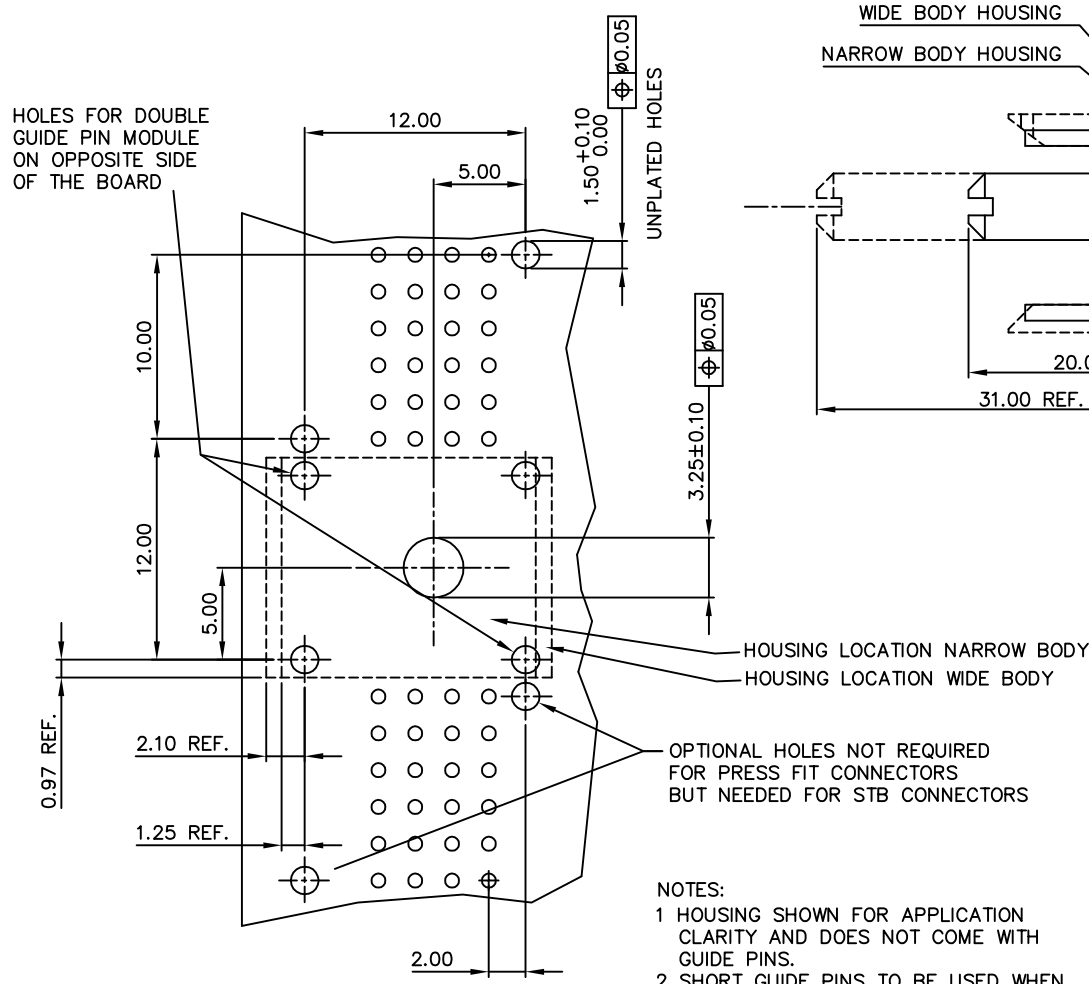


PRODUCT NUMBER	DESCRIPTION	D	L1	L2
70295-001LF	SHORT SINGLE GUIDE PIN WITH COMBO PAN HEAD SCREW	4.57		12.7
70295-002LF	LONG SINGLE GUIDE PIN WITH COMBO PAN HEAD SCREW	4.57		12.7
70295-003LF	SHORT DOUBLE GUIDE PIN	4.57	12.7	
70295-004LF	LONG DOUBLE GUIDE PIN	4.57	12.7	
70295-007LF	LONG DOUBLE GUIDE PIN FOR PCB 10mm THICKNESS	4.57	14.7	
70295-008LF	SHORT SINGLE GUIDE PIN WITH COMBO PAN HEAD SCREW DIAMETER GUIDE PIN REDUCED TO 4.2 mm	4.2		12.7



- NOTES:
- 1 HOUSING SHOWN FOR APPLICATION CLARITY AND DOES NOT COME WITH GUIDE PINS.
 - 2 SHORT GUIDE PINS TO BE USED WHEN A PCB STIFFENER IS PRESENT ON BOARD.
 - 3 THIS PRODUCT MEETS EUROPEAN UNION DIRECTIVES AND OTHER COUNTRY REGULATIONS AS DESCRIBED IN GS-22-008

mat'l. code		tolerances unless otherwise specified		CUSTOMER COPY		ELECTRONICS	
ltr	ecm no	dr	date	linear	projection	title	www.fciconnect.com
M	0005-0320	CLU	050907		ϕ	GUIDE PIN ASSEMBLY 12 mm	
G	HC8058	DD8	981027	angles	mm	product family	ETRAL(tm)
H	H90222	HME	990323	dr	STU STONER	901026	code
J	H90251	HME	990407	eng	STU STONER	901026	213
K	HC9018	DD8	990727	chr	P SCHALK	950928	sheet
L	H00023	LLA	000117	app	D ANDREWS	910315	1 of 1
sheet	revision	M					
Index	sheet	1					