

PRODUCT NUMBER
71607-XXXXLF

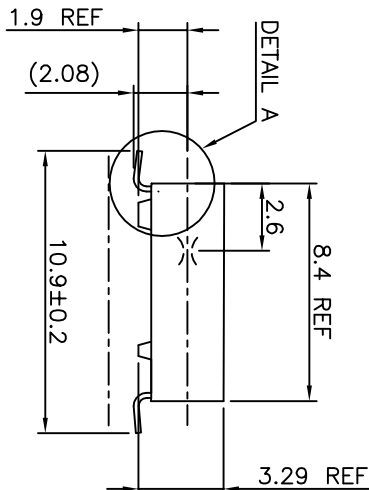
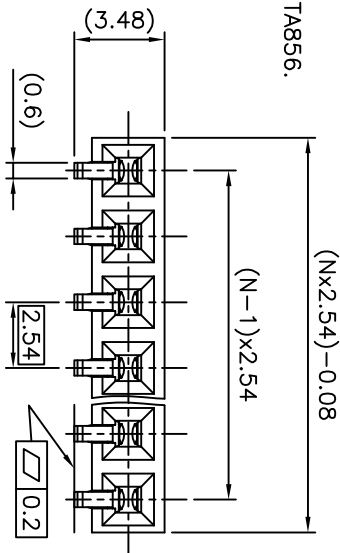
ROHS COMPATIBLE, SEE NOTE 6

OPTIONAL LETTER
A: PRODUCT PACKED IN TAPE & REEL, SEE TABS56.

NUMBER OF POSITIONS: 02 TO 40.

PLATING CODE

- 3 = 0.76µm GOLD ON CONTACT AREA.
- 2µm MIN MATTE TIN ON TAIL.
- 4 = 2µm MIN MATTE TIN FULL PLATED
- 8 = 0.35µm GOLD ON CONTACT AREA.
- 2µm MIN MATTE TIN ON TAIL.
- 1.27µm Ni MIN UNDERPLATING



NOTES:

- 1 - HOUSING MAT'L: THERMOPLASTIC GLASS FILLED FLAME RETARDANT PER UL 94 V-0 COLOR: GREY.
- 2 - TERMINAL MATERIAL: PHOSPHOR BRONZE.
- 3 - 2 UP TO 4 POSITIONS PRODUCT PACKED IN PLASTIC BOX
- 5 UP TO 40 POSITIONS PRODUCT PACKED IN TUBE.
- 4 - TO DETERMINE DIMENSIONS:
N = NUMBER OF POSITIONS
EXAMPLE: 8 POS: (N x 2.54) - 0.08 = 20.24 mm
- 5 - RECOMMENDED IR PROFIL PER TA 842.
- 6 - ROHS COMPATIBLE PRODUCT SPECIFICATIONS

d - PLATING:

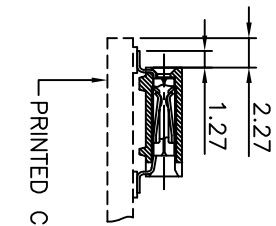
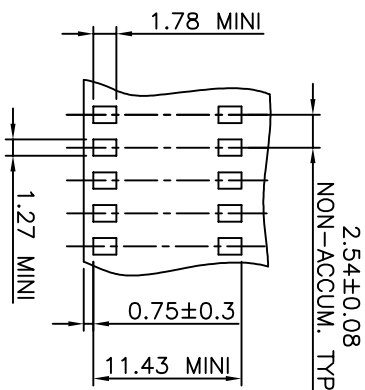
- "LF" MEANS THE PRODUCT IS LEAD-FREE, 2µm MINIMUM MATTE TIN OVER 1.27µm MINIMUM NICKEL UNDERPLATE.

b - MANUFACTURING PROCESS COMPATIBILITY

- THE HOUSING WILL WITHSTAND EXPOSURE TO 260°C PEAK TEMPERATURE FOR 30 SECONDS MAX IN A CONVECTION, INFRA-RED OR VAPOR PHASE OR REFLOW OVEN.

c - LABELING:

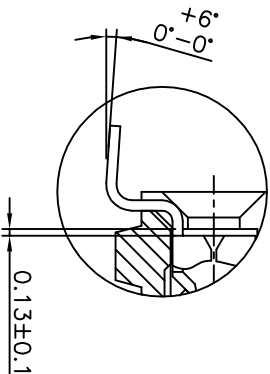
- MEETS PACKAGING SPECS AS PER GS-14-920
- d - LEGAL STATEMENT: SEE GS-47-0004



RECOMMENDED HOLE PATTERN

SCALE 2.5:1

DETAIL A
SCALE 20:1



mat'l. code	surface	tolerance	projection	product family
SEE NOTE 1	ISO 1302	ISO 406 ISO 1001	mm	DUBOX

ltr	ecn no	dr	date	tolerances unless otherwise specified	angles	linear	40.3	scale	10:1	title
T	F04-034	DLE	04.11.08							BtB RECEPT.
U	F06-0204	DLE	06.06.10							HORIZ SR SMT
V	B-19123	LMU	14.10.20							

dr	engr	chf	appd	PNZ	94.03.21	99.06.08	97.05.13	99.06.08	FCI	type	dwg no	sheet 1 of 1	size
	P NIZZI									CUSTOMER	71607	A3	A3

sheet	revision	sheet	index	4	5	6