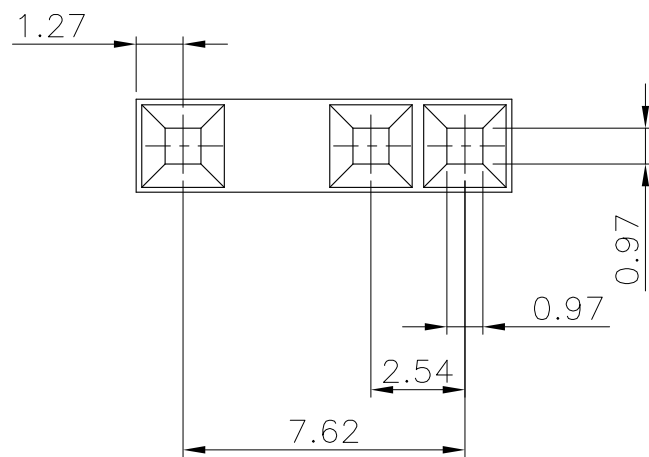
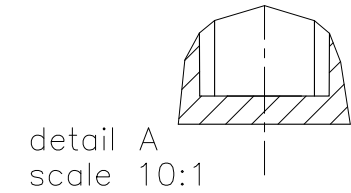
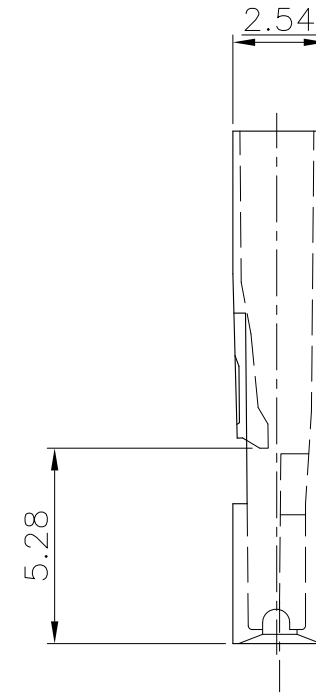
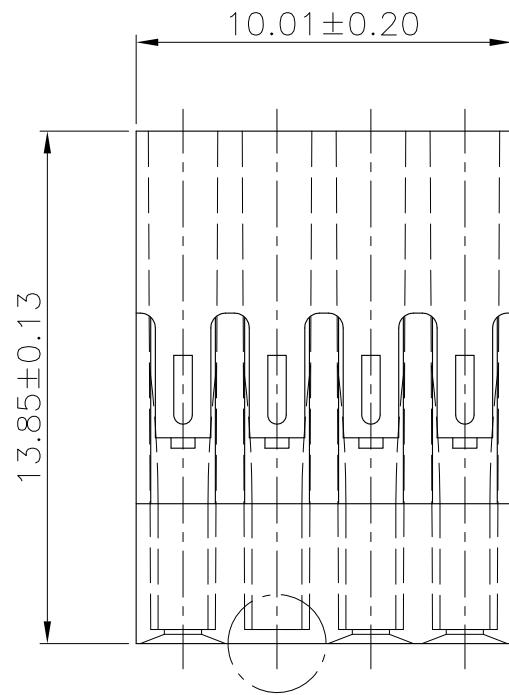


PRODUCT NUMBER
71627-001LF

"LF" INDICATES THE PRODUCT IS RoHS
COMPLIANT, SEE NOTE 5.



NOTES:

1. MATERIAL: POLYPHENYLENE OXYDE (NORYL) COLOR BLACK UL 94V-1
 2. LATCH TERMINAL MUST WITHSTAND A MIN PULL-OUT FORCE OF 2.9 Kg
 3. TERMINALS MUST BE CRIMPED PROPERLY FOR SATISFACTORY LATCHING
SEE TA-295 FOR CRIMPING INSTRUCTIONS.
 4. THIS HOUSING IS INTENDED FOR USE WITH MINI PV TERMINAL WITH 22-36
GAUGE WIRE.
 5. - RoHS COMPATIBLE PRODUCT SPECIFICATIONS
 - a - LABELING:
 - MEETS PACKAGING SPECS AS PER GS-14-920
 - b - LEGAL STATEMENT: SEE GS-22-008
- THE PRODUCT IS NOT INTENDED TO BE EXPOSED TO A
MANUFACTURING SOLDER PROCESS.

mat'l. code 16-502-001		surface ISO 1302 ✓		tolerance ISO 406 ISO 1101		projection mm		product family BERGCON	
ltr	ec'n no	dr	date	tolerances unless otherwise specified		mm		title MINI-LATCH POLARIZED S.R.HOUSING	
A	H88078	CVE	89.01.12	angles	linear	.X	±0.3	scale 1:1	
B	F00405	VIB	00.05.16	±2°		.XX	±0.15	dwg no 71627	
C	F05-0235	DLE	05.08.25			.XXX	±0.05	sheet 1 of 1 size A3	
D	F05-0286	DLE	05.11.07	dr	D LEGRAND			type CUSTOMER Drawing	
E	F06-0218	DLE	06.07.11	enr	P NIZZI				
F	F07-0226	LMU	07.06.26	chr	P NIZZI				
G	B-14321	LMU	13.03.21	appd	P NZ				
sheet index		revision sheet							



FCIconnect.com

Copyright FCI