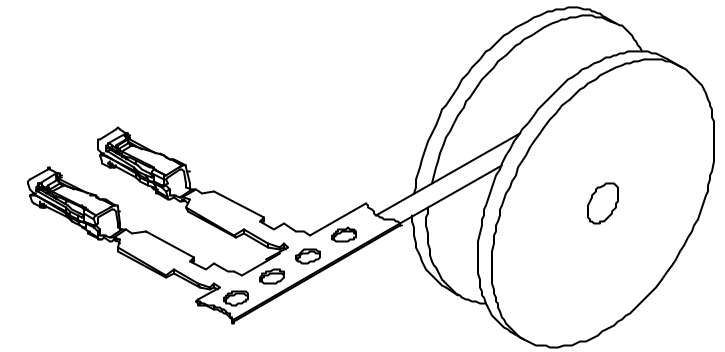
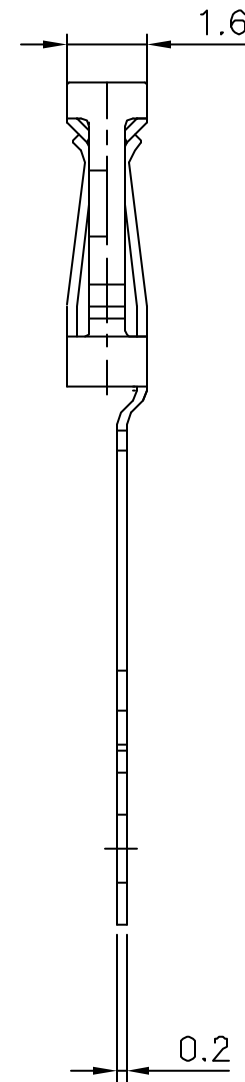
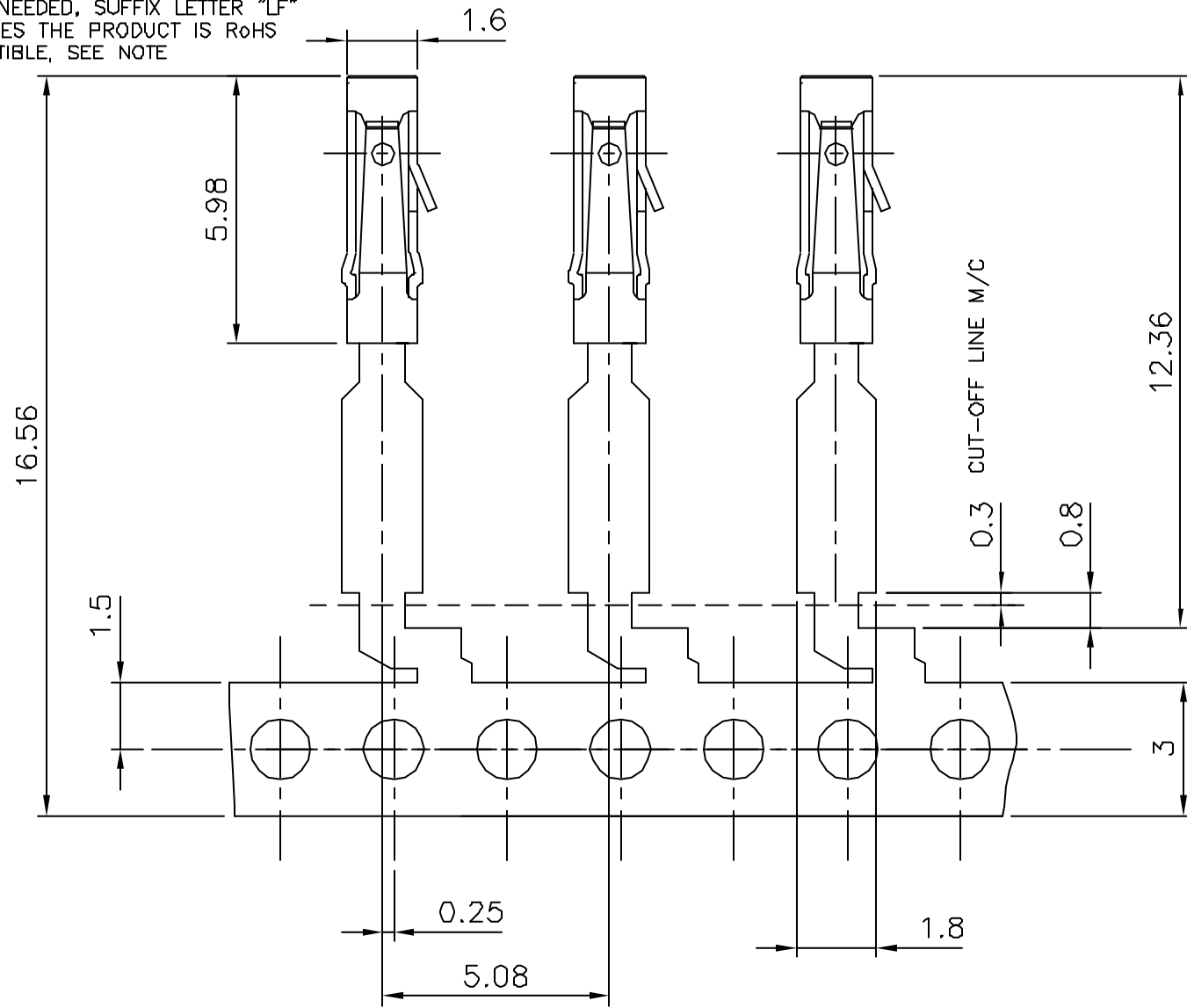


PRODUCT NUMBER	QUANTITY PER REEL	PACKAGING
73348-Y01(LF)	15000	CARDBOARD REEL

WHEN NEEDED, SUFFIX LETTER "LF" INDICATES THE PRODUCT IS RoHS COMPATIBLE, SEE NOTE



REELING AFTER STAMPING

NOTE:

MATERIAL: PHOSPHOR BRONZE, EXTRA HARD
RoHS COMPATIBLE PRODUCT SPECIFICATIONS

- a - PLATING:
- "LF" MEANS THE PRODUCT IS LEAD-FREE, 2µm MINIMUM MATTE TIN OVER 1.27µm MINIMUM NICKEL UNDERPLATE.
- b - LABELING:
- MEETS PACKAGING SPECS AS PER GS-14-920
- c - LEGAL STATEMENT: SEE GS-22-008

73348-3XXLF	0.76µm GOLD	Sn	0.3N MIN
			0.6N MAX
73348-4XXLF	5µm Sn	Sn	0.3N MIN
			0.6N MAX
73348-3XX	0.76µm GOLD	SnPb	0.3N MIN
			0.6N MAX
73348-4XX	5µm SnPb	SnPb	0.3N MIN
			0.6N MAX
PLATING CODE	CONTACT AREA	SOLDER TAIL	WITHDRAWAL FORCE USING SQUARE PIN
	PLATING THICKNESS OVER 1.27µm Ni		0.61

mat'l. code	surface	tolerance	projection	product family
SEE NOTES	ISO 1302	ISO 416 ISO 1101		DUFLEX
Ltr	ecr	no	dr	date
D	FD4-0374	DLE	D4.11.18	
E	FO8-D203	DLE	D6.06.20	
F	F07-027	LMU	D7.12.08	
angles	Linear	±0.13	mm	title
			scale 10:1	DUFLEX TERM.
				WITHOUT IDC
dr	D LEGRAND	0708.06.20		dwg no
enr	P NIZZI	06.06.20		73348
chr	P NIZZI	06.06.20		sheet 1 of 1
appd	P NZ	06.06.20		size
				A3
sheet index	revision sheet			type
				CUSTOMER Drawing