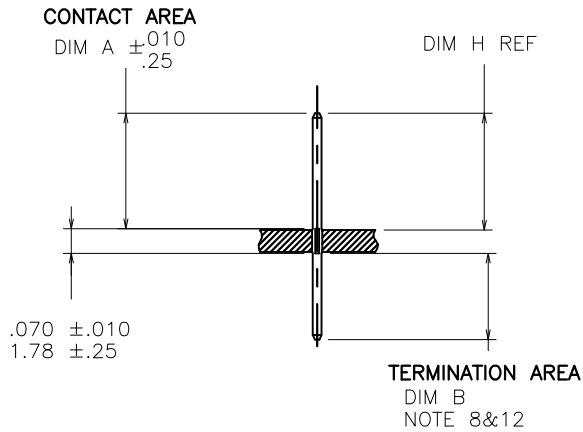
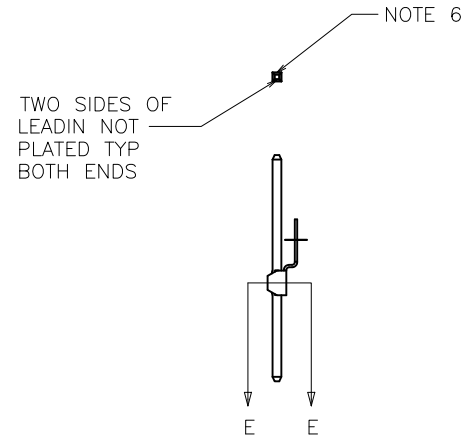
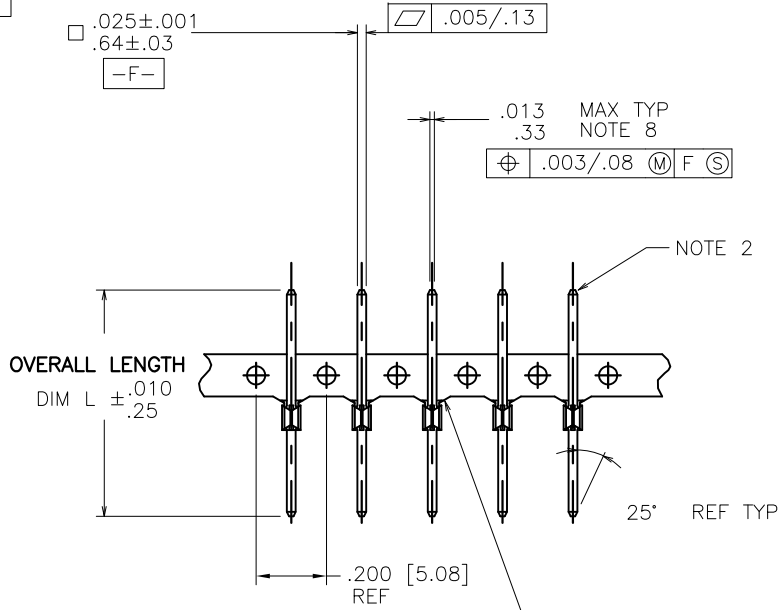


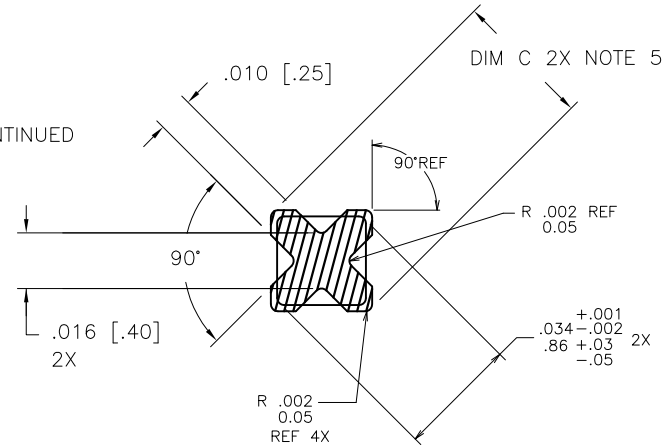
PRODUCT NUMBER
SEE TABLE



mat'l. code		surface		tolerance		projection		product family	
SEE NOTE 1		ASME Y14.5		ASME Y14.5		INCH/MM		PIN PRODUCTS	
ltr	ec'n no	dr	date	angles	fin	fin	scale	title	
BC	V08-0353	HTB	2008-08-14		XX*01/X*3		1:1	BERGPIN® .200"[5.08]cc	
BD	V08-0496	HTB	2008-11-12		XXX*005/XXX*13			.039"[0.99] DIA. STAR	
BE	V10-0386	HTB	2010-10-20	0° ±2'	XXXX*0020/XXX*051			dwg no	
								sheet 1 of 5 size	
AY	V01279	LSS	2000-05-25	enfr	M. CORNMAN			75401 A4	
BA	V05-0399	HTB	2005-04-28	chr	K.D. PATEL			FCI	
BB	V06-0684	HTB	2006-07-21	apdd	E. IORFIDO			type CUSTOMER Drawing	
sheet	revision	BE	BE	BE	BE	BE			
index	sheet	1	2	3	4	5			

PRODUCT NUMBER NOTE 14	PLATING	UNDERPLATING
75401-YYY	30μ" [0.76μ] MIN Au	50μ" [1.27μ] MIN Ni
75401-YYLFL		
75403-YYY	50μ" [1.27μ] MIN Au	50μ" [1.27μ] MIN Ni
75403-YYLFL		
75404-YYY	120μ" [3.05μ] MIN 93/7 SnPb	50μ" [1.27μ] MIN Ni
75404-YYLFL	100μ" [2.54μ] MIN Sn (NOTE 15)	50μ" [1.27μ] MIN Ni
75405-YYY	30μ" [0.76μ] MIN GXT™	50μ" [1.27μ] MIN Ni
75405-YYLFL		
75406-YYY	15μ" [0.38μ] MIN GXT™	50μ" [1.27μ] MIN Ni
75406-YYLFL		
75409-YYY	15μ" [0.38μ] MIN Au	50μ" [1.27μ] MIN Ni
75409-YYLFL		

DISCONTINUED



SCALE 10/1
WITHOUT FERRULE

NOTES:

- PIN MATERIAL: PHOS-BRONZE 3/4 HARD ASTM B-159-66.
- BURNISH MARKS ON PIN PERMITTED. BURR .003 [0.08] MAX TYP BULGE .0005 [0.013] MAX TYP.
- SEE PRODUCT SPECIFICATION BUS-12-064 FOR P.C. BOARD HOLE DIAMETER AND P.C. BOARD HOLE PLATING INFORMATION.
- FOR MANUFACTURING PURPOSES ONLY.
- THE .039+.001, -.002 [0.99+.03, -.05] FEATURE SHALL BE CONCENTRIC TO THE WIRE DIAGONAL WITHIN .004 [0.10] TIR.
- .002 [0.05] R MAX TYP 4 PLACES ON WIRE WRAP PORTION OF PIN.
- USE FIRST TWO DIGITS OF "H" DIMENSION FOR DASH NUMBER OF PUNCH FROM MACHINE EPL;
PUNCH P/N FROM EPL
EXAMPLE:
75402-001 "H" .062 [1.57]. BD,=.235
BP161A-XXXXXX-023
BP151 -YYYYY-023
BP171 -ZZZZZ-023
- IF "B" DIM. IS .235 [5.96] OR LESS, THE MAX. FLAT MAY BE .016 [0.41].
- TOLERANCE: +.001 [0.03], -.002 [0.05].
- TOLERANCE: ±.001 [0.03].
- NOT RECOMMENDED FOR BP 161 STYLE MACHINES.
- IF DIMENSION B IS LESS THAN .030 [0.76], THE MAX FLAT MAY BE .016 [0.41] REF WITH .010 [0.25] LONG LEAD-IN ANGLES.

- CENTER LINE OF TERMINAL MUST BE IN A TRUE POSITION WITHIN .015 [0.38] DIA. WITH RESPECT TO THE HOLE AXIS AFTER INSERTION IN PC BOARD.
- ADD AN LF SUFFIX TO PART NUMBERS FOR PRODUCT THAT MEETS EUROPEAN UNION DIRECTIVES AND OTHER COUNTRY REGULATIONS AS DESCRIBED IN GS-22-008.
- THIS PRODUCT HAS 100% TIN PLATING IN THE INTERFACE AND HAS NOT BEEN TESTED FOR WHISKER GROWTH IN ALL INTERCONNECT ENVIRONMENTS.

mat'l. code		surface		tolerance		projection		product family	
SEE NOTE 1		ASME Y14.5		ASME Y14.5		INCH/MM		PIN PRODUCTS	
ltr	ecn no	dr	date	tolerances unless otherwise specified		scale 1:1		title	
BE				angles	XX*01/XX*3			BERGPIN® .200"[5.08]cc	
				0° ±2'	XXX*005/XX*13			.039"[0.99] DIA. STAR	
					XXXX*0020/XXX*051			dwg no	
		dr	M. CORNMAN	1990-02-22				sheet 2 of 5	
		engr	K.D. PATEL	1990-02-22				size	
		chr	E. IORFIDO	1992-12-21				75401	
		appd	E. IORFIDO	1992-12-21				A4	
sheet index	revision sheet							type	
								CUSTOMER Drawing	



PRODUCT NUMBER NOTE 14	CONTACT AREA DIM A	TERMINATION AREA DIM B	DIM C		DIM H FOR .062 BOARD 1.57	DIM H FOR .093 BOARD 2.36	DIM H FOR .125 BOARD 3.18	OVERALL LENGTH DIM L	CUSTOMER RESTRICTED
7540X-001	.230/5.84	.045/1.14	.039/.99	NOTE 9	.235/5.97	.220/5.59	.205/5.21	.345/8.76	NO
7540X-002	.265/6.73	.045/1.14	.039/.99	NOTE 9	.270/6.86	.255/6.48	.240/6.10	.380/9.65	NO
7540X-003	.345/8.76	.045/1.14	.039/.99	NOTE 9	.350/8.89	.335/8.51	.320/8.13	.460/11.68	NO
7540X-004	.400/10.16	.045/1.14	.039/.99	NOTE 9	.405/10.29	.390/9.91	.375/9.53	.515/13.08	NO
7540X-005	.415/10.54	.045/1.14	.039/.99	NOTE 9	.420/10.67	.405/10.29	.390/9.91	.530/13.46	NO
7540X-006	.435/11.05	.045/1.14	.039/.99	NOTE 9	.440/11.18	.425/10.80	.410/10.41	.550/13.97	NO
7540X-007	.465/11.81	.045/1.14	.039/.99	NOTE 9	.470/11.94	.455/11.56	.440/11.18	.580/14.73	NO
7540X-008	.515/13.08	.045/1.14	.039/.99	NOTE 9	.520/13.21	.505/12.83	.490/12.45	.630/16.00	NO
7540X-009	.570/14.48	.045/1.14	.039/.99	NOTE 9	.575/14.61	.560/14.22	.545/13.84	.685/17.40	NO
7540X-010	.585/14.86	.045/1.14	.039/.99	NOTE 9	.590/14.99	.575/14.61	.560/14.22	.700/17.78	NO
7540X-011	.635/16.13	.045/1.14	.039/.99	NOTE 9	.640/16.26	.625/15.88	.610/15.49	.750/19.05	NO
7540X-012	.655/16.64	.045/1.14	.039/.99	NOTE 9	.660/16.76	.645/16.38	.630/16.00	.770/19.56	NO
7540X-013	.745/18.92	.045/1.14	.039/.99	NOTE 9	.750/19.05	.735/18.67	.720/18.29	.860/21.84	NO
7540X-014	.265/6.73	.245/6.22	.039/.99	NOTE 9	.270/6.86	.255/6.48	.240/6.10	.580/14.73	NO
7540X-015	.345/8.76	.245/6.22	.039/.99	NOTE 9	.350/8.89	.335/8.51	.320/8.13	.660/16.76	NO
7540X-016	.400/10.16	.245/6.22	.039/.99	NOTE 9	.405/10.29	.390/9.91	.375/9.53	.715/18.16	NO
7540X-017	.465/11.81	.245/6.22	.039/.99	NOTE 9	.470/11.94	.455/11.56	.440/11.18	.780/19.81	NO
7540X-018	.570/14.48	.245/6.22	.039/.99	NOTE 9	.575/14.61	.560/14.22	.545/13.84	.885/22.48	NO
7540X-019	.625/15.88	.245/6.22	.039/.99	NOTE 9	.630/16.00	.615/15.62	.600/15.24	.940/23.88	NO
7540X-020	.655/16.64	.245/6.22	.039/.99	NOTE 9	.660/16.76	.645/16.38	.630/16.00	.970/24.64	NO
7540X-021	.265/6.73	.355/9.02	.039/.99	NOTE 9	.270/6.86	.255/6.48	.240/6.10	.690/17.53	NO
7540X-022	.345/8.76	.355/9.02	.039/.99	NOTE 9	.350/8.89	.335/8.51	.320/8.13	.770/19.56	NO
7540X-023	.400/10.16	.355/9.02	.039/.99	NOTE 9	.405/10.29	.390/9.91	.375/9.53	.825/20.96	NO
7540X-024	.465/11.81	.355/9.02	.039/.99	NOTE 9	.470/11.94	.455/11.56	.440/11.18	.890/22.61	NO
7540X-025	.570/14.48	.355/9.02	.039/.99	NOTE 9	.575/14.61	.560/14.22	.545/13.84	.995/25.27	NO
7540X-026	.625/15.88	.355/9.02	.039/.99	NOTE 9	.630/16.00	.615/15.62	.600/15.24	1.050/26.67	NO
7540X-027	.655/16.64	.355/9.02	.039/.99	NOTE 9	.660/16.76	.645/16.38	.630/16.00	1.080/27.43	NO
7540X-028	.305/7.75	.035/0.89	.039/.99	NOTE 9	.310/7.87	.295/7.49	.280/7.11	.410/10.41	NO
7540X-029	.755/19.18	.345/8.76	.039/.99	NOTE 9	.760/19.30	.745/18.92	.730/18.54	1.170/29.72	NO
7540X-030	.710/18.03	.345/8.76	.039/.99	NOTE 9	.715/18.16	.700/17.78	.685/17.40	1.125/28.58	NO
7540X-031	.545/13.84	.198/5.03	.039/.99	NOTE 9	.550/13.97	.535/13.59	.520/13.21	.813/20.65	NO
7540X-032									DISCONTINUED
7540X-033	.335/8.51	.375/9.53	.039/.99	NOTE 9	.340/8.64	.325/8.26	.310/7.87	.780/19.81	NO
7540X-034	.535/13.59	.045/1.14	.039/.99	NOTE 9	.540/13.72	.525/13.34	.510/12.95	.650/16.51	NO
7540X-035	.560/14.22	.260/6.60	.039/.99	NOTE 9	.565/14.35	.550/13.97	.535/13.59	.890/22.61	NO

A

A

B

B

mat'l. code SEE NOTE 1		surface ASME Y14.5	tolerance ASME Y14.5	projection 	product family PIN PRODUCTS
ltr	ecr no	dr	date	tolerances unless otherwise specified	title
BE				angles XX+01/XX+3 XXX+005/XXX+13	BERGPIN® .200"[5.08]cc .039"[0.99] DIA. STAR
				0' ±2' XXXX+0020/XXX+051	INCH/MM scale 1:1
		dr	M. CORNMAN	1990-02-22	dwg no
		enrg	K.D. PATEL	1990-02-22	75401
		chr	E. IORFIDO	1992-12-21	sheet 3 of 5
		appd	E. IORFIDO	1992-12-21	size A4
sheet index	revision sheet				type CUSTOMER Drawing



PRODUCT NUMBER NOTE 14	CONTACT AREA DIM A	TERMINATION AREA DIM B	DIM C	DIM H FOR .062 1.57 BOARD	DIM H FOR .093 2.36 BOARD	DIM H FOR .125 3.18 BOARD	OVERALL LENGTH DIM L	CUSTOMER RESTRICTED
7540X-036	.510/12.95	.381/9.68	.039/.99 NOTE 9	.515/13.08	.500/12.70	.485/12.32	.961/24.41	NO
7540X-037	.325/8.26	.101/2.57	.039/.99 NOTE 9	.330/8.38	.315/8.00	.300/7.62	.496/12.60	NO
7540X-038	.595/15.11	.330/8.38	.039/.99 NOTE 9	.600/15.24	.585/14.86	.570/14.48	.995/25.27	NO
7540X-039	.755/19.18	.065/1.65	.039/.99 NOTE 9	.760/19.30	.745/18.92	.730/18.54	.890/22.61	NO
7540X-040	.315/8.00	.395/10.03	.039/.99 NOTE 9	.320/8.13	.305/7.75	.290/7.37	.780/19.81	NO
7540X-041	.230/5.84	.080/2.03	.039/.99 NOTE 9	.235/5.97	.220/5.59	.205/5.21	.380/9.65	NO
7540X-042	.870/22.10	.045/1.14	.039/.99 NOTE 9	.875/22.23	.860/21.84	.845/21.46	.985/25.02	NO
7540X-043	.504/12.80	.329/8.36	.039/.99 NOTE 9	.509/12.80	.494/12.55	.479/12.17	.900/22.86	NO
7540X-044	.324/8.23	.056/1.42	.039/.99 NOTE 9	.329/8.36	.314/7.98	.299/7.60	.450/11.43	NO
7540X-045	.499/12.68	.056/1.42	.039/.99 NOTE 9	.504/12.80	.489/12.42	.474/12.04	.625/15.88	NO
7540X-046	.430/10.92	.535/13.59	.039/.99 NOTE 9	.435/11.05	.420/10.67	.405/10.29	1.035/26.29	NO
7540X-047	.375/9.53	.070/1.78	.039/.99 NOTE 9	.380/9.65	.365/9.27	.350/8.89	.515/13.08	NO
7540X-048	.375/9.53	.275/6.99	.039/.99 NOTE 9	.380/9.68	.365/9.27	.350/8.89	.720/18.29	NO
7540X-049	.545/13.84	.070/1.78	.039/.99 NOTE 9	.550/13.97	.535/13.59	.520/13.21	.685/17.40	NO
7540X-050	.313/7.95	.317/8.05	.039/.99 NOTE 9	.318/8.08	.303/7.70	.288/7.32	.700/17.78	NO
7540X-051	.320/8.13	.045/1.14	.039/.99 NOTE 9	.325/8.26	.310/7.87	.295/7.49	.435/11.05	NO
7540X-052	.620/15.75	.590/14.99	.039/.99 NOTE 9	.625/15.88	.610/15.49	.595/15.11	1.280/32.51	NO
7540X-053	.245/6.22	.045/1.14	.039/.99 NOTE 9	.250/6.35	.235/5.97	.220/5.59	.360/9.14	NO
7540X-054	.623/15.82	.270/6.86	.039/.99 NOTE 9	.628/15.95	.613/15.57	.598/15.19	.963/24.46	NO
7540X-055	.684/17.37	.046/1.17	.039/.99 NOTE 9	.689/17.50	.674/17.12	.659/16.74	.800/20.32	NO
7540X-056	.295/7.49	.187/4.75	.039/.99 NOTE 9	.300/7.62	.285/7.24	.270/6.86	.552/14.02	NO
7540X-057	.785/19.94	.045/1.14	.039/.99 NOTE 9	.790/20.07	.775/19.69	.760/19.30	.900/22.86	NO
7540X-058	.747/18.97	.518/13.16	.039/.99 NOTE 9	.752/19.10	.737/18.72	.722/18.34	1.335/33.91	NO
7540X-059	.230/5.84	.130/3.30	.039/.99 NOTE 9	.235/5.97	.220/5.59	.205/5.20	.430/10.99	NO
7540X-060	.400/10.16	.440/11.18	.039/.99 NOTE 9	.405/10.29	.390/9.91	.375/9.53	.910/23.11	NO
7540X-061	.280/7.11	.192/4.88	.039/.99 NOTE 9	.285/7.24	.270/6.86	.255/6.48	.542/13.77	NO
7540X-062	.280/7.11	.085/2.16	.039/.99 NOTE 9	.285/7.24	.270/6.86	.255/6.48	.435/11.05	NO
7540X-063	.100/2.54	.050/1.27	.039/.99 NOTE 9	.105/2.67	N/A	N/A	.220/5.59	NO
7540X-064	.380/9.65	.650/16.51	.038/.97 NOTE 10	.385/9.78	.370/9.40	.355/9.02	1.100/27.94	YES
7540X-065	.610/15.49	.030/.76	.038/.97 NOTE 10	.615/15.62	.600/15.24	.585/14.86	.710/18.03	YES
7540X-066	.822/20.88	.045/1.14	.039/.99 NOTE 9	.827/21.01	.812/20.63	.797/20.24	.937/23.80	NO
7540X-067	.940/23.88	.045/1.14	.039/.99 NOTE 9	.945/24.00	.935/23.75	.920/23.37	1.055/26.80	NO
7540X-068	.194/4.93	.042/1.07	.039/.99 NOTE 9	.196/4.98	.181/4.60	.165/4.19	.306/7.77	NO
7540X-069	.944/23.98	.041/1.04	.039/.99 NOTE 9	.948/24.08	.933/23.69	.917/23.29	1.055/26.80	NO
7540X-070	.650/16.51	.380/9.65	.039/.99 NOTE 9	.655/16.64	.640/16.26	.625/15.88	1.100/27.94	NO

NOTE 11

mat'l. code	SEE NOTE 1	surface	tolerance	projection	product family
ltr	ecr no	ASME Y14.5	ASME Y14.5		PIN PRODUCTS
BE	dr	tolerances unless otherwise specified			title
	date	angles	inches	INCH/MM	BERGPIN® .200"[5.08]cc
			0' ±2'	scale 1:1	.039"[0.99] DIA. STAR
		dr	M. CORNMAN		dwg no
		enr	K.D. PATEL		sheet 4 of 5 size
		chr	E. IORFIDO		75401
		appd	E. IORFIDO		A4
sheet index	revision sheet				type
					CUSTOMER Drawing



PRODUCT NUMBER NOTE 14	CONTACT AREA DIM A	TERMINATION AREA DIM B	DIM C	DIM H FOR .062 BOARD 1.57	DIM H FOR .093 BOARD 2.36	DIM H FOR .125 BOARD 3.18	OVERALL LENGTH DIM L	CUSTOMER RESTRICTED	
7540X-071	.610/15.49	.044/1.12	.039/.99 NOTE 9	.614/15.59	.599/15.21	.583/14.81	.724/18.39	NO	NOTE 11
7540X-072	.160/4.06	.030/.76	.039/.99 NOTE 9	.165/4.19	.150/3.81	.135/3.43	.260/6.60	NO	
7540X-073	1.094/27.79	.037/.94	.039/.99 NOTE 9	1.098/27.89	1.083/27.51	1.067/27.10	1.201/30.51	NO	NOTE 12
7540X-074	.216/5.49	.024/.61	.039/.99 NOTE 9	.220/5.59	.205/5.21	.190/4.83	.310/7.87	NO	
7540X-075	.650/16.51	.380/9.65	.038/.97 NOTE 10	.655/16.64	.640/16.26	.625/15.88	1.100/27.94	YES	
7540X-076	.295/7.49	.025/.64	.039/.99 NOTE 9	.300/7.62	.285/7.23	.270/6.85	.390/9.91	NO	
7540X-077	.428/10.87	.025/.64	.039/.99 NOTE 9	.433/10.99	.418/10.61	.403/10.23	.523/13.28	NO	
7540X-078	.530/13.46	.025/.64	.039/.99 NOTE 9	.535/13.58	.520/13.20	.505/12.82	.625/15.88	NO	
7540X-079	.595/15.11	.025/.64	.039/.99 NOTE 9	.600/15.24	.585/14.85	.570/14.47	.690/17.53	NO	
7540X-080	.665/16.89	.025/.64	.039/.99 NOTE 9	.670/17.01	.655/16.63	.640/16.25	.760/19.30	NO	
7540X-081	.368/9.35	.045/1.14	.039/.99 NOTE 9	.373/9.47	.358/9.09	.343/8.71	.483/12.27	NO	NOTE 12
7540X-082	.846/21.49	.045/1.14	.038/.97 NOTE 10	.851/21.61	.836/21.23	.821/20.85	.961/24.41	NO	
7540X-083	.519/13.18	.502/12.75	.039/.99 NOTE 9	.549/13.94	.534/13.56	.519/13.18	1.091/27.71	NO	
7540X-084	.630/16.00	.159/4.04	.039/.99 NOTE 9	.635/16.13	.620/15.75	.605/15.37	.859/21.82	NO	
7540X-085	.519/13.18	.171/4.34	.039/.99 NOTE 9	.524/13.31	.509/12.93	.494/12.55	.760/19.30	NO	
7540X-086	.926/23.52	.437/11.10	.039/.99 NOTE 9	.931/23.65	.916/23.27	.901/22.89	1.433/36.40	NO	
7540X-087	.230/5.84	.045/1.14	.037/.94 NOTE 10	.235/5.97	.220/5.59	.205/5.21	.345/8.76	NO	
7540X-088LF	.320/8.13	.045/1.14	.036/.91 NOTE 10	.325/8.26	.310/7.87	.295/7.49	.435/11.05	NO	

A

A

B

B

mat'l. code SEE NOTE 1		surface ASME Y14.5 <input checked="" type="checkbox"/> ASME Y14.5		tolerance tolerances unless otherwise specified		projection 		product family PIN PRODUCTS	
ltr	ecn no	dr	date	angles	inches	INCH/MM		title BERGPIN® .200"[5.08]cc .039"[0.99] DIA. STAR	
BE				0° ±2'	mm	scale 1:1		dwg no 75401	
						FCI		sheet 5 of 5 size A4	
								type CUSTOMER Drawing	
sheet index	revision sheet								