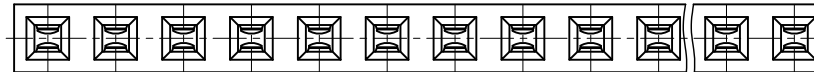


PRODUCT NUMBER  
75915-YXXXLF

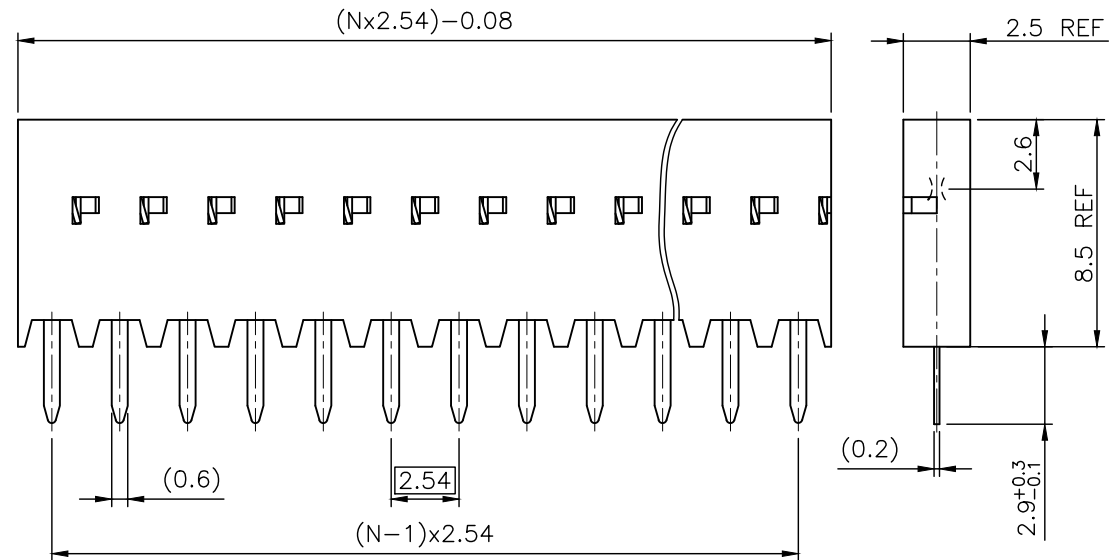
RoHS COMPATIBLE, SEE NOTE 6  
OPTIONAL LETTER.  
G: HIGH TEMPERATURE BLACK PRODUCT.  
H: HIGH TEMPERATURE GREY PRODUCT.  
NUMBER OF POSITIONS: 02 TO 50.

PLATING CODE  
3= 0.76µm GOLD ON CONTACT AREA.  
2µm MIN MATTE TIN ON TAIL.  
4= 2µm MIN MATTE TIN FULL PLATED  
  
8= 0.38µm GOLD ON CONTACT AREA.  
2µm MIN MATTE TIN ON TAIL.  
1.27µm Ni MIN UNDERPLATING

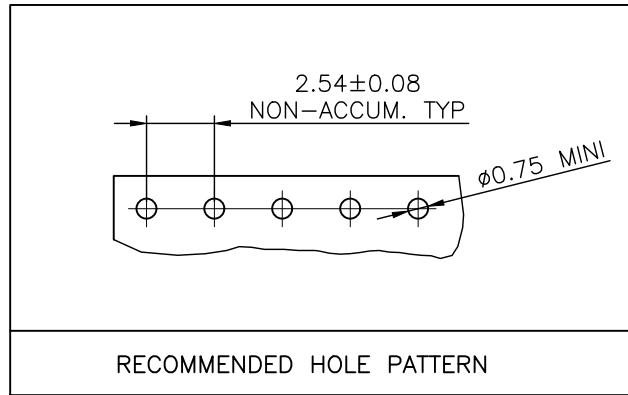


NOTES:

- 1 - HOUSING MAT'L: THERMOPLASTIC GLASS FILLED FLAME RETARDANT PER UL 94 V-0.  
LOW TEMPERATURE: COLOR BLUE.  
HIGH TEMPERATURE: COLOR GREY OR BLACK.
- 2 - TERMINAL MATERIAL: PHOSPHOR BRONZE.
- 3 - 2 UP TO 4 POSITIONS PRODUCT PACKED IN PLASTIC BOX.  
5 UP TO 50 POSITIONS PRODUCT PACKED IN TUBE.
- 4 - TO DETERMINE DIMENSIONS:  
N = NUMBER OF POSITIONS  
EXAMPLE: 8 POS: (N x 2.54) - 0.08 = 20.24 mm
- 5 - RoHS COMPATIBLE PRODUCT SPECIFICATIONS
  - a - PLATING:  
- "LF" MEANS THE PRODUCT IS LEAD-FREE,  
2µm MINIMUM MATTE TIN OVER 1.27µm  
MINIMUM NICKEL UNDERPLATE.
  - b - MANUFACTURING PROCESS COMPATIBILITY  
- THE HOUSING WILL WITHSTAND EXPOSURE TO  
260°C ±5°C SOLDER BATH TEMPERATURE FOR  
5 SECONDS IN A WAVE SOLDER APPLICATION  
WITH A 1.6mm MIN THICK CIRCUIT BOARD.
  - c - LABELING:  
- MEETS PACKAGING SPECS AS PER GS-14-920
  - d - LEGAL STATEMENT: SEE GS-47-0004
- 6 - HOLE PATTERN SEE NEXT SHEET.



mat'l. code SEE NOTE 1				surface ISO 1302 <input checked="" type="checkbox"/> ISO 406 ISO 1101		tolerance ISO 406 ISO 1101 ±0.3		projection mm scale 5:1		product family DUBOX	
ltr	ecn no	dr	date	tolerances unless otherwise specified		angles linear		mm		title BtB RECEPT. VERT SR TMT	
AD	F06-0204	DLE	06.06.20							dwg no 75915	
AE	F07-0109	DLE	07.01.16							sheet 1 of 2	
AF	F09-0030	LMU	09.03.16							size A3	
AG	B-19123	LMU	14.10.21	dr	D.LEGRAND	96.04.01			type CUSTOMER Drawing		
AH	F-45668	DDE	22.08.17	engr	P.NIZZI	96.04.01					
				chr	D.LEGRAND	96.04.01					
AC	F06-0150	DLE	06.03.17	appd	P.NIZZI	96.04.01					
sheet	revision	AH	D								
index	sheet	1	2								



Copyright FCI

mat'l. code SEE SHEET 1				surface ISO 1302 ✓		tolerance ISO 406 ISO 1101		projection mm		product family DUBOX	
ltr				ecn no		dr		date		title	
A	F04-0347	DLE	04.09.23	tolerances unless otherwise specified		±0.3		mm		BtB RECEPT.	
B	F05-0230	DLE	05.08.08	angles	linear			scale N/A		VERT SR TMT	
C	F06-0204	DLE	06.06.20	±2°							
D	F07-0109	DLE	07.01.16	dr	D.LEGRAND	04.09.23	FCI		dwg no		sheet 2 of - size
				enr	P.NIZZI	04.09.23			75915		A4
				chr	D.LEGRAND	04.09.23			CUSTOMER		Drawing
				appd	P.NIZZI	04.09.23					
sheet index	revision sheet										