

PRODUCT NUMBER
76745-YXX-XXLF

RoHS COMPATIBLE, SEE NOTE 8
TOTAL NB OF POS (04 TO 72 POS)
OPTION LETTER, SEE NOTE 6
PIN STYLE

PLATING
1 = 0.76µm GOLD/GXT,
3 = 2µm MIN MATTE TIN FULL PLATED
5 / 8 = 0.38µm GOLD/GXT
7 = GOLD FLASH FULL PLATED
1.27µm Ni MIN UNDERPLATING

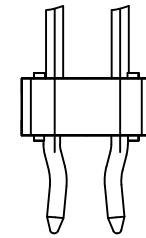
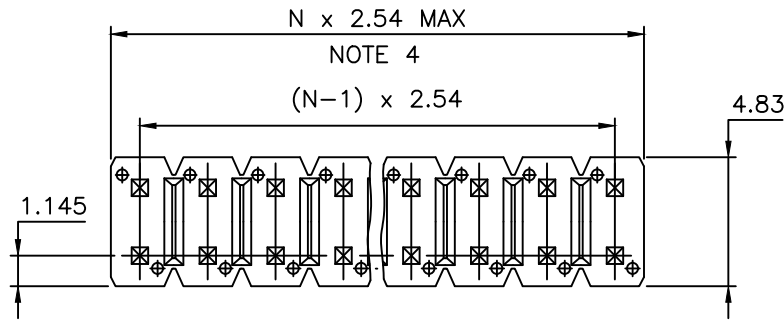
G = 0.76µm GOLD/GXT IN ZONE "A", 2µm MATTE TIN IN ZONE "B"
ALL OVER 1.27µm Ni MIN

NOTES:

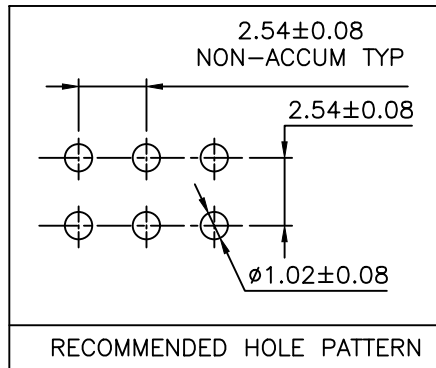
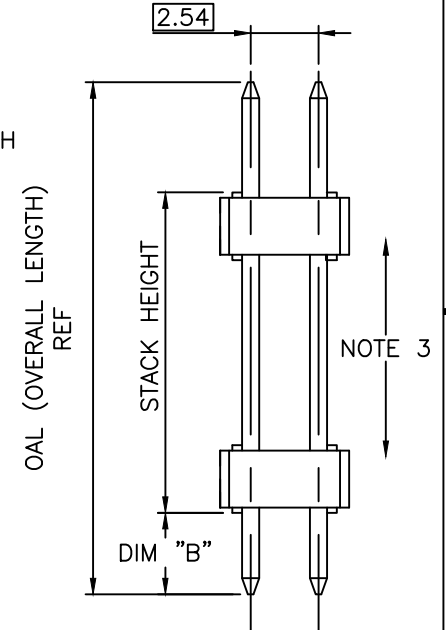
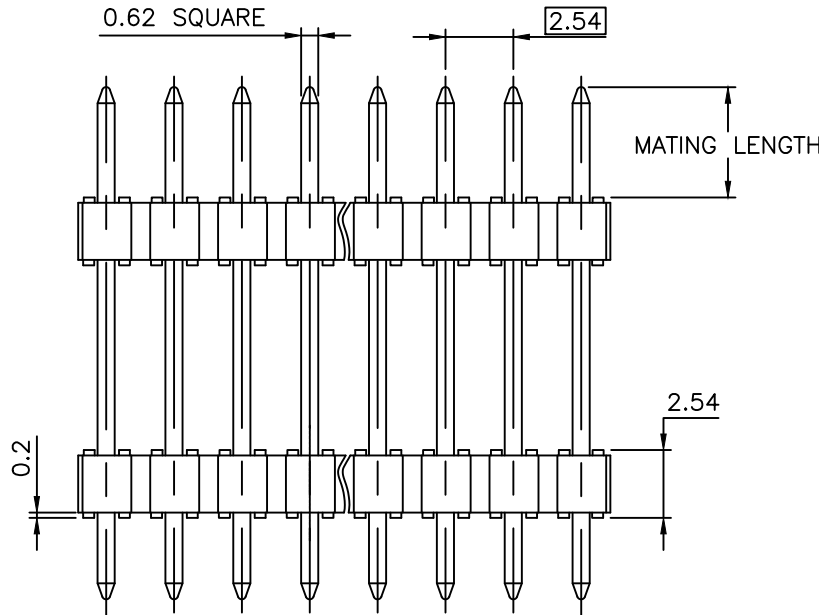
- HOUSING MAT'L : HIGH TEMPERATURE THERMOPLASTIC. UL94V-0 COLOR: BLACK.
- PIN MATERIAL : PHOSPHOR BRONZE.
- 12N MIN RETENTION IN EITHER DIRECTION.
- TO DETERMINE DIMENSIONS :
N = NUMBER OF POSITIONS PER ROW
EXAMPLE : 8 POS PER ROW, N x 2.54 = 20.32mm
- FOR STANDARD SELECTIVE GOLD PLATED PRODUCTS SEE DRAWINGS 54112 & 54122.
- OPTION LETTER :
- = STANDARD PACKAGING IN POLYBAG
V = POLYBAGS PACKAGING FOR CUSTOMER DEDICATED PART
B = TUBE WITH PICK UP CAP AS AVAILABLE
- RETENTION IS APPLIED TO TWO ADJACENT PINS AT EACH END OF THE PRODUCT SEE SCHEMA 1
OMIT FROM PRODUCT NUMBER IF THIS FEATURE IS NOT APPLICABLE

8. RoHS COMPATIBLE PRODUCT SPECIFICATIONS

- PLATING:**
- "LF" MEANS THE PRODUCT IS LEAD-FREE, 2µm MINIMUM MATTE TIN OVER 1.27µm MINIMUM NICKEL UNDERPLATE.
- MANUFACTURING PROCESS COMPATIBILITY**
- THE HOUSING WILL WITHSTAND EXPOSURE TO 260°C ±5°C SOLDER BATH TEMPERATURE FOR WITH A 1.6mm MIN THICK CIRCUIT BOARD.
- LABELING:**
- MEETS PACKAGING SPECS AS PER GS-14-920
- LEGAL STATEMENT:** SEE GS-47-0004



SCHEMA 1
TWO RETENTION PIN AT EACH END OF THE PRODUCT



mat'l. code		surface		tolerance		projection		product family	
SEE NOTES		ISO 1302 ✓		ISO 406 ISO 1101		mm		BSTIK	
ltr	ecn no	dr	date	tolerances unless otherwise specified		mm		title	
FF	B-19782	AMA	14.12.18	angles	x.x ±0.3	mm		HEADER STR,DR	
FG	B-20322	AMA	15.01.27	linear	x.xx ±0.13	scale 5:1		DOUBLE BODY	
FH	F-22479	BVE	15.11.12		x.xxx ±0.05			dwg no	
FK	F-28617	DDE	17.11.27	dr	NIZZI P	94.05.05	sheet 1 of 4		size
FL	F-37603	DDE	20.07.08	engr	COMPAGNON J	95.12.05	76745		A3
FM	F-40441	DDE	21.03.19	chr			type		Drawing
FN	F-40885	DDE	21.05.11	appd	JMC	95.12.05	CUSTOMER		
sheet	revision	FN	CF	F	A				
index	sheet	1	2	3	4				

APPLICATION SPECIFIC

PIN STYLE	MATING LENGTH ±0.2	STACK HEIGHT ±0.25	"B" ±0.25	("OAL") REF
01	8.71	19.76	2.65	31.12
02	6.87	16.5	3.05	26.42
03	6.87	13.0	3.63	23.5
04	5.6	6.5	2.88	14.98
05	5.51	8.0	3.05	16.56
06	6.61	11.3	3.05	20.96
07	5.58	10.3	2.54	18.42
08	5.81	7.7	3.05	16.56
09	5.72	5.08	2.54	13.34
10	6.9	10.45	2.71	20.06
11	11.2	9.5	2.8	23.5
13	9.07	6.3	3.05	18.42
14	5.33	21.5	2.48	29.31
17	7.5	23.45	3.05	34.0
19	9.5	10.45	3.55	23.5
21	11.96	18.5	3.2	33.66
23	9.0	25.9	3.05	37.95
24	8.87	14.5	3.05	26.42
25	9.84	11.43	9.85	31.12
28	6.6	8.25	2.8	17.65
29	9.1	15.7	3.2	28.0
34	8.0	12.0	3.0	23.0
36	10.55	7.5	10.53	28.58
40	7.0	6.5	3.06	16.56
55	13.0	20.0	3.2	36.2
57	11.78	5.08	3.23	20.06
58	23.0	8.5	5.5	36.97
59	9.0	18.2	9.0	36.2
62	9.2	9.3	3.5	22.0
68	6.75	8.0	2.9	17.65
71	6.8	5.2	2.69	14.69
79	9.95	39.0	3.05	52.0
80	5.68	7.0	2.3	15.0
88	10.8	8.0	3.7	22.5
AN	10.0	29.0	3.0	42.0
BD	11.7	13.5	3.21	28.41
BM	11.5	11.5	3.04	26.04
BT	8.5	35.0	8.5	52.0
CB	9.0	30.0	3.0	42.0
CD	9.24	12.0	9.24	30.48

SEE SHEET 3

APPLICATION SPECIFIC

PIN STYLE	MATING LENGTH ±0.2	STACK HEIGHT ±0.25	"B" ±0.25	("OAL") REF
CF	8.25	16.0	8.25	32.5
CG	6.0	40.0	6.0	52.0
CH	11.02	12.0	3.02	26.04
CN	7.08	5.60	7.08	19.77
CP	9.50	7.00	2.41	18.91
CT	11.0	6.0	11.0	28.0
CU	9.75	13.0	9.75	32.5
CV	9.44	13.00	3.60	26.04
CW	5.00	36.00	5.00	46.00
CX	10.00	26.00	6.00	42.00
CY	10.9	18.20	10.9	40.00
CZ	5.5	23.00	5.50	34.00
DA	13.00	14.50	6.50	34.00
DB	12.75	8.50	12.75	34.00
DC	SEE SHEET 3			
DE	6.00	34.00	6.00	46.00
DF	9.12	7.80	9.12	26.04
DG	3.50	43.00	3.50	50.00
DH	6.50	8.00	6.50	21.00
DJ	5.80	17.75	5.80	29.31
DK	5.40	9.00	2.90	17.30
DL	9.00	8.50	6.00	23.50
DM	7.40	23.70	3.30	34.40
DN	7.40	12.10	3.30	22.80
DP	8.00	16.80	5.40	30.20
DR	6.40	15.00	6.40	27.80
DS	7.00	29.00	7.00	43.00
DT	9.80	27.40	9.80	47.00
DU	9.50	36.50	9.50	55.50
DV	9.30	6.30	5.80	22.00
DW	5.30	40.40	3.30	49.00

SEE SHEET 3

SEE SHEET 3

SEE SHEET 3

APPLICATION SPECIFIC

PIN STYLE	MATING LENGTH ±0.2	STACK HEIGHT ±0.25	"B" ±0.25	("OAL") REF
DX	6.50	12.50	6.50	25.50
DY	6.50	9.50	6.50	22.50
EA	6.65	32.30	3.05	42.00
EB	2.66	15.00	5.84	23.50
EC	10.00	39.60	2.40	52.00
ED	5.40	57.20	2.40	65.00
EF	5.84	46.50	3.05	55.40
EG	5.60	20.00	5.64	31.24
EH	4.60	15.00	1.50	21.10
EJ	9.26	5.08	9.26	23.60
EK	6.00	7.50	6.00	19.50
EL	6.00	12.30	4.10	22.40
EM	9.00	9.30	6.21	24.51
EN	5.75	26.90	5.75	38.40
EP	6.50	36.40	6.50	49.40
ER	6.00	40.90	5.10	52.00
ES	5.50	16.50	3.50	25.50
ET	5.30	40.90	3.80	50.00
EU	6.50	30.00	3.50	40.00
EV	5.80	14.50	3.30	23.60
EW	14.68	33.02	6.35	54.05

A

B

C

D

A

B

C

D

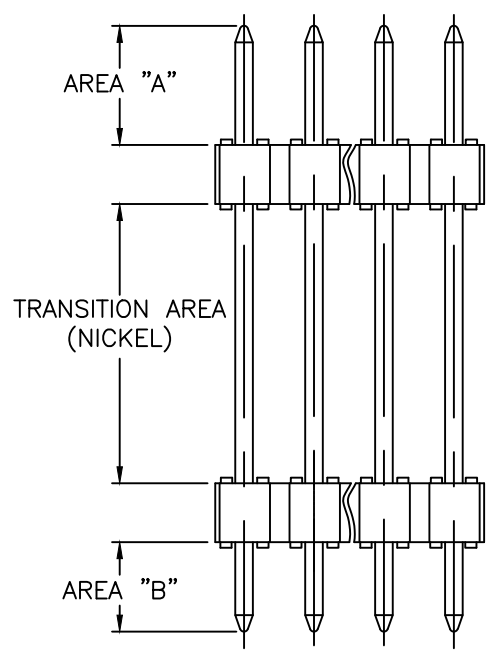


FCIconnect.com

Copyright FCI

mat'l. code		surface <input checked="" type="checkbox"/> ISO 1302 <input type="checkbox"/> ISO 406 <input type="checkbox"/> ISO 1101		tolerance		projection		product family BSTIK	
ltr		ecn no		dr		date		title	
CB		B-20322		AMA		15.01.27		HEADER STR,DR	
CC		F-28617		DDE		17.11.27		DOUBLE BODY	
CD		F-37603		DDE		20.07.08		dwg no	
CE		F-40441		DDE		21.03.19		sheet 2 of 4	
CF		F-40885		DDE		21.05.11		size	
				enr		JMC		95.08.28	
				chr				76745	
CA		B-1345		LMU		14.11.07		A3	
				appd		JMC		95.08.28	
sheet		revision						type	
index		sheet						CUSTOMER Drawing	





SPECIFICS PLATING AREA FOR PART NUMBERS :

- P/N 76745-1CH-10LF
- P/N 76745-1CH-18LF
- P/N 76745-579R24LF
- P/N 76745-579R30LF
- P/N 76745-1CU-20LF
- P/N 76745-1DF-26LF

AREA "A" & "B" : GOLD/GXT PLATING AREA

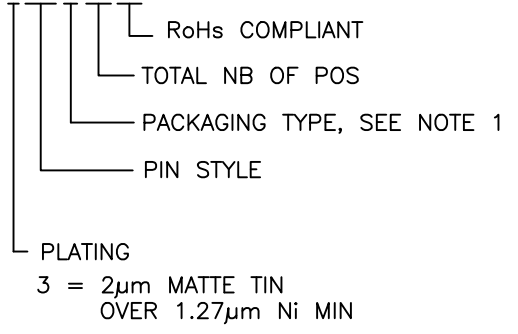


Copyright FCI

mat'l. code				surface ISO 1302 <input checked="" type="checkbox"/> ISO 406 <input type="checkbox"/> ISO 1101 <input type="checkbox"/>		tolerance tolerances unless otherwise specified		projection 		product family BSTIK	
ltr	ecn no	dr	date	tolerances unless otherwise specified		angles		mm		title HEADER STR,DR DOUBLE BODY	
A	F06-110	LMU	06.01.26			linear				dwg no	
B	F06-0196	LMU	06.06.20					scale		sheet 3 of 4	
C	F07-0266	J.CO	07.10.15							size A3	
D	F12-0023	LMU	12.06.06	dr	L.MULIN	06.01.31				76745	
E	F12-0090	JFA	12.12.07	enrg	J.COMPAGNON	06.01.31				type	
F	B-16665	LMU	14..01.06	chr							
				appd	JMC	06.01.31					
sheet index		revision sheet									

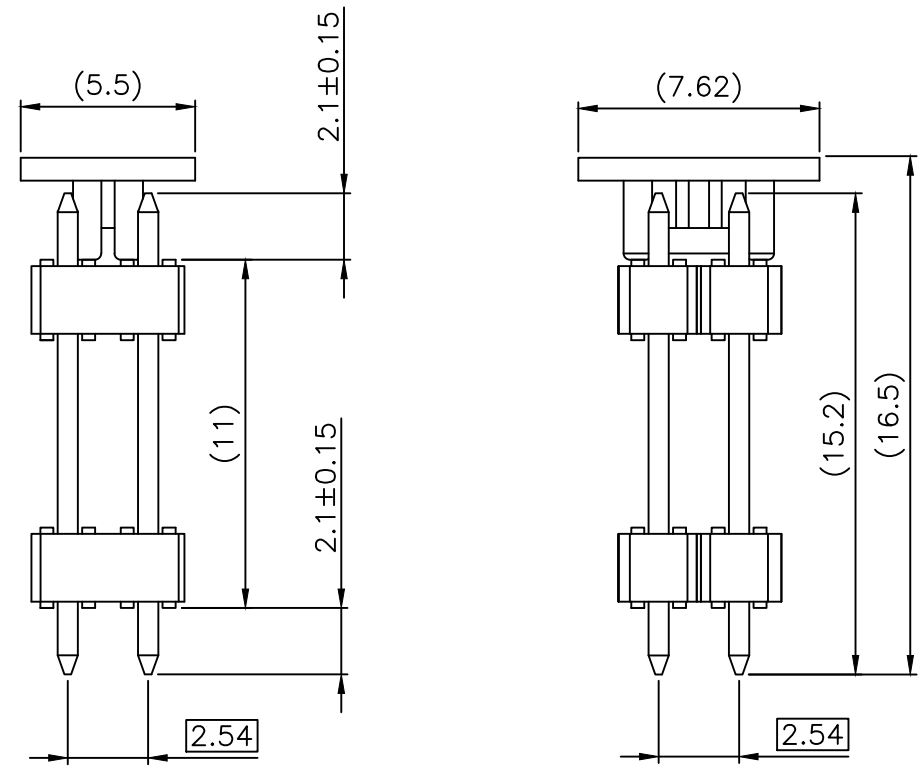
SPECIFIC PRODUCT NUMBER

76745-3DCA04LF



NOTES :

- 1. PACKAGING : A = TAPE & REEL PACKAGING WITH PICK UP CAP INSTALLED SEE TA 840
- 2. PRODUCT COMPATIBLE WITH REFLOW PROCESS. 255°C PEAK TEMPERATURE 10-40 SECONDES IN A CONVECTION, INFRA-RED OR VAPOR PHASE



Copyright FCJ

mat'l. code		surface ISO 1302 <input checked="" type="checkbox"/> ISO 406 <input type="checkbox"/> ISO 1101 <input type="checkbox"/>		tolerance tolerances unless otherwise specified		projection 		product family BSTIK	
ltr	ecn no	dr	date	angles		mm		title HEADER STR,DR DOUBLE BODY	
A	B-16665	LMU	14.01.06	linear		scale		dwg no 76745	
		dr	L.MULIN	13.02.18				sheet 4 of 4	
		enrg	J.COMPAGNON	13.02.18				size A3	
		chr	JMC	13.02.18				type CUSTOMER Drawing	
sheet index		revision sheet							