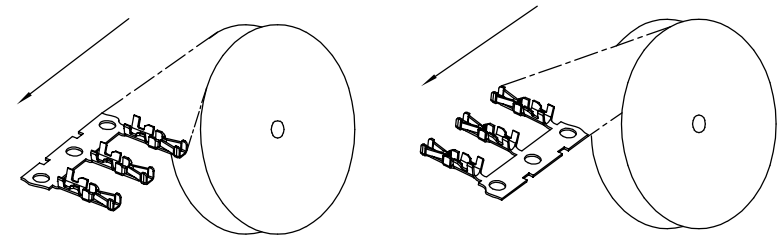


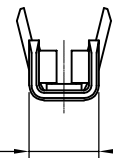
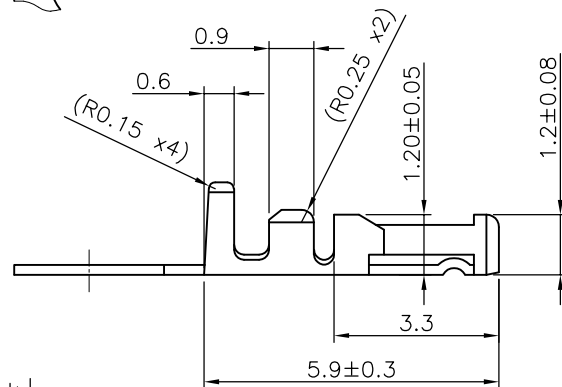
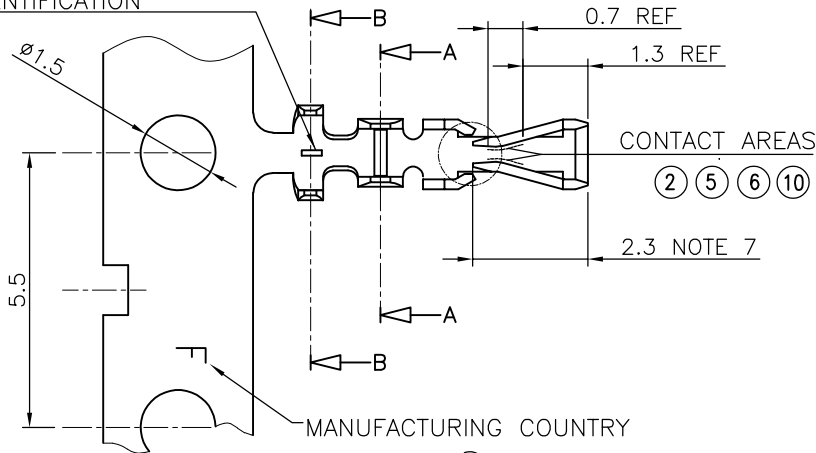
PRODUCT NO.	FINISH	REELING DIRECTION
77138-001LF	NOTE 2	FIG.1
77138-101LF	NOTE 6	FIG.1
77138-101VLF	NOTE 6	FIG.1
77138-201LF	NOTE 5	FIG.1
77138-001RELF	NOTE 2	FIG.2
77138-101RELF	NOTE 6	FIG.2
77138-T01LF	NOTE 10	FIG.1



UNREELING DIRECTION
FIG.1

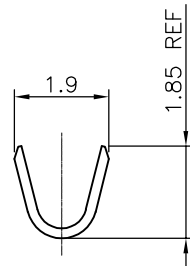
UNREELING DIRECTION
FIG.2

PROCESS IDENTIFICATION

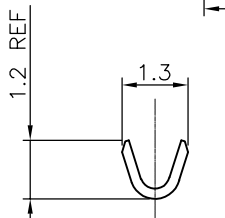


NOTES

- 1 MATERIAL : PHOSPHOR BRONZE
- ② FINISH : SELECTIVE GOLD PLATING 0.2μm MIN (CONTACT AREA) OVER 1.27μm Ni MIN
- 3 WIRE RANGE : AWG 26-30
- 4 GENERAL TOLERANCE : ±0.25
- ⑤ FINISH : SELECTIVE GOLD PLATING 0.5μm MIN (CONTACT AREA) OVER 1.27μm Ni MIN
- ⑥ FINISH : SELECTIVE GOLD PLATING 0.76μm MIN (CONTACT AREA) OVER 1.27μm Ni MIN
- 7 REMAINDER : - GOLD FLASH FOR ② ⑤ ⑥
- 2.0-5.0μm TIN FOR ⑩
- a- UNDERPLATING 1.27μm Ni MIN ALL OVER
- 8 THIS PRODUCT MEETS EUROPEAN UNION DIRECTIVES AND OTHER COUNTRY REGULATIONS AS DESCRIBED IN GS-47-0004
- 9 CRIMP SPECIFICATION AS PER GS-20-058
- ⑩ FINISH : 2.0-5.0μm TIN ON CONTACT AREA. UNDERPLATING 1.27μm Ni MIN ALL OVER
- 11 PRODUCT SPECIFICATION : GS-12-415



SECTION B-B



SECTION A-A

mat'l. code				surface		tolerance		projection		product family	
SEE NOTES				ISO 1302		ISO 406 ISO 1101		mm		MINITEK	
ltr	ecn no	dr	date	tolerances unless otherwise specified				title			
S	F-22846	AMA	15.12.21	angles	linear	.x ±0.25		CTW MINITEK			
T	F-39336	DDE	20.12.15			.xx ±0.15		AWG 26-30			
U	F-42417	DDE	21.09.22			.xxx ±0.05		scale 5:1			
				dr	L.MULIN	08.01.28		FCJ		sheet 1 of 1 size	
N	F12-0088	JCO	12.07.23	enfr	J.COMPAGNON	08.01.28		77138		A3	
P	B-19188	LMU	14.10.24	chr				type CUSTOMER		Drawing	
R	F-21704	AMA	15.08.18	appd	J.CO	08.05.05					
sheet index	revision sheet										