

PRODUCT NUMBER
77313-YYX-XXLF

PLATING SEE SHEET 2
PIN STYLE SEE SHEET 2

RoHS COMPATIBLE
SEE NOTE 7
TOTAL NB OF POSITIONS 04 TO 72
OPTION LETTERS : NOTE 8

PRODUCT NUMBER (BERGSTRIK PACKAGING)
77313-YYX-00LF

PLATING
1= 0.76µm GOLD/GXT ON CONTACT
AREA, 2µm TIN MIN ON TAILS

INDICATES THE PRODUCT IS RoHS
COMPATIBLE, SEE NOTE 6
POSITIONS PER REEL : 00=45,000 (BERGSTRIK)

8= 0.38µm GOLD/GXT ON CONTACT
AREA, 2µm TIN MIN ON TAILS
4= 2.0µm TIN MIN FULL PLATED
1.27µm NICKEL MIN UNDERLAYER FOR
ALL PLATING VERSIONS

PIN STYLE	MATING	SOLDER	OAL
01	5.84	2.41	10.8
02	5.84	3.42	11.8
18	5.84	3.05	11.43
22	7.75	3.05	13.35
24	6.75	2.9	12.2
27	6.6	2.66	11.8

NOTES:

- HOUSING MAT'L : HIGH TEMPERATURE THERMOPLASTIC. UL94V-0 COLOR: BLACK
- PIN MATERIAL : PHOSPHOR BRONZE
- BERGSTIK PRODUCT PACKAGED IN POLY BAGS. BERGSTRIK PRODUCT PACKAGED PER REELS.
- 9N MIN RETENTION IN EITHER DIRECTION
- TO DETERMINE DIMENSIONS :
N = NUMBER OF POSITIONS PER ROW
EXAMPLE : 8 POS N x 2.54 = 20.32mm
- FOR PIN IN PASTE SOLDERING APPLICATION :
FINISHED PLATED HOLE Ø1.02-Ø1.06
LAND Ø1.45 MAX
- RoHS COMPATIBLE PRODUCT SPECIFICATIONS

a - PLATING:

- "LF" MEANS THE PRODUCT IS LEAD-FREE, 2µm MINIMUM MATTE TIN OVER 1.27µm MINIMUM NICKEL UNDERPLATE

b - MANUFACTURING PROCESS COMPATIBILITY

- THE HOUSING WILL WITHSTAND EXPOSURE TO 260°C ±5°C SOLDER BATH TEMPERATURE FOR 5 SECONDS IN A WAVE SOLDER APPLICATION WITH A 1.6mm MIN THICK CIRCUIT BOARD
- REFLOW COMPATIBLE

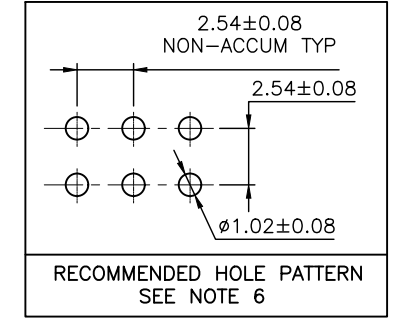
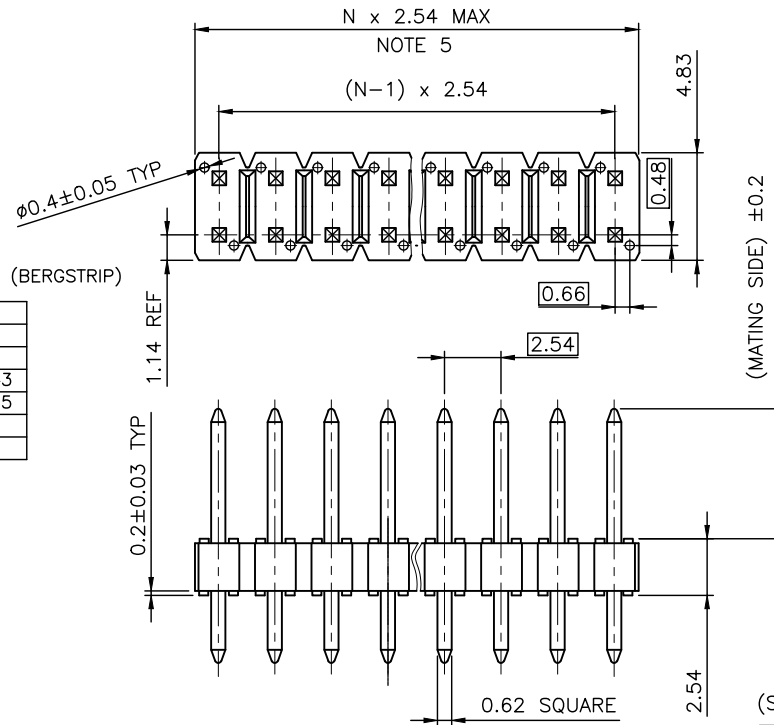
c - LABELING:

- MEETS PACKAGING SPECS AS PER GS-14-920

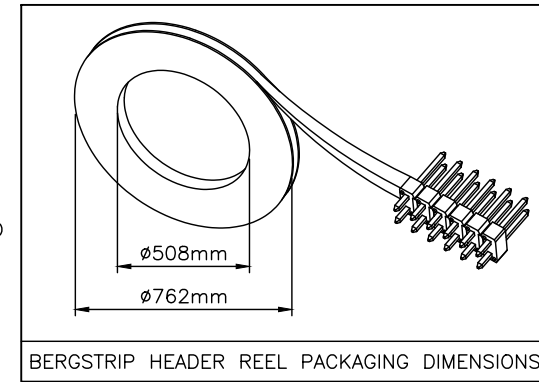
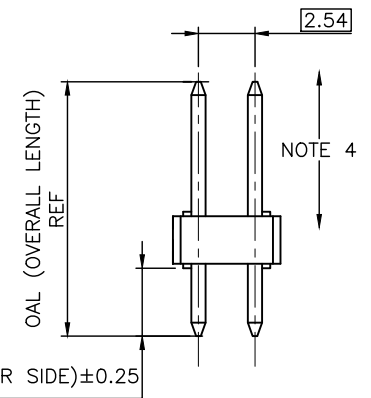
d - LEGAL STATEMENT: SEE GS-47-0004

8. OPTIONS :

- = POLYBAG PACK
- "A" = TAPE & REEL WITH CAP, AS AVAILABLE
- "T" = STANDARD TUBE PACKAGING
- "V" = BLIBOX PACK FOR CUSTOMER DEDICATED PART
- "AV" = TAPE & REEL WITH CAP FOR CUSTOMER DEDICATED PART
- "KV" = TAPE & REEL WITHOUT CAP FOR CUSTOMER DEDICATED PART
- "TV" = TUBE WITHOUT CAP FOR CUSTOMER DEDICATED PART
- "R" = RETENTION FEATURE PAGE 2
IF RETENTION FEATURE "R" AND TUBE PACKAGING "T" ARE BOTH REQUIRED
OPTIONAL LETTER "R" WILL APPEAR INSTEAD OF THE FIRST DASH
EXAMPLE : 77313R118T40LF
- "KR" = T&R WITHOUT CAP WITH RETENTION FEATURE



RECOMMENDED HOLE PATTERN
SEE NOTE 6



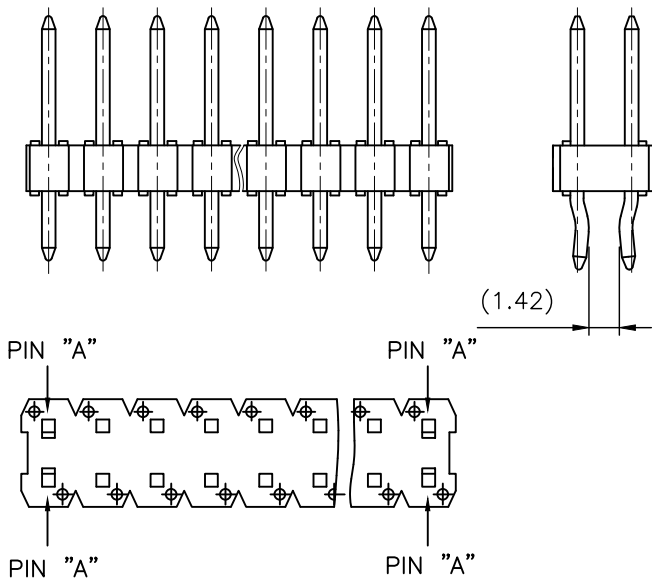
BERGSTRIK HEADER REEL PACKAGING DIMENSIONS

mat'l. code SEE NOTES		surface ISO 1302 ✓	tolerance ISO 406 ISO 1101	projection mm	product family BERGSTIK
ltr	ecn no	dr	date	tolerances unless otherwise specified	title UNSHR.HEADER STR DR TMT
CG	F-33925	LMU	19.06.14	angles linear .x ±0.3 .xx ±0.15 .xxx ±0.05	dwg no 77313
CH	F-40035	DDE	21.02.17		sheet 1 of 3
CJ	F-45578	DDE	22.08.05		size A3
CD	F-23581	AMA	16.03.22	dr D.LE 01.01.24	
CE	F-24865	AMA	16.08.31	enfr JM.C 01.01.24	
CF	B-26200	JCA	17.02.27	chr JM.C 01.01.24	
				appd JCO 01.01.24	
sheet	revision	CJ	BL	F	type CUSTOMER
index	sheet	1	2	3	Drawing

PLATING

- 1 = 0.76µm GOLD/GXT ON CONTACT AREA, 2µm TIN MIN ON TAIL
- 4 = 2µm TIN MIN FULL PLATED
- 5 = 0.25µm GOLD/GXT ON CONTACT AREA, 2µm TIN MIN ON TAIL
- 8 = 0.38µm GOLD/GXT ON CONTACT AREA, 2µm TIN MIN ON TAIL
- G = 0.76µm FULL GXT
- S = 0.38µm FULL GXT
- T = 2µm TIN MIN FULL PLATED INCLUDED PIN TYP
- 1.27µm NICKEL MIN UNDERLAYER FOR ALL PLATING VERSIONS

RETENTION OPTION



NOTES:

1. PART NUMBER 77313-YXXRXXLF
2. 4 PINS "A" USED FOR RETENTION
DIRECTION OF RETENTION SHOWN BY ARROWS
PIN "A" AT EACH END OF HEADER.
3. FOR RETENTION OPTION , SOLDER TAIL LENGTH TO BE
2.9 MIN UP TO 3.5 MAX.

PRODUCTS SPECIFICATIONS

PIN STYLE	MATING	SOLDER	OAL
01	5.84	2.41	10.8
02	5.84	3.42	11.8
03	5.72	5.09	13.35
04	5.72	7.64	15.90
05	5.72	10.14	18.40
15	8.51	2.55	13.6
18	5.84	3.05	11.43
19	12.83	3.03	18.4
20	15.37	3.04	20.95
22	7.75	3.05	13.35
24	6.75	2.9	12.2
27	6.6	2.65	11.8
29	17.46	3.50	23.5
38	5.84	3.82	12.20
46	8.08	2.98	13.6
52	9.5	3.05	15.09
57	8.46	3.05	14.05
58	14.47	3.05	20.06
83	20.46	3.0	26.0
85	10.5	2.9	15.9
87	6.98	3.05	12.57

PRODUCTS SPECIFICATIONS

PIN STYLE	MATING	SOLDER	OAL
89	6.93	5.00	14.47
90	6.75	4.05	13.34
91	5.60	10.21	18.4
92	5.65	12.76	20.95
93	6.00	4.81	13.35
94	9.65	2.90	15.09
95	8.90	3.60	15.09
96	20.83	3.05	26.42
97	14.70	3.70	20.95
98	6.00	6.00	14.47
99	8.05	2.25	12.8
AA	11.90	3.30	17.70
AB	7.00	1.50	11.00
AC	N/A		
AD	8.51	10.59	21.64
AE	3.30	3.30	9.14
AF	N/A		
AG	4.79	3.00	10.33
AH	2.67	3.43	8.64
AJ	8.00	8.00	18.54
AK	7.00	7.00	16.54
AL	5.90	1.60	10.05
AM	12.06	2.60	17.20
AN	11.50	1.90	15.94
AP	14.00	2.20	18.70
AR	8.96	2.10	13.60
AS	8.08	2.72	13.37

mat'l. code		surface ISO 1302		tolerance ISO 406 ISO 1101		projection mm		product family BERGSTIK	
ltr		ecn no		dr		date		title	
BE		B-18917		LMU		14.09.26		UNSHR.HEADER	
BF		B-19782		AMA		14.12.18		STR DR TMT	
BG		B-20321		AMA		15.01.26		dwg no	
BH		B-20596		AMA		15.03.30		sheet 2 of - size	
BJ		F-21455		AMA		15.07.20		77313 A3	
BK		F-22605		BVE		15.11.24		type	
BL		F-45578		DDE		22.08.05		CUSTOMER Drawing	
sheet		revision							
index		sheet							

PRODUCTS SPECIFICATIONS

PIN STYLE	MATING	SOLDER	OAL
AT	5.84	7.20	15.57
AU	10.95	3.05	16.55
AV	8.08	4.32	14.96
AW	8.08	3.81	14.43
AX	6.40	3.09	12.05
AY	5.08	2.79	10.40
BA	8.97	2.79	14.05
BB	6.48	3.05	12.05
BC	11.85	4.04	18.40
BD	26.00	3.05	31.55
BE	9.08	1.90	13.52
BF	9.90	2.65	15.09
BG	9.50	3.25	15.29
BH	5.72	16.14	24.40
BJ	4.00	2.69	9.23
BK	10.50	3.20	16.24
BL	18.29	3.05	23.88
BM	10.00	2.54	14.84
BN	13.21	3.00	18.75
BP	28.00	4.00	34.50
BR	16.60	2.90	22.04
BS	6.75	6.75	16.00

A

B

C

D

A

B

C

D



FCIconnect.com

Copyright FCI

mat'l. code				surface ISO 1302 <input checked="" type="checkbox"/>		tolerance ISO 406 ISO 1101		projection 		product family BERGSTIK		
A	F-22605	BVE	15.11.24	tolerances unless otherwise specified				mm		title UNSHR.HEADER STR DR TMT		
B	F-23264	AMA	16.02.16	angles	linear			scale N/A		dwg no 77313		
C	B-26200	JCA	17.02.27							sheet 3 of - size A3		
D	F-33925	LMU	19.06.14	dr	D.LE	01.01.24			type CUSTOMER		Drawing	
E	F-40035	DDE	21.02.17	enfr	JM.C	01.01.24						
F	F-45578	DDE	22.08.05	chr	JM.C	01.01.24						
				appd	JF.N	01.01.24						
sheet index		revision sheet										