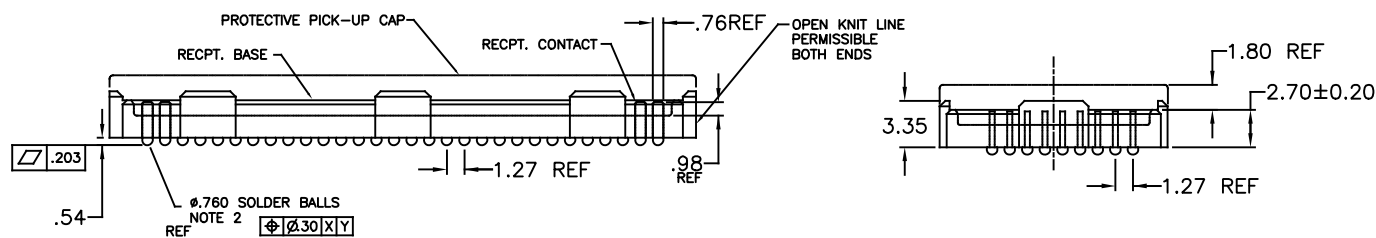
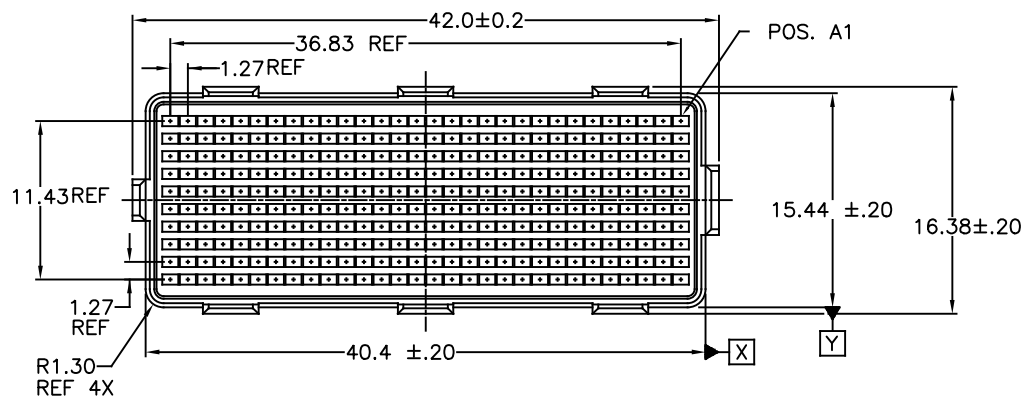
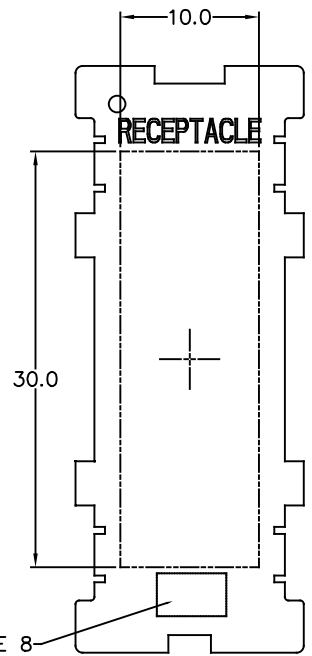


PRODUCT NUMBER  
SEE TABLE



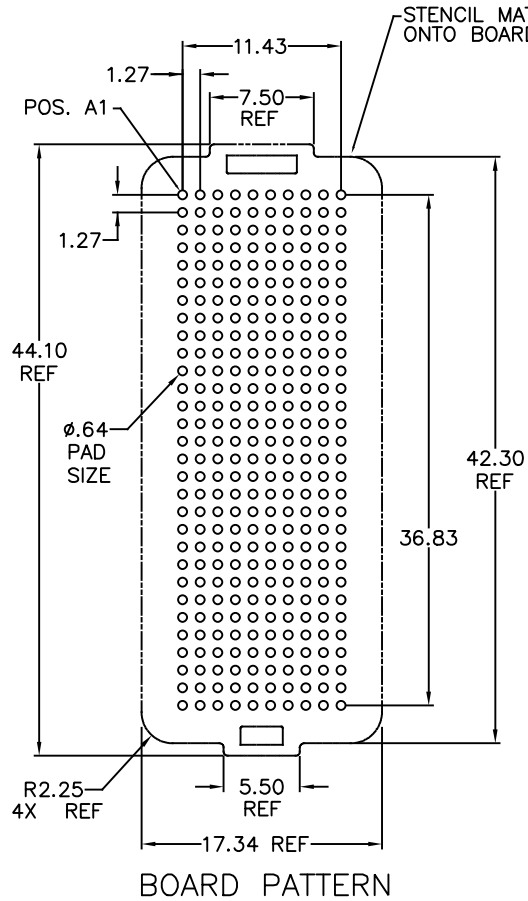
mat'l. code SEE-NOTE-1				surface ASMEY14.5		tolerance ASMEY14.5		projection MM		product family MEG-ARRAY			
ltr	ecn no	dr	date	tolerances unless otherwise specified						title 4MM-RECTACLE-ASSEMBLY. 10X30=300-POS			
L	V11-0028	HTB	2011-06-02	angles	line	.X±.3		MM		dwg no 84501			
M	V-012333	RE	2012-07-30			.XX±.10							
N	V-13453-1	DCH	2012-11-14	0°±2°		.XXX±.050		scale 1:1		sheet 1 of 4			
P	V-13453-1	DCH	2015-12-08	dr	D.WAUGHEN	1998-12-18		Amphenol FCi		A4			
R	V-18087	DCH	2014-6-25	enr	D.HARPER	1998-12-18							
S	V-26025	RWB	2017-02-06	chr	D.HARPER	1998-12-18							
T	V-40495	HCL	2021-03-26	appd	D.HARPER	1998-12-18							
sheet index		revision		T	T	T				type CUSTOMER Drawing			
		sheet		1	2	3							

PRODUCT NUMBER  
SEE TABLE

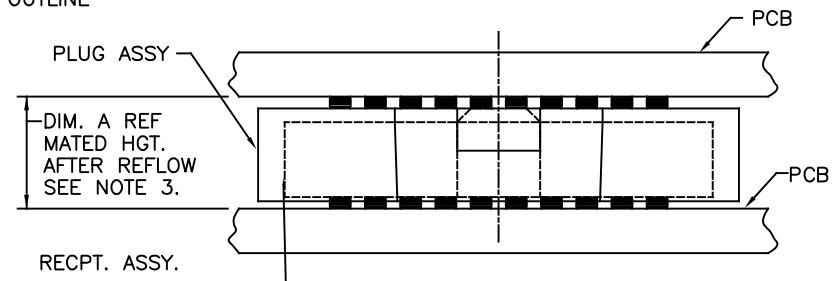


NOTE 8

FLAT AREA FOR PICK-UP CAP



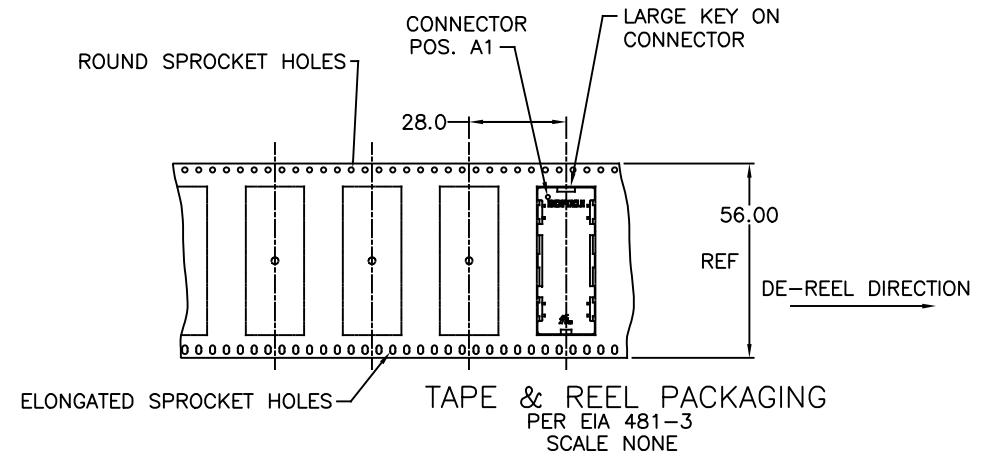
BOARD PATTERN



MATED HEIGHT TABLE		
DIM. A	PLUG ASSY. P/N	RECPT. ASSY. P/N
4.0	84500	84501
10.0	84578	84501

MATED HEIGHT AFTER REFLOW IS BASED ON  $\phi.64$ mm PAD (METAL-DEFINED) AND .13mm SOLDER PASTE STENCIL THICKNESS. SEE NOTE 3.

END VIEW - MATED CONNECTORS SCALE NONE




mat'l. code SEE-NOTE-1		surface ASMEY14.5	tolerance ASMEY14.5	projection 	product family MEG-ARRAY
ltr	ecn no	dr	date	title 4MM-RECPTACLE-ASSEMBLY. 10X30=300-POS	
T				MM	
				scale 1:1	
		dr	D.WAUGHEN 1998-12-16	Amphenol FCI	dwg no
		enr	D.HARPER 1998-12-16		sheet 2 of 4
		chr	D.HARPER 1998-12-16		size
		app	D.HARPER 1998-12-16		A4
sheet index	revision sheet				type CUSTOMER Drawing



NOTES:

- ① MATERIAL  
HOUSING: LCP  
CONTACT: COPPER ALLOY  
  
PLATING  
CONTACT: (SEE TABLE ON SHEET3)  
SOLDER BALL: (SEE TABLE ON SHEET3)  
EUTECTIC SnPb OR LEAD FREE  
95.5Sn/4Ag/0.5Cu
- ② SOLDER BALLS WILL NOT BE PERFECT SPHERICAL SHAPE DUE TO REFLOW ATTACHMENT.
- ③ MATED HEIGHT EFFECTED BY CUSTOMER'S PCB PAD SIZE, PLATING, SOLDER REFLOW PROFILE, & SOLDER PASTE.
- ④ PLATING FOR -2XX SERIES PRODUCT NUMBERS MEET THE REQUIREMENTS OF GR-1217-CORE, CENTRAL OFFICE ENVIRONMENT, (25 YEAR LIFE EXPECTANCY). THE CONTACTS IN THESE PRODUCT NUMBERS ALSO HAVE SPECIAL CONTACT GEOMETRY.
- ⑤ FOR PROPER APPLICATION FOLLOW FCI APPLICATION SPECIFICATION GS-20-033 LEAD FREE SOLDER BALLS WILL NOT SOLDER PROPERLY IN A LEADED SOLDER PROCESS DUE TO A HIGHER REFLOW TEMPERATURE. LEAD FREE PRODUCT IS THERFORE NOT BACKWARDS COMPATIBLE WITH LEADED OR SOME SOLDERING APPLICATIONS. REFERENCE FCI APPLICATION SPECIFICATION.
- ⑥ THIS PRODUCT MEETS EUROPEAN UNION DIRECTIVES AND OTHER COUNTRY REGULATIONS AS DESCRIBED IN GS-47-0004 PRODUCT MEETING THIS DIRECTIVE IS IDENTIFIED IN THE LOT CODE NUMBER MARKED ON EACH PART BY HAVING AN "X" IN THE SEVENTH CHARACTER POSITION.
- ⑦ 84501-A01 AND -A01LF ARE CUSTOMER SPECIALS.



- ⑧ CURRENT COMPANY LOGO TO BE VISIBLE IN APPROXIMATE AREA SHOWN.
- 9. 84501-301, -301LF, -401, -401LF, -501 and -501LF ARE OBSOLETE.
- 10. A  SYMBOL WILL BE NEXT TO ANY DIMENSION, NEW VIEW OR NOTE WHICH HAS BEEN MODIFIED WITH THE CURRENT DRAWING REVISION



⑪ 84501-093LF AND 84501-093BLF HAVE A SPECIAL CAP



⑫ FOR THESE DASH NUMBERS, PRODUCT IS BERYLLIUM FREE

mat'l. code SEE-NOTE-1		surface ASMEY14.5	tolerance ASMEY14.5	projection 	product family MEG-ARRAY	
ltr	ecn no	dr	date	tolerances unless otherwise specified	title	
T				angles .X±.3 .XX±.10 0°±2° lines .XXX±.050	4MM-RECPTACLE-ASSEMBLY. 10X30=300-POS	
		dr	D.WAUGHEN 1998-12-18	scale 1:1	dwg no	
		enr	D.HARPER 1998-12-18		sheet 4 of 4	
		chr	D.HARPER 1998-12-18		84501	size A4
		app	D.HARPER 1998-12-18		type CUSTOMER Drawing	
sheet index	revision sheet					