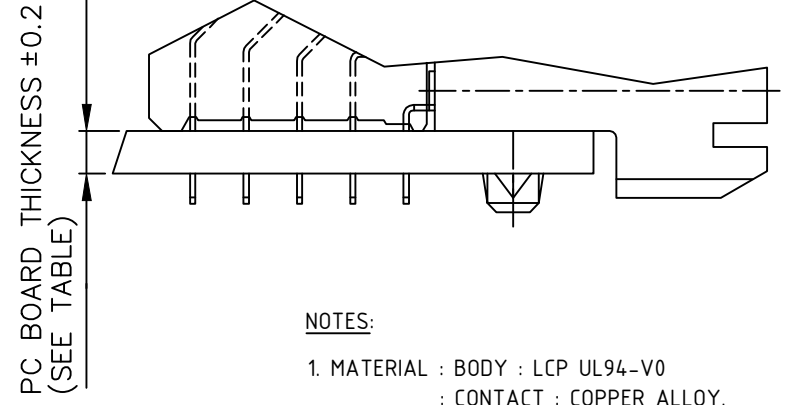
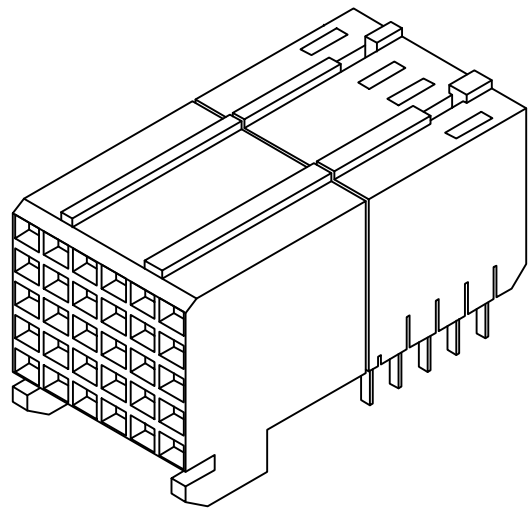
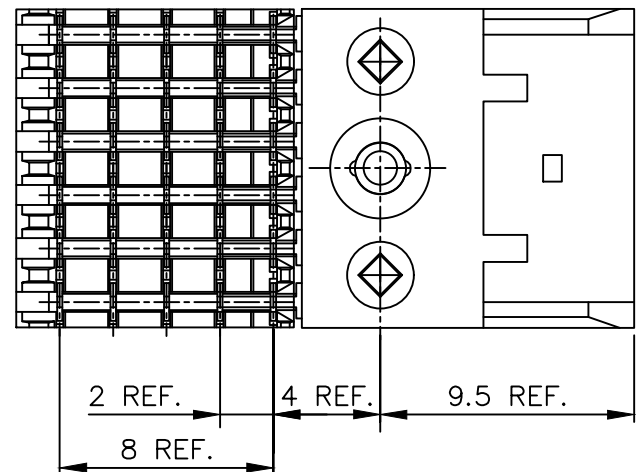


PRODUCT NUMBER	CONFIGURATION						DIM A	PCB Thickness
	ROW	1	2	3	4	5		
85638-X01LF	E	X	-	X	-	X	2.90	1.6
	D	-	X	-	X	-		
	C	X	-	X	-	X		
	B	-	X	-	X	-		
85638-X02LF	E	X	-	X	-	X	3.53	2.4
	D	-	X	-	X	-		
	C	X	-	X	-	X		
	B	-	X	-	X	-		
85638-X03LF	E	X	-	X	-	X	2.90	1.6
	D	X	-	X	-	-		
	C	-	-	-	-	-		
	B	X	-	X	-	-		
85638-X04LF	E	X	-	X	-	X	3.53	2.4
	D	-	-	-	-	-		
	C	X	-	X	-	-		
	B	-	-	-	-	-		
85638-X05LF	E	X	X	X	X	X	2.90	1.6
	D	X	X	X	X	X		
	C	X	X	X	X	X		
	B	-	-	-	-	-		
85638-X06LF	E	X	X	X	X	X	3.53	2.4
	D	X	X	X	X	X		
	C	X	X	X	X	X		
	B	-	-	-	-	-		
85638-X07LF	E	X	X	X	X	X	2.90	1.6
	D	X	X	X	X	X		
	C	-	-	-	-	-		
	B	X	X	X	X	X		

"-" POSITION NOT LOADED  
"X" POSITION LOADED



NOTES:

1. MATERIAL : BODY : LCP UL94-V0  
: CONTACT : COPPER ALLOY.
2. FOR PLATING PERFORMANCE REFER DRAWING # 10159408
3. INDICATED HOLES ARE UNPLATED
4. SET BACK FOR TAIL BLOCK
5. TOP SURFACE OF PRESS BLOCK MAY EXTEND UP TO 0.4MM HIGHER THAN HOUSING. THIS MAY AFFECT THE TAIL LENGTH BEFORE APPLICATION TO A BOARD.
6. THIS PRODUCT MEETS EUROPEAN UNION DIRECTIVES AND OTHER COUNTRY REGULATIONS AS DESCRIBED IN GS-47- 0004
7. A  $\Delta$  SYMBOL WILL BE NEXT TO ANY DIMENSION, VIEW, OR NOTE WHICH HAS BEEN MODIFIED WITH THE CURRENT DRAWING REVISION.

RECOMMENDED HOLE PATTERN,  
COMPONENT SIDE.  
FOR PTH REFER DRAWING # 58351

PART NUMBER : 85638-XYLFF

mat'l. code		surface <input checked="" type="checkbox"/> ISO 1302		tolerance <input checked="" type="checkbox"/> ISO 406 ISO 1101		projection		product family METRAL (tm)	
ltr	ecn no	dr	date	tolerances unless otherwise specified		mm		title	
H	DG09-0068	CENH	2009-06-06	angles	0±0.3	linear		5R RA STB SIGNAL	
J	DG10-0147	CENH	2010-04-19	linear	0.0±0.13	scale		RECEPTACLE 12mm PP SL	
K	DG10-0231	CENH	2010-07-07	0°±2°	0.00±0.050	-		dwg no	
L	ELX-1-38655	MINI	2020-10-05	dr	VISSCHERS IB	1998-05-12	sheet 1 of 1		size
				engr	ARUN	2020-10-05	85638		A2
				chr	ALEX BABU	2020-10-05	type		
				appd	SANOJ	2020-10-05	Product Customer Drawing		
sheet index	revision sheet	L	1						