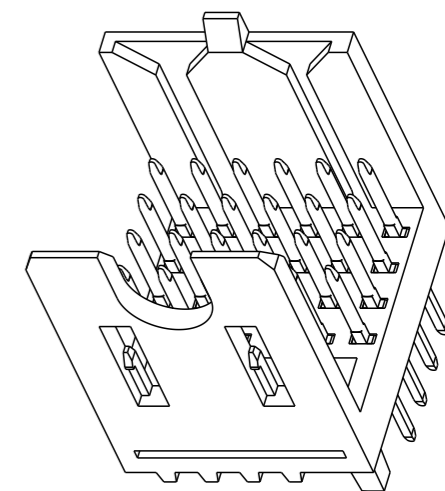
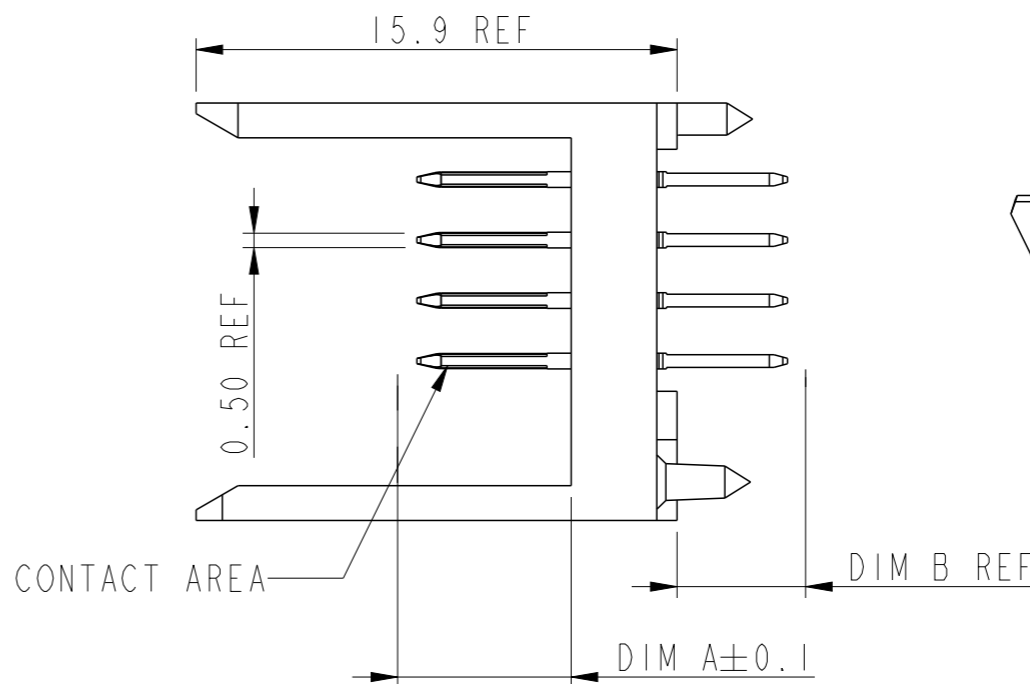
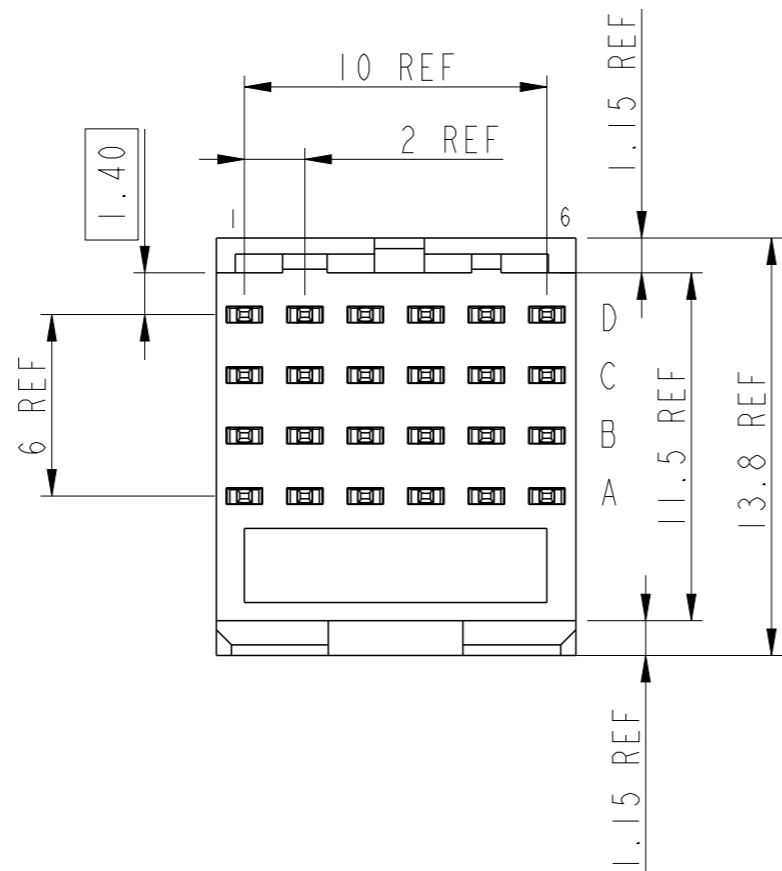
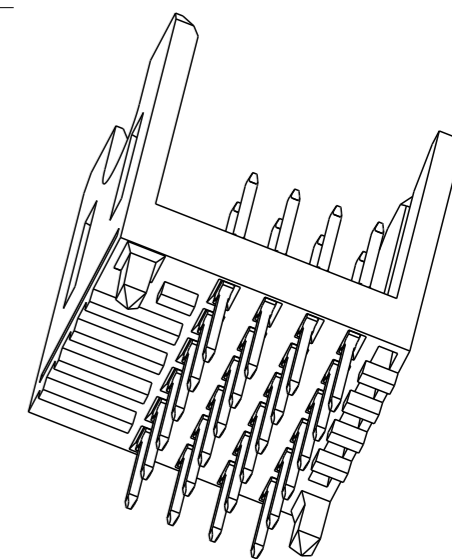


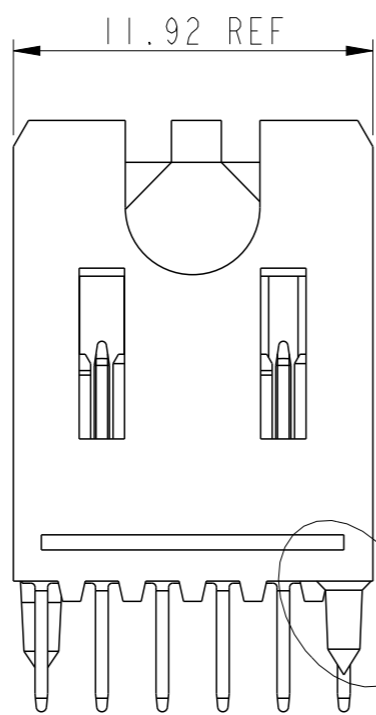
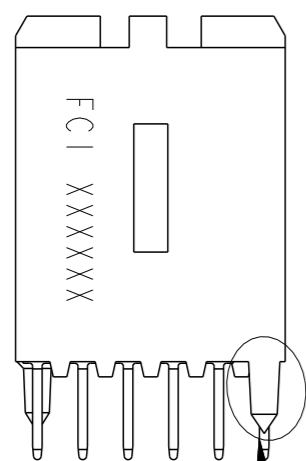
LEAD FREE P/N
85697-XYLFF



SCALE 3:1



FCI P/N PRINTING



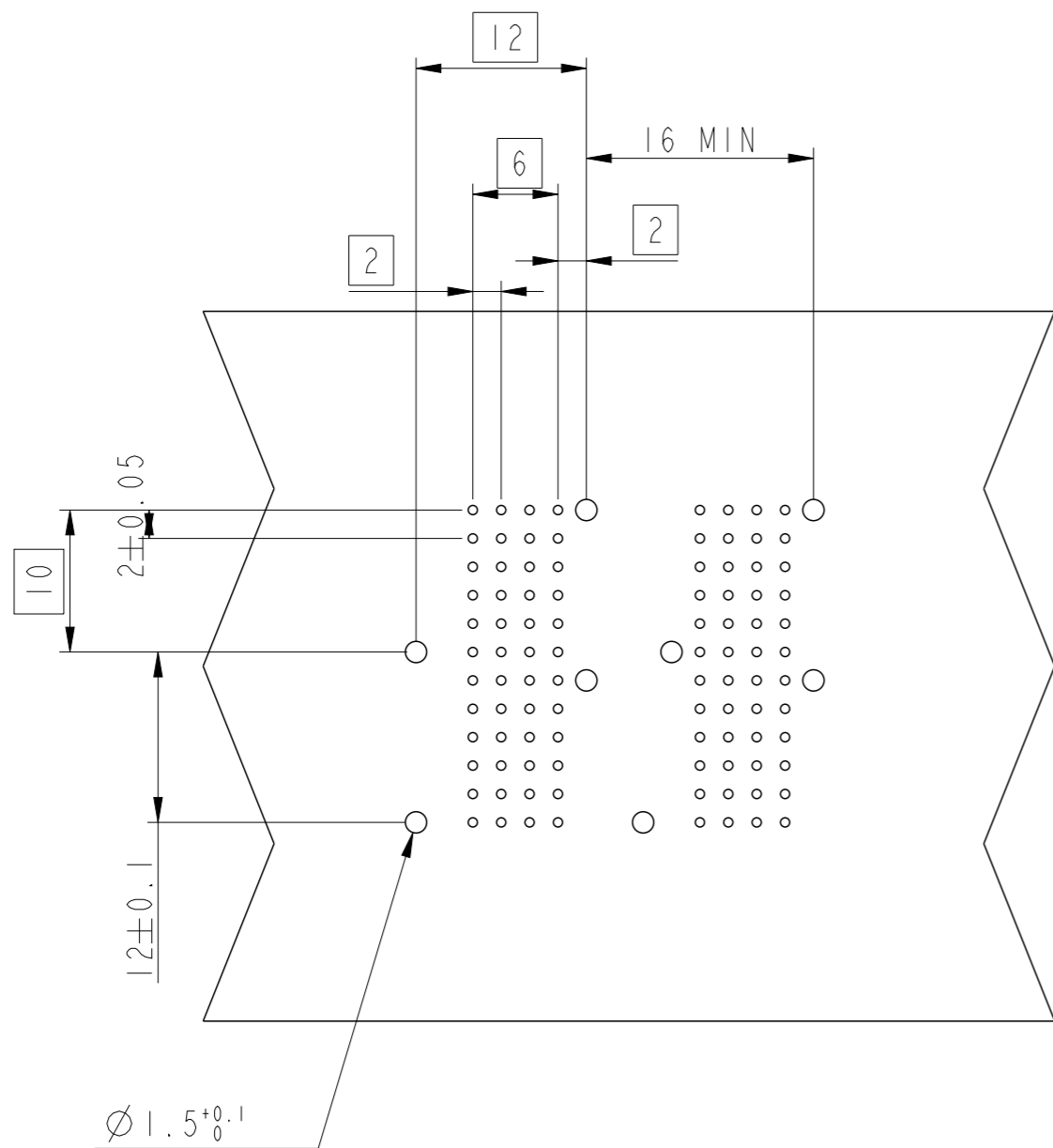
GENERAL CHARACTERISTICS AND RoHS INFORMATIONS:

SEE DRAWING C-8626-000S

SEE DETAIL 2

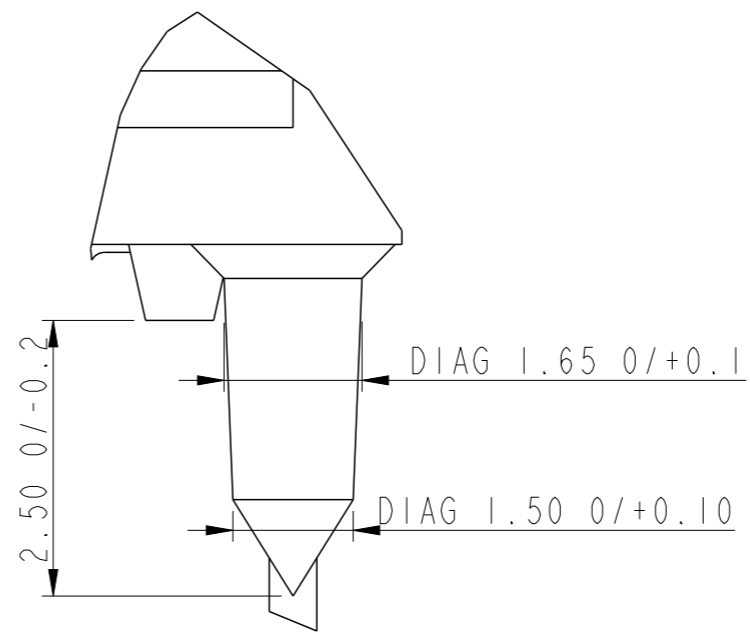
SEE DETAIL 1

| | | | | | | | | | | | |
|---------------|---------------------------------------|--------|----------------|-----------------------------------------|-----------------------------|--------|------------------------|---------------|-------|-----|---|
| spec ref | -- | dr | Terran Huang | 2010/07/09 | projection | MM | size | A3 | scale | 4:1 | |
| tolerance std | ISO 406 ISO 1101 | eng | Narayanan, Aru | 2021/01/29 | | | ecn no | ELX-I-39834-1 | | | |
| | TOLERANCES UNLESS OTHERWISE SPECIFIED | chr | - | - | | | rel level | Released | | | |
| surface | linear | appr | Kuriakose, San | 2021/02/02 | product family | METRAL | dwg no | 85697 | | rev | L |
| | angular | | | | | | | | | | |
| | 0.X | ±0.3 | | Amphenol FCI amphenol-icc.com | METRAL SIGNAL HEADER | | | | | | |
| | 0.XX | ±0.13 | | | I MOD 4 ROW NARROW BODY STB | | | | | | |
| | 0.XXX | ±0.050 | | | cat. no. | - | Product - Customer Drw | sheet 1 of 3 | | | |
| | ISO 1302 | | 0° | | | | | | | | |

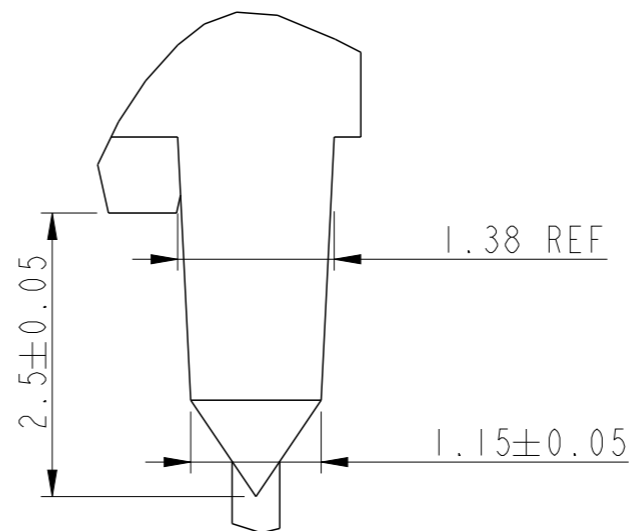


PC BOARD LAYOUT
COMPONENT SIDE
SEE PRINT 58351 FOR ADDITIONAL
PCB INFORMATION

DETAIL 1
SCALE 15:1



DETAIL 2
SCALE 15:1



| KEY | | | |
|------|------------|------------------------|------------------------|
| CODE | DIMENSIONS | | |
| | DIM A MATE | 85697-10XXX DIM B MATE | 85697-70XXX DIM B MATE |
| 1 | 5.00 | 4.25 | 4.25 |
| 2 | 5.75 | 4.25 | 4.25 |
| 3 | 6.50 | 4.25 | 4.25 |
| 4 | 7.25 | 4.25 | 4.25 |
| 5 | 5.00 | 3.30 | 3.60 |
| 6 | 5.75 | 3.30 | 3.60 |
| 7 | 6.50 | 3.30 | 3.60 |
| 8 | 7.25 | 3.30 | 3.60 |
| 13 | 8.00 | 4.25 | 4.25 |

| | | | | | | | | | | | |
|---------------------------------------|---------------------|--------------|----------------|------------------|-----------------------------|----|------------------------|---------------|--------------|----------|---|
| spec ref | -- | dr | Terran Huang | 2010/07/09 | projection | MM | size | A3 | scale | 2:1 | |
| tolerance std | ISO 406 ISO 1101 | eng | Narayanan, Aru | 2021/01/29 | | | ecn no | ELX-I-39834-1 | | | |
| TOLERANCES UNLESS OTHERWISE SPECIFIED | | chr | - | - | | | product family | METRAL | rel level | Released | |
| surface | linear | appr | Kuriakose, San | 2021/02/02 | METRAL SIGNAL HEADER | | dwg no | 85697 | | rev | L |
| ISO 1302 | angular | Amphenol FCI | | amphenol-icc.com | I MOD 4 ROW NARROW BODY STB | | Product - Customer Drw | | sheet 2 of 3 | | |
| | 0.X | ±0.3 | | | | | | | | | |
| | 0.XX | ±0.13 | | | | | | | | | |
| | 0.XXX | ±0.050 | | | | | | | | | |
| | 0° | ±2° | | | | | | | | | |

