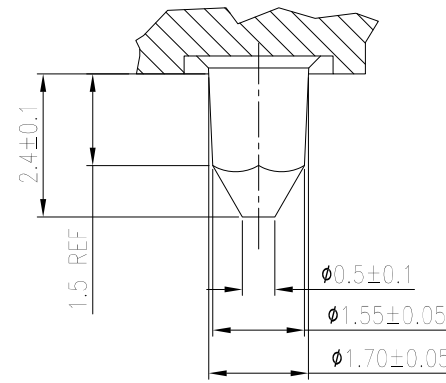


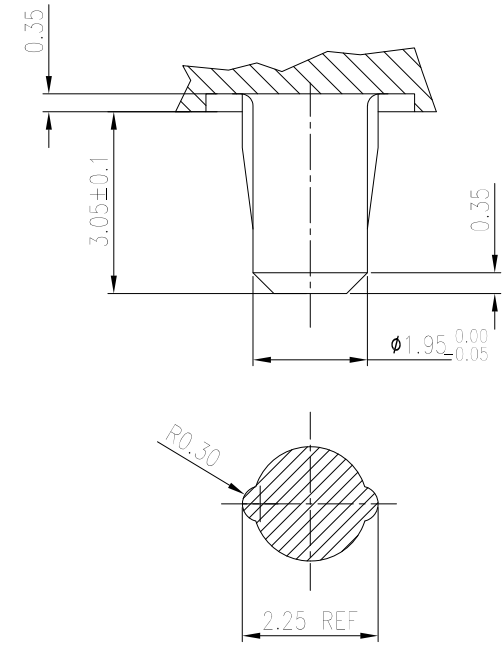


| PART NUMBER / CONTACT LOADING |       |       |       |                |                          |
|-------------------------------|-------|-------|-------|----------------|--------------------------|
| DIM-P ±0.10                   |       |       |       | DIM-D<br>±0.30 | LEAD FREE<br>PART NUMBER |
| ROW-A                         | ROW-B | ROW-C | ROW-D |                |                          |
| 5.00                          | 5.00  | 5.00  | 5.00  | 2.90           | 85822-X01LF              |
| 5.00                          | 5.75  | 5.00  | 5.00  | 2.90           | 85822-X02LF              |
| 5.00                          | 5.75  | 6.50  | 5.00  | 2.90           | 85822-X03LF              |
| 5.00                          | 5.00  | 6.50  | 5.00  | 2.90           | 85822-X04LF              |
| 5.75                          | 5.75  | 5.75  | 5.75  | 2.90           | 85822-X05LF              |
| 6.50                          | 5.75  | 5.00  | 5.75  | 2.90           | 85822-X06LF              |
| 6.50                          | 6.50  | 6.50  | 5.75  | 2.90           | 85822-X07LF              |
| 6.50                          | 5.75  | 6.50  | 5.75  | 2.90           | 85822-X08LF              |
| 6.50                          | 5.00  | 5.00  | 5.00  | 2.90           | 85822-X09LF              |
| 5.75                          | 5.75  | 5.75  | 5.75  | 3.70           | 85822-X10LF              |

DETAIL OF LOCATING PEGS (2x) SCALE 8/1

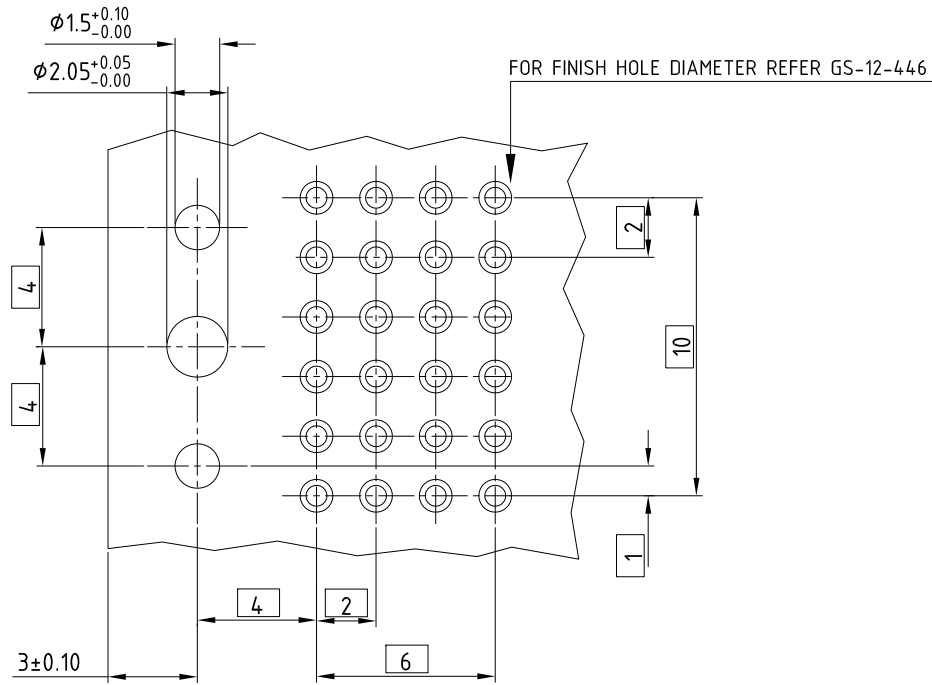


DETAIL OF CENTRAL PEG SCALE 8/1



| METRAL<br>P/N | ROW | DIM P ±0.1<br>MOD. 1 |     |     |      |     |     | DIM D<br>±0.3 |
|---------------|-----|----------------------|-----|-----|------|-----|-----|---------------|
|               |     | 1                    | 2   | 3   | 4    | 5   | 6   |               |
| 85822-X11LF   | D   | 5.0                  | 5.0 | 5.0 | 6.50 | 5.0 | 5.0 | 2.90          |
|               | C   | 5.0                  | 5.0 | 5.0 | 6.50 | 5.0 | 5.0 |               |
|               | B   | 5.0                  | 5.0 | 5.0 | 5.0  | 5.0 | 5.0 |               |
|               | A   | 5.0                  | 5.0 | 5.0 | 5.0  | 5.0 | 5.0 |               |
| 85822-X12LF   | D   | 5.0                  | —   | 5.0 | 5.0  | 5.0 | 5.0 | 2.90          |
|               | C   | 5.0                  | —   | 5.0 | 5.0  | 5.0 | 5.0 |               |
|               | B   | —                    | 5.0 | 5.0 | 5.0  | 5.0 | 5.0 |               |
|               | A   | 5.0                  | 5.0 | 6.5 | 6.5  | 5.0 | 5.0 |               |

RECOMMENDED PCB LAYOUT



OTHERS INFORMATIONS, SEE DRW 85822-1

|             |              |                       |            |                                       |              |                               |                 |                          |                          |  |
|-------------|--------------|-----------------------|------------|---------------------------------------|--------------|-------------------------------|-----------------|--------------------------|--------------------------|--|
| mat'l. code |              | surface<br>ISO 1302 ✓ |            | tolerance<br>ISO 406 ISO 1101         |              | projection<br>mm              |                 | product family<br>METRAL |                          |  |
| ltr         | ecn no       | dr                    | date       | tolerances unless otherwise specified |              | title                         |                 | sheet 2 of 2             |                          |  |
| L           | LS06-0039    | MLE                   | 2006-03-14 | angles                                | linear       | METRAL RA HDR STB CONVERG     |                 | size                     |                          |  |
| M           | LS06-0114    | LGO                   | 2006-08-11 |                                       |              | NB 4x6 -1MODULE- FMLB LOADING |                 | A3                       |                          |  |
| N           | LS07-0003    | LGO                   | 2007-01-04 |                                       |              | scale                         |                 | type                     |                          |  |
| P           | LS07-0134    | MLE                   | 2007-05-14 | dr                                    | MICHAEL SONG | 2014-12-03                    | 85822           |                          | Product Customer Drawing |  |
| S           | DG09-0067    | LUC                   | 2009-03-03 | engr                                  | ARUN         | 2020-09-14                    | Amphenol<br>FCi |                          |                          |  |
| T           | ELX-DG-19619 | MIC                   | 2014-12-03 | chr                                   | ALEX BABU    | 2020-09-14                    |                 |                          |                          |  |
| U           | ELX-I-38655  | MINI                  | 2020-09-15 | appd                                  | SANOJ        | 2020-09-14                    |                 |                          |                          |  |
| sheet index | revision     | U                     | U          |                                       |              |                               |                 |                          |                          |  |
|             | sheet        | 1                     | 2          |                                       |              |                               |                 |                          |                          |  |