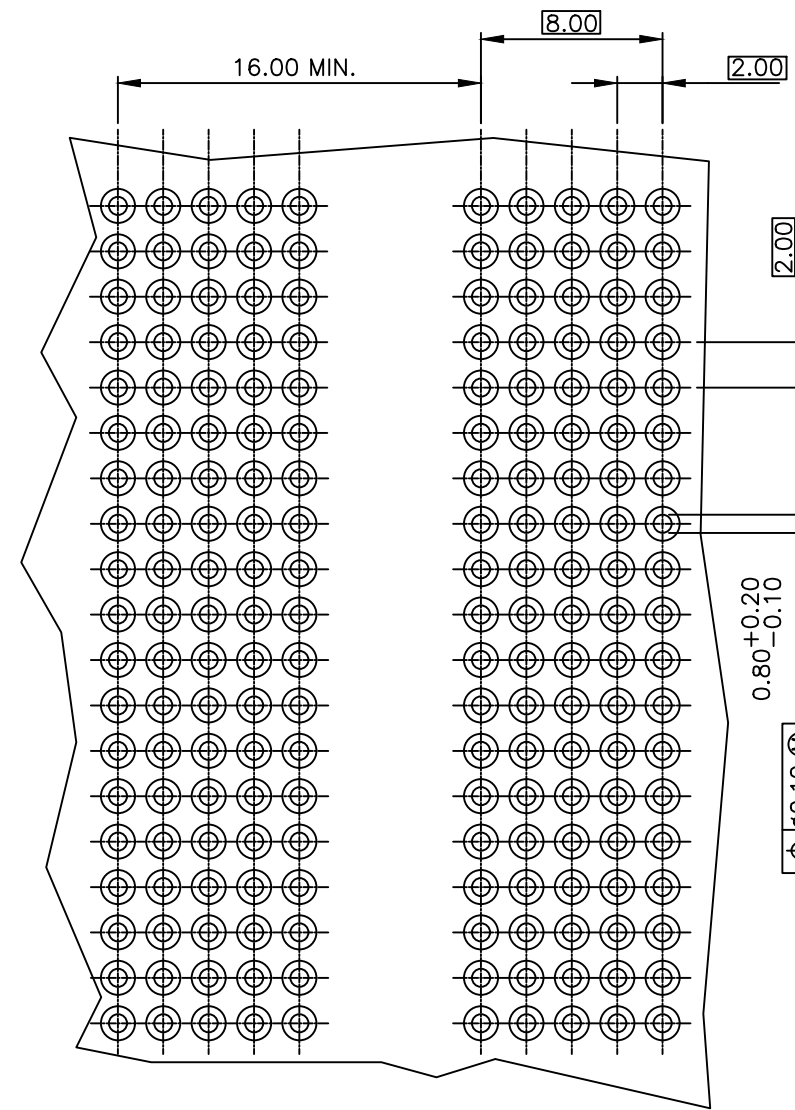
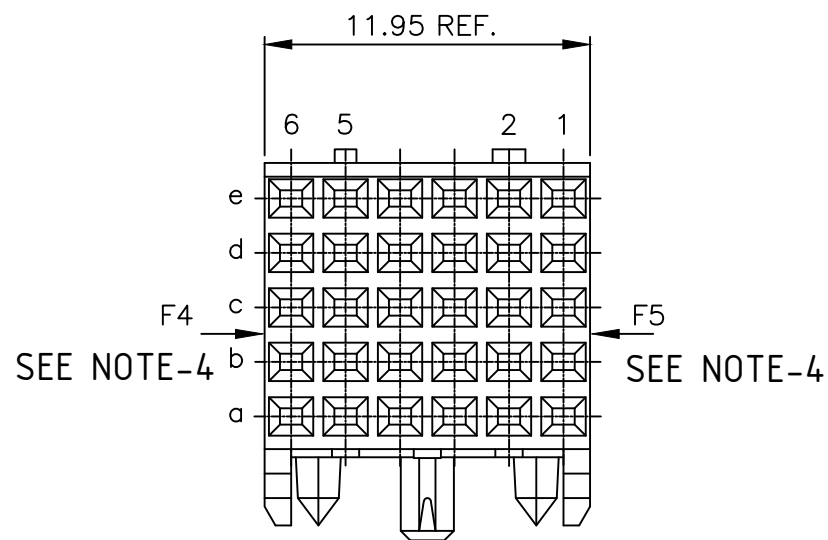
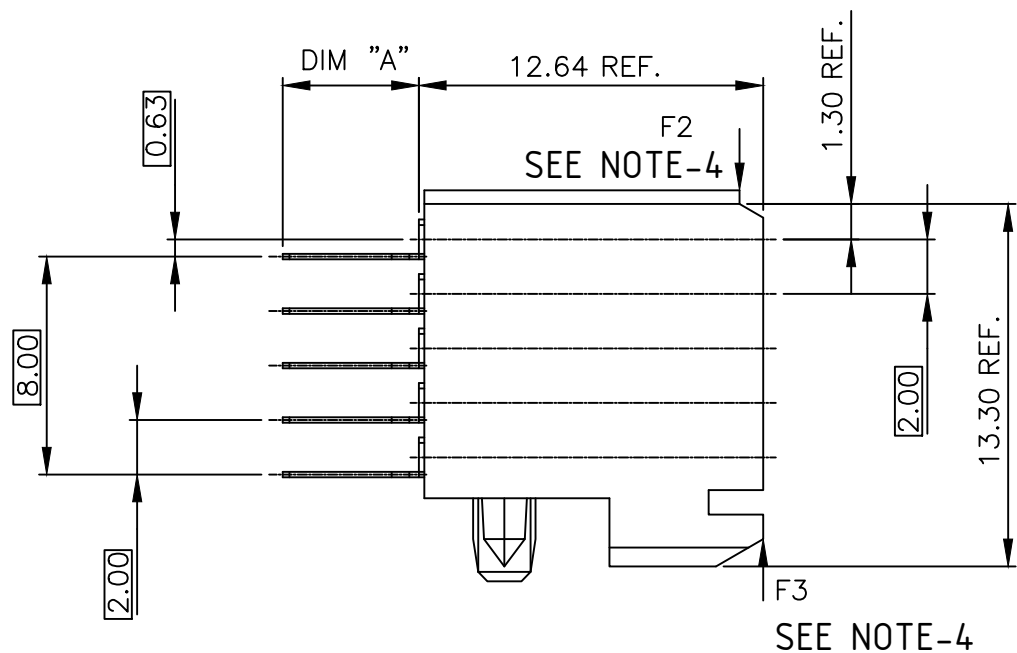
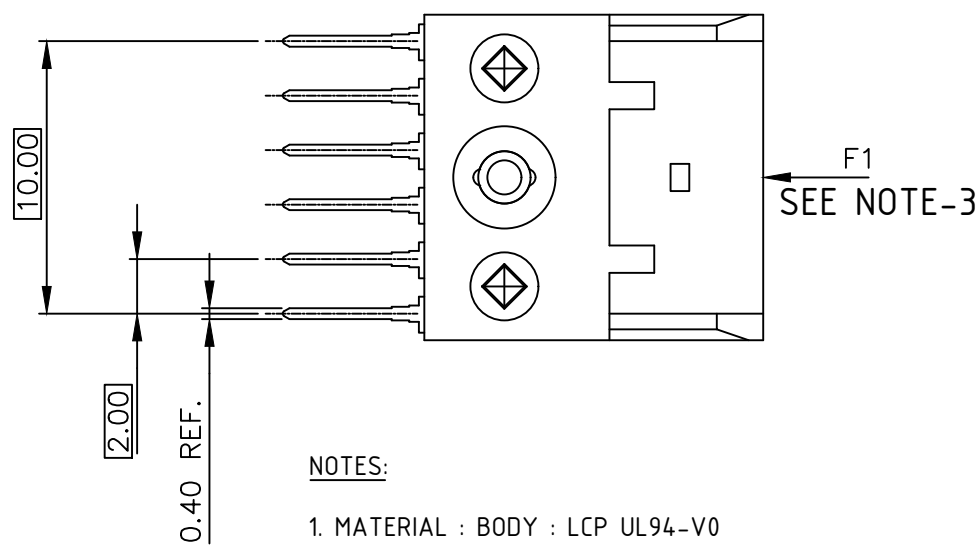


PRODUCT NR.	DIM "A"
85856-X01LF	5.00 REF.
85856-X11LF	3.35 REF.



RECOMMENDED HOLE PATTERN,
COMPONENT SIDE.



REFER NOTE-2
85856-XYLFF

NOTES:

- MATERIAL : BODY : LCP UL94-V0
: CONTACT : COPPER ALLOY.
- FOR PLATING PERFORMANCE REFER DRAWING # 101594.08 Δ
- LOAD IN THIS DIRECTION (E.G. THROUGH CODING) 30 NEWTON MAXIMUM PER CONNECTOR.
- LOAD IN THIS DIRECTION 15 NEWTON MAXIMUM PER CONNECTOR.
- TO ENSURE PROPER ALIGNMENT OF MULTIPLE MODULES ON A BOARD THE USE OF A FIXTURE IS RECOMMENDED.
- THIS PRODUCT MEETS EUROPEAN UNION DIRECTIVES AND OTHER COUNTRY REGULATIONS AS DESCRIBED IN GS-47- 0004.
- THE HOUSING WILL WITHSTAND EXPOSURE TO 260DEGREE PEAK FOR 10 SECONDS IN A WAVE SOLDER APPLICATION.
- A Δ SYMBOL WILL BE NEXT TO ANY DIMENSION, VIEW, OR NOTE WHICH HAS BEEN MODIFIED WITH THE CURRENT DRAWING REVISION.

mat'l. code				surface	tolerance	projection	product family		
				ISO 1302	ISO 406	ISO 1101	METRAL		
ltr	ecn no	dr	date	tolerances unless otherwise specified			title		
D	DG08-0171	TER	2008-08-26	angles	.X±0.3	mm	STR FEMALE SRB		
E	DG09-0068	CENH	2009-06-06	linear	.XX±0.13		SIGNAL 12 MM		
F	ELX-I-38990	MINI	2020-11-17	0°±2°	.XXX±0.050	scale -	dwg no		
				dr	D. DE BIL	1994-07-12	sheet 1 of 1		
				enr	ARUN	2020-11-17	85856		
				chr	ALEX BABU	2020-11-17	A3		
				appd	2020-11-17	2020-11-17	type		
							Product Customer Drawing		
sheet index	revision sheet	F	1						