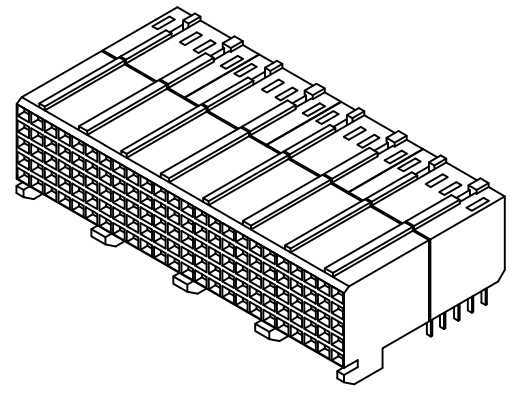
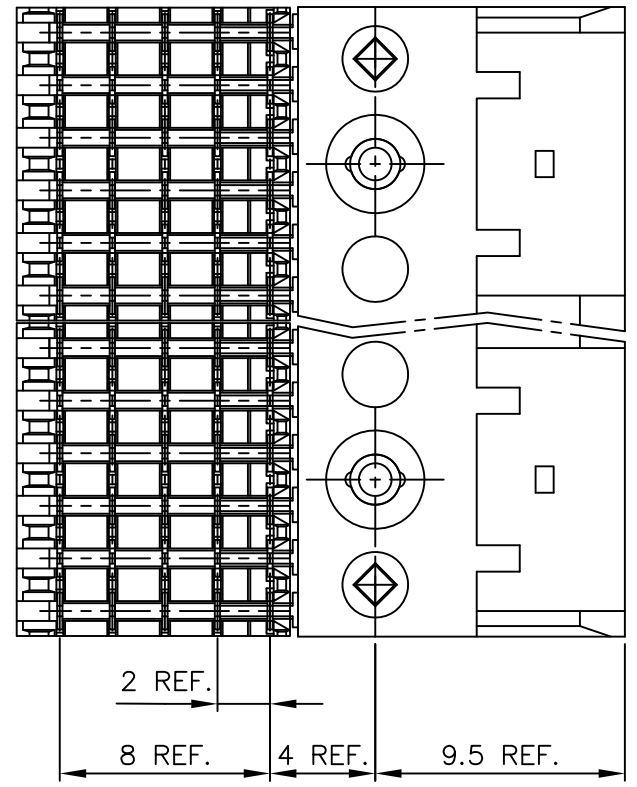
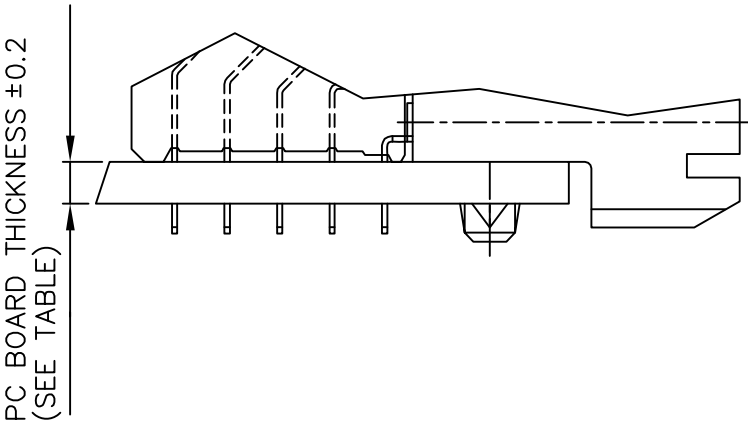


RECOMMENDED HOLE PATTERN, COMPONENT SIDE.



PART NUMBER : 85865-XYLFF

REFER NOTE-2



NOTES:

1. MATERIAL : BODY : THERMOPLASTIC UL94-V0
: CONTACT : COPPER ALLOY.
2. FOR PLATING PERFORMANCE REFER DRAWING # 10159408
3. INDICATED HOLES ARE UNPLATED
4. SET BACK FOR TAIL BLOCK
5. TOP SURFACE OF PRESS BLOCK MAY EXTEND UP TO 0.4MM HIGHER THAN HOUSING. THIS MAY AFFECT THE TAIL LENGTH BEFORE APPLICATION TO A BOARD.
6. THIS PRODUCT MEETS EUROPEAN UNION DIRECTIVES AND OTHER COUNTRY REGULATIONS AS DESCRIBED IN GS-47- 0004
7. SYMBOL WILL BE NEXT TO ANY DIMENSION, VIEW, OR NOTE WHICH HAS BEEN MODIFIED WITH THE CURRENT DRAWING REVISION.
8. DIAMOND LOCATION PEG ARE ONLY EXISTED ON THE BOTH SIDES OF PRODUCT.
9. THE HOUSING WILL WITHSTAND EXPOSURE TO 260° PEAK TEMPERATURE FOR 10 SECONDS IN A WAVE SOLDER APPLICATION.

PCB BOARD VERSIONS			LOADING CONFIGURATION
PRODUCT NR:	PCB THICKNESS	DIM "A"	
85865-X02LF	1.6	2.90	FULLY LOADED
85865-X12LF	2.4	3.53	

mat'l. code	surface ISO 1302 <input checked="" type="checkbox"/>	tolerance ISO 406 ISO 1101	projection 	product family METRAL (fm)
ltr	ecn no	dr	date	tolerances unless otherwise specified
K	DG07-0169	CENH	2007-05-15	angles 0±0.3
L	DG08-0171	TER	2008-08-26	linear 0.0±0.13
M	DF09-0068	CENH	2009-03-03	0°±2° 0.00±0.050
N	ELX-1-39007	MINI	2020-11-18	dr R.VISSCHERS 1994-05-10
				engr ARUN 2020-11-18
				chr ALEX BABU 2020-11-18
				appd SANJ 2020-11-18
sheet index	revision sheet	N		file 5 ROW RA STB SIGNAL RECEPTACLE 48mm MOD PP
		1		dwg no 85865
				sheet 1 of 1 size A2
				type Product Customer Drawing