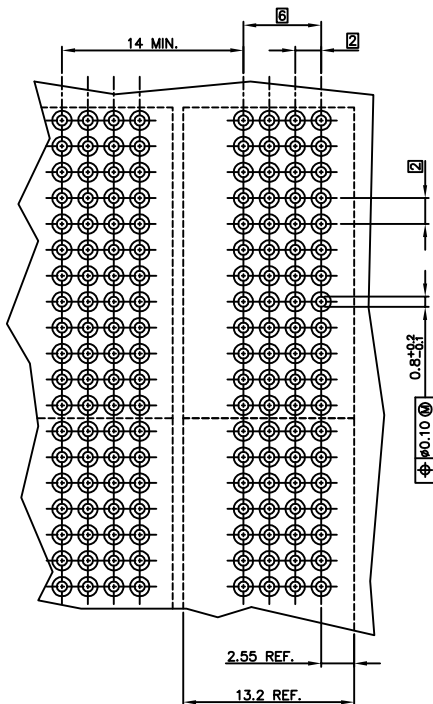
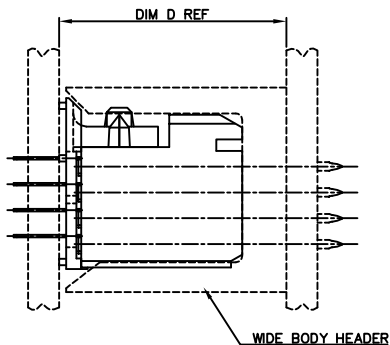
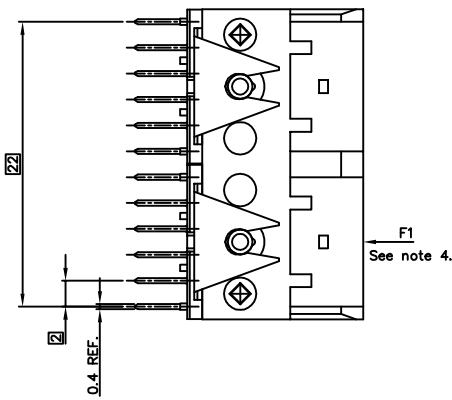
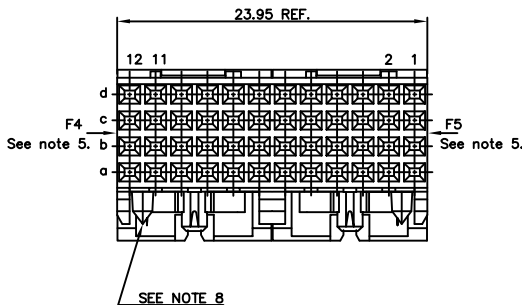
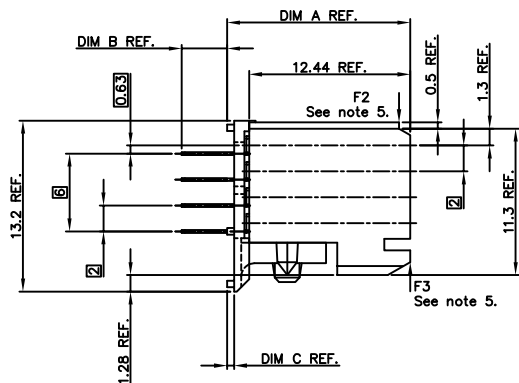


PRODUCT NR.  
85965-XYZ  
85965-XYZLF

PLATING CONTACT AREA:	
DASH NR:	PERFORMANCE LEVEL
-1YY/1YYLF	TELCORDIA CO
-2YY/2YYLF	CUSTOMER SPECIAL
-3YY/3YYLF	CUSTOMER SPECIAL



RECOMMENDED HOLE PATTERN,  
COMPONENT SIDE.

DASH NR	CONFIGURATION											PCB THICKN.	DIM A	DIM B	DIM C	DIM D			
	ROW #	12	11	10	9	8	7	6	5	4	3						2	1	
-X01	D	+	+	+	+	+	+	+	+	+	+	+	+		2.4	14.14	3.50	0.54	17.64
	C	+	+	+	+	+	+	+	+	+	+	+	+						
	B	+	+	+	+	+	+	+	+	+	+	+	+						
-X01LF	A	+	+	+	+	+	+	+	+	+	+	+	+		3.2	13.60	4.04	0.00	17.10
	D	+	+	+	+	+	+	+	+	+	+	+	+						
	C	+	+	+	+	+	+	+	+	+	+	+	+						
-X02	B	+	+	+	+	+	+	+	+	+	+	+	+		2.4	13.60	3.24	0.00	17.10
	A	+	+	+	+	+	+	+	+	+	+	+	+						
	D	+	+	+	+	+	+	+	+	+	+	+	+						
-X03	C	+	+	+	+	+	+	+	+	+	+	+	+		1.6	13.60	2.39	0.00	17.10
	B	+	+	+	+	+	+	+	+	+	+	+	+						
	A	+	+	+	+	+	+	+	+	+	+	+	+						
-X03LF	D	+	+	+	+	+	+	+	+	+	+	+	+		1.6	14.14	2.70	0.54	17.64
	C	+	+	+	+	+	+	+	+	+	+	+	+						
	B	+	+	+	+	+	+	+	+	+	+	+	+						
-X04	A	+	+	+	+	+	+	+	+	+	+	+	+		1.6	14.64	3.00	0.54	18.14
	D	+	+	+	+	+	+	+	+	+	+	+	+						
	C	+	+	+	+	+	+	+	+	+	+	+	+						
-X04LF	B	+	+	+	+	+	+	+	+	+	+	+	+		1.6	15.14	2.50	0.54	18.64
	A	+	+	+	+	+	+	+	+	+	+	+	+						
	D	+	+	+	+	+	+	+	+	+	+	+	+						
-X05	C	+	+	+	+	+	+	+	+	+	+	+	+		1.6	15.14	2.50	0.54	18.64
	B	+	+	+	+	+	+	+	+	+	+	+	+						
	A	+	+	+	+	+	+	+	+	+	+	+	+						
-X05LF	D	+	+	+	+	+	+	+	+	+	+	+	+		1.6	15.14	2.50	0.54	18.64
	C	+	+	+	+	+	+	+	+	+	+	+	+						
	B	+	+	+	+	+	+	+	+	+	+	+	+						
-X06	A	+	+	+	+	+	+	+	+	+	+	+	+		1.6	15.14	2.50	0.54	18.64
	D	+	+	+	+	+	+	+	+	+	+	+	+						
	C	+	+	+	+	+	+	+	+	+	+	+	+						
-X06LF	B	+	+	+	+	+	+	+	+	+	+	+	+		1.6	15.14	2.50	0.54	18.64
	A	+	+	+	+	+	+	+	+	+	+	+	+						
	D	+	+	+	+	+	+	+	+	+	+	+	+						
-X07	C	+	+	+	+	+	+	+	+	+	+	+	+		1.6	15.14	2.50	0.54	18.64
	B	+	+	+	+	+	+	+	+	+	+	+	+						
	A	+	+	+	+	+	+	+	+	+	+	+	+						
-X07LF	D	+	+	+	+	+	+	+	+	+	+	+	+		1.6	15.14	2.50	0.54	18.64
	C	+	+	+	+	+	+	+	+	+	+	+	+						
	B	+	+	+	+	+	+	+	+	+	+	+	+						

"-" POSITION NOT LOADED  
"+" POSITION LOADED

- NOTES:
- BODY MAT'L: LIQUID CRYSTAL POLYMER 30% GLASS  
FLAME RETARDANT ACC. UL 94-V0
  - TERMINAL MATERIAL: PHOSPHOR BRONZE.
  - PLATING SOLDER TAILS 2-8 μm SnPb 90-97 OR 2-8 μm PURE Sn FOR LF.
  - LOAD IN THIS DIRECTION (E.G. THROUGH CODING)  
30 NEWTON MAXIMUM PER 12 mm CONNECTOR LENGTH.
  - LOAD IN THIS DIRECTION 25 NEWTON MAXIMUM PER CONNECTOR.
  - TO ENSURE PROPER ALIGNMENT OF MULTIPLE MODULES ON A BOARD THE USE OF A FIXTURE IS RECOMMENDED.
  - PRODUCT MARKING: PARTNUMBER & BATCH I.D.
  - DIAMOND LOCATION PEG ARE ONLY EXISTED ON THE BOTH SIDES OF PRODUCT.
  - THIS PRODUCT MEETS EUROPEAN UNION DIRECTIVES AND OTHER COUNTRY REGULATIONS AS DESCRIBED IN GS-22-008
  - THE HOUSING WILL WITHSTAND EXPOSURE TO 260 DEGREE PEAK TEMPERATURE FOR 10 SECONDS IN A WAVE SOLDER APPLICATION.

mat'l. code	tolerances unless otherwise specified	CUSTOMER COPY		<b>ELECTRONICS</b> www.strom.com
lit. tech no & p. date		projection		
J 0000-0000 0000/00/00	linear			
D 000000 PHE 000016	0.0005	M. MEIER 000016		
E 000000 DDB 000017	0.0005	M. MEIER 000016		
F 000000 CLU 000011	0.0005	P. SCHALK 000016		
G 000000 SDB 000015	0.0005	P. SCHALK 000016		
sheet revision 1				
index sheet 1				