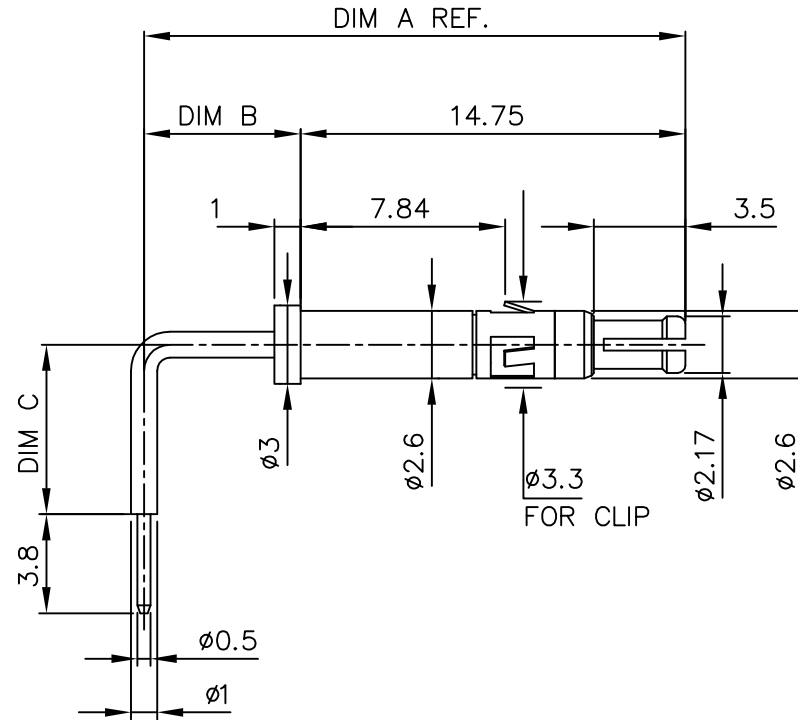
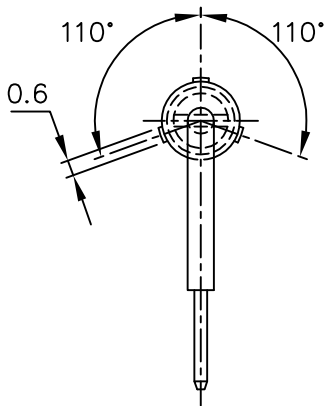


Tous droits strictement réservés. Reproduction ou communication à des tiers interdite sous quelque forme que ce soit sans autorisation écrite du propriétaire. © FCI b.v.

Reproduction or issue to third parties in any form, whatever is not permitted without written authority from the proprietor. © FCI b.v.

Product number	DIM A	DIM B	DIM C
85975-001LF	18.75	4	2.5
85975-002LF	20.75	6	6.5



NOTES:

1. THIS PRODUCT WITH "LF" SUFFIX MEETS EUROPEAN UNION DIRECTIVES AND OTHER COUNTRY REGULATIONS AS DESCRIBED IN GS -22-008.
2. THE PRODUCT WILL WITHSTAND EXPOSURE TO 260 DEGREE PEAK TEMPERATURE TO 30 SECONDS IN A WAVE SOLDER APPLICATION WITH A 1.6 mm MINIMUM THICK PCB

mat'l. code		tolerances unless otherwise specified		CUSTOMER COPY	ELECTRONICS www.fciconnect.com
ltr	ecn no	dr	date	projection	
A	H60468	RDK	960723		title MINI POWER RA HDR CONTACT
B	H70513	DDB	970808		
C	bg05-0406	CLU	051021	mm	product family
				scale	ETRAL(tm)
				5:1	code
				A3	213
					sheet
					1 of 1
sheet index	revision	C			
	sheet	1			