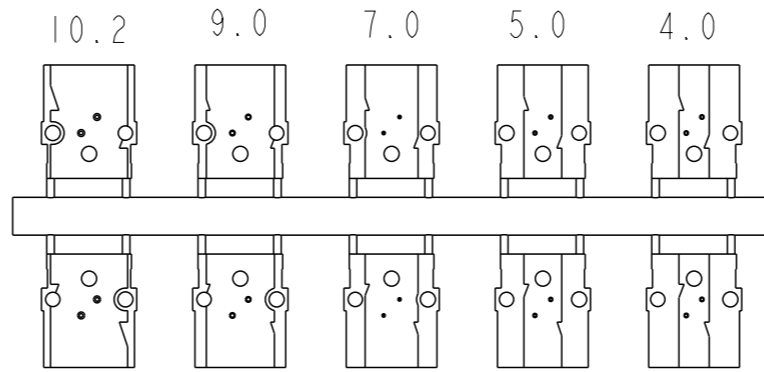
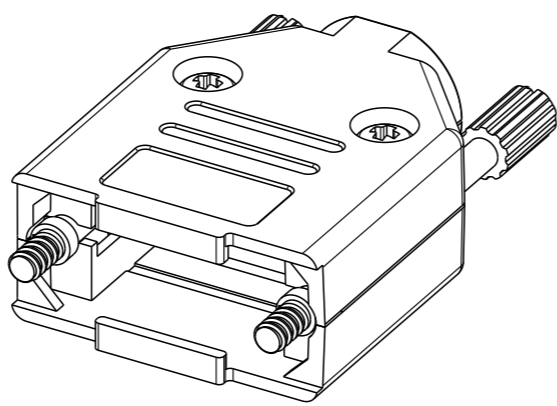
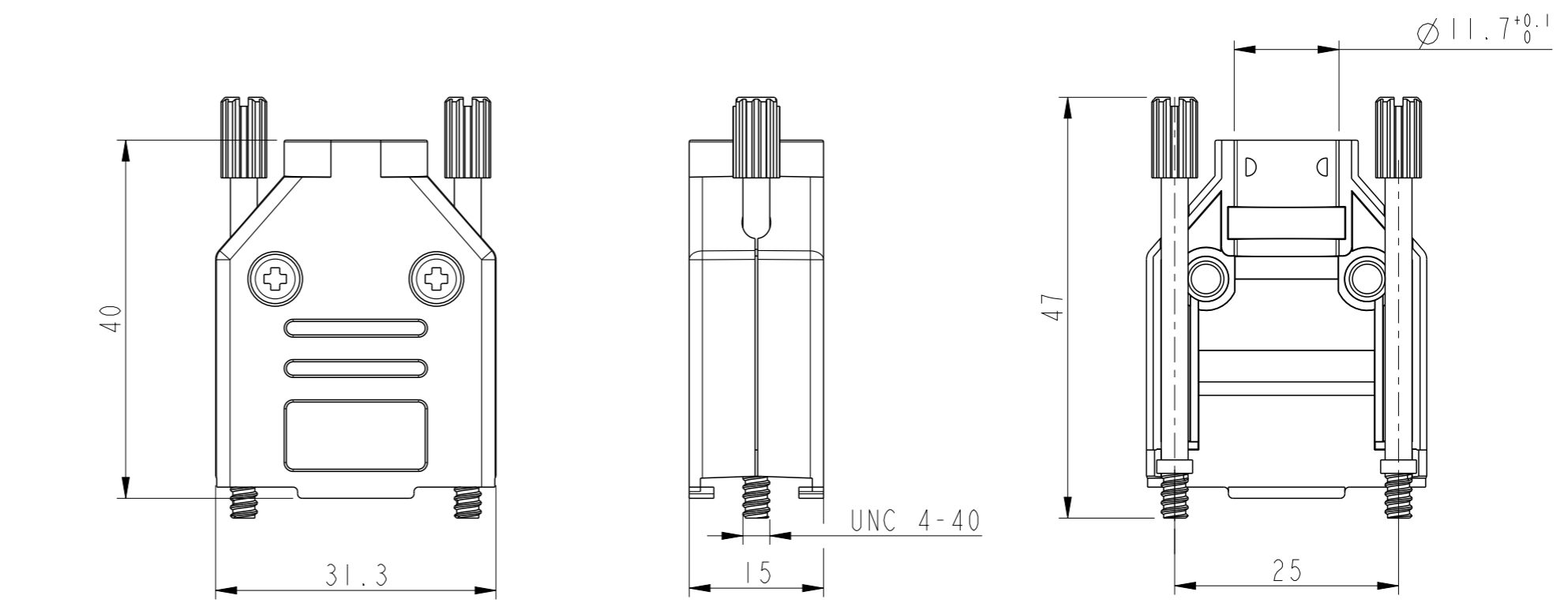
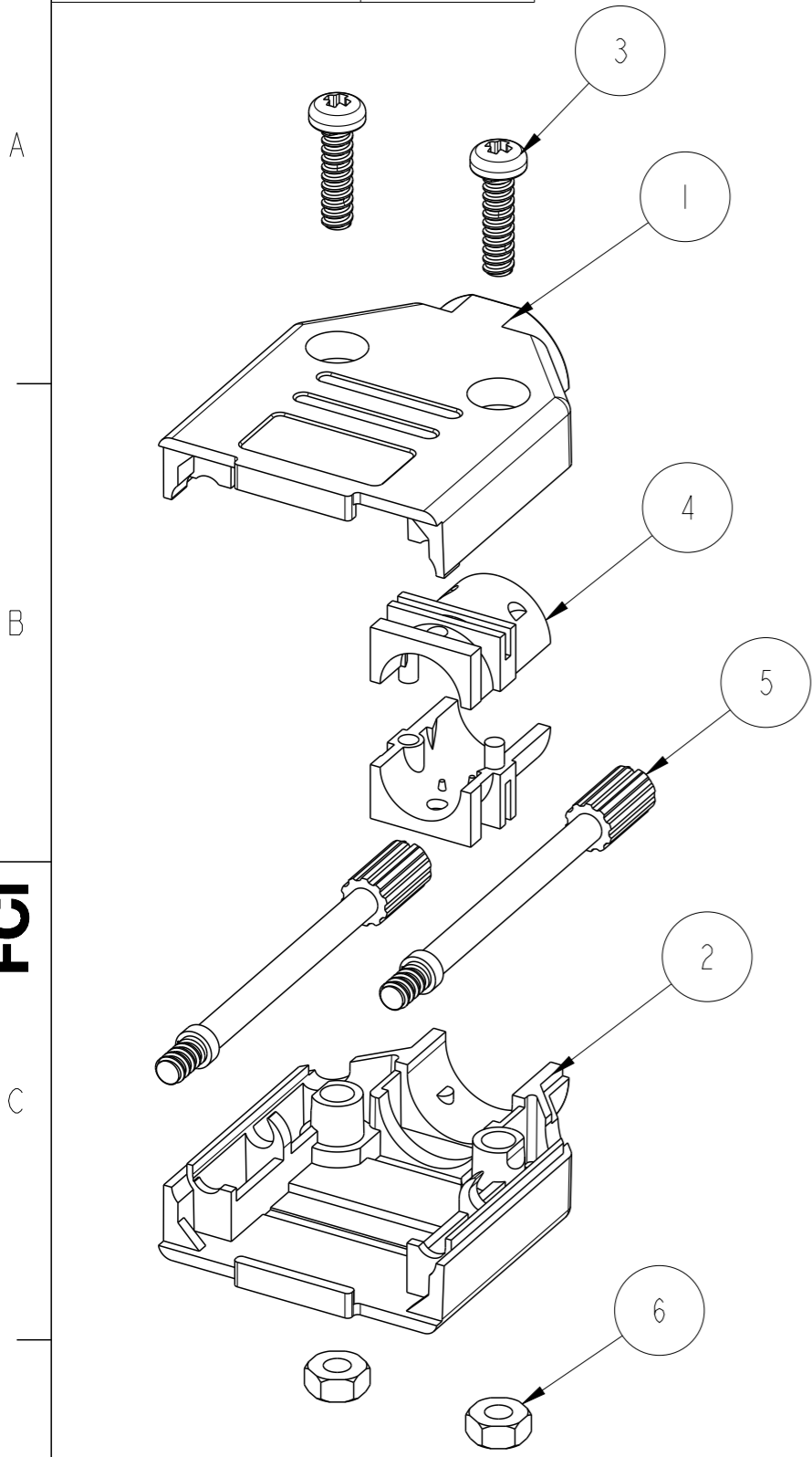


PART NUMBER	PACK
8655APETIAI1KLF	KIT



GROMMET SET

NOTES:
 1- OPERATING TEMPERATURE: -20°C TO +85°C
 UL 94 V-0 PLASTIC MATERIAL
 2- INDIVIDUAL KITS SEALED IN PLASTIC COVER
 IN UNASSEMBLED FORM.
 BOM AS SHOWN IN TABLE

RoHS INFORMATION:
 - THE LF PRODUCT MEETS EUROPEAN UNION
 DIRECTIVES AND OTHER COUNTRY REGULATIONS
 AS DESCRIBED IN GS+22-009
 - THE PRODUCT IS NOT INTENDED TO BE EXPOSED
 TO A MANUFACTURING SOLDER PROCESS

ITEM NO.	QTY.	PART DESCRIPTION
1	1	UPPER COVER SIZE 09
2	1	LOWER COVER SIZE 09
3	2	M3x11.5 SCREW
4	1	GROMMET SET
5	2	UNC 4-40x47 JACKSCREW
6	2	M3 NUT

spec ref	-	dr	Dipu Joseph	2020/02/24	projection	mm	size	A3	scale	1:1
tolerance std	ISO 406 ISO 1101	eng	Laurent Mulin	2020/08/24			ecn no	-	rel level	Released
TOLERANCES UNLESS OTHERWISE SPECIFIED		chr	-	-			product family	DSUB PLASTIC HOOD 09		
surface	linear	0.X	±0.15		cat. no.	Product - Customer Drw	dwg no	8655APETIAI1KLF	rev	A
		0.XX	±0.10							
	angular	0°	±0.30°							

Amphenol FCI

© 2016 AFCI