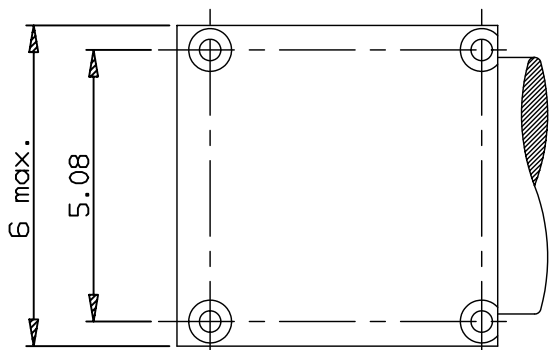
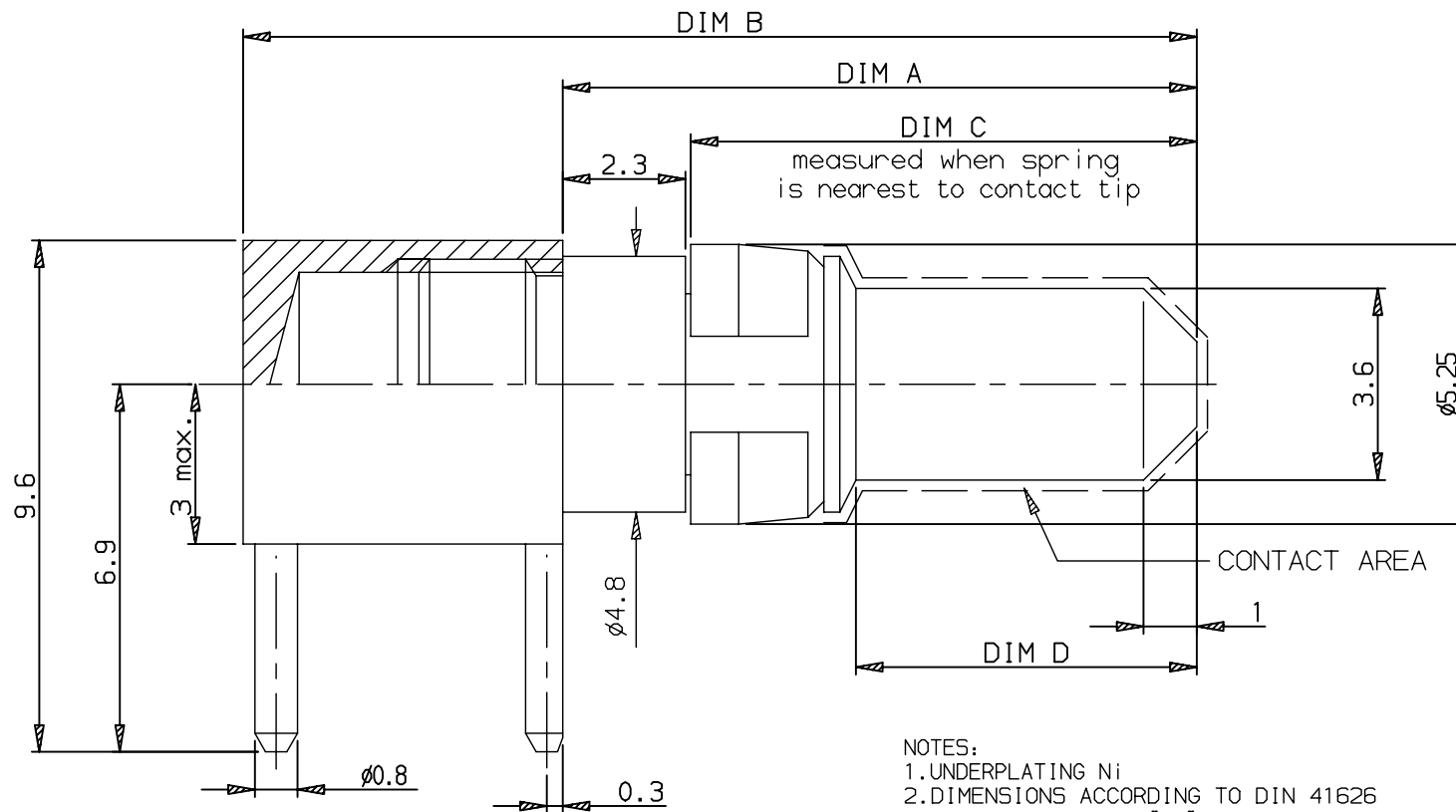


LEAD-FREE P/N	DIM A	DIM B	DIM C	DIM D
91315-X03LF	(11.9)	17.9	9.5	6.4
91315-X04LF	(12.9)	18.6	10.2	7.1

PLATING CODE X	CONTACT AREA PLATING
1	1.3um Au min.



- NOTES:
- 1.UNDERPLATING Ni
  - 2.DIMENSIONS ACCORDING TO DIN 41626
  - 3 THIS PRODUCT WITH "LF" SUFFIX MEETS EUROPEAN UNION DIRECTIVES AND OTHER COUNTRY REGULATIONS AS DESCRIBED IN GS -22-008.
  4. THE PRODUCT WILL WITHSTAND EXPOSURE TO 260 DEGREE PEAK TEMPERATURE FOR 20 SECONDS IN A WAVE SOLDER APPLICATION WITH A 1.6mm MINIMUM THICK CIRCUIT BOARD.
  - 5.PACKAGING SPEC: SEE GS-14-920

European Views

www.fciconnect.com		surface ISO 1302 ✓	tolerance std ISO 406 ISO 1101	projection mm
		TOLERANCES UNLESS OTHERWISE SPECIFIED		mm
Dr	Visschers	91/10/21	0.X ±0.1	size A3
Eng	W.V.Alst	01/03/27	0.XX ±0.1	Scale 10:1
Chr	M.Loman	91/10/21	0.XX ±2*	ECN LS08-0057
Appr	H.Cooymans	91/10/21	0.XXX ±0.1	Spec ref -
Product family			METRAL	
FCI title POWER INSERT R. A. MALE DIN		catalog no -		Rev. G
91315		CUSTOMER sheet 1 of 1		

rev	ecn no	dr	date
F	LS06-0022	LGO	06/03/06
G	LS08-0057	LGO	2008/02/18
-	-	-	-
-	-	-	-
-	-	-	-
-	-	-	-

Copyright FCI.