

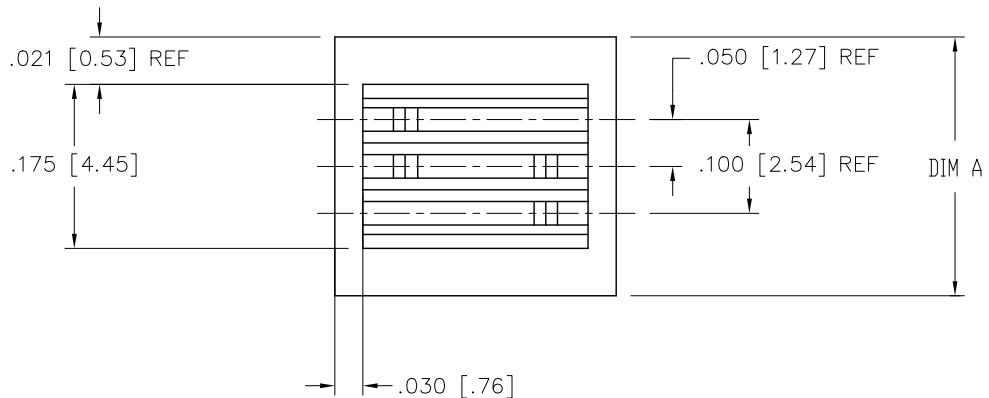
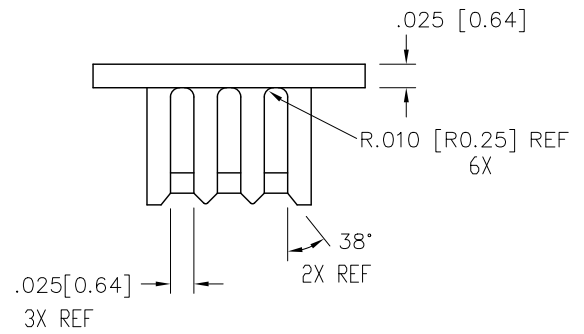
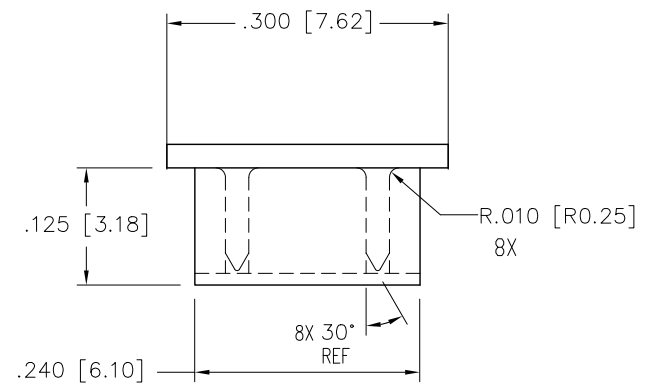
AFCI CONFIDENTIAL

Amphenol  
FCI

This document is the property of and embodies CONFIDENTIAL and PROPRIETARY information of AFCI. No part of the information shown on this document may be used in any way or disclosed to others without the written consent of AFCI.

PRODUCT NO.	DIM A	COLOR
95730-001	INTERNAL USE ONLY	
95730-002	.2760/7.010	NATURAL
95730-003	.2170/5.512	BLACK

OBSOLETE



NOTES:

1. MATERIAL: 100% REGRIND PCT DR PA9T.
2. PACKAGE IN POLYBAGS.

mat'l. code				surface		tolerance		projection	product family		
				ISO 1302 ✓		ISO 406 ISO 1101			BERGSTIK		
ltr	ecn no	dr	date	tolerances unless otherwise specified				 scale 1:1	title		
A	V03-0128	HTB	1/29/03	linear	.X±0.3		BERGSIK® II HEADER				
B	V03-1069	PJ	10/2/03	angles	.XX±0.13		PICK-UP CAP				
C	M06-0271	AGS	7/15/06	0±2'	.XXX±0.051						
D	M07-0385	MHT	8/28/07	dr	T.BREWBAKER 1/29/03		dwg no		sheet 1 of 1	size	
E	ELX-N-41277	MKX	6/24/21	chr	H.SUNDY 1/29/03		95730		A3		
				appd	H.SUNDY 1/29/03		type Product Customer Drawing				
sheet index	revision sheet	E	1								