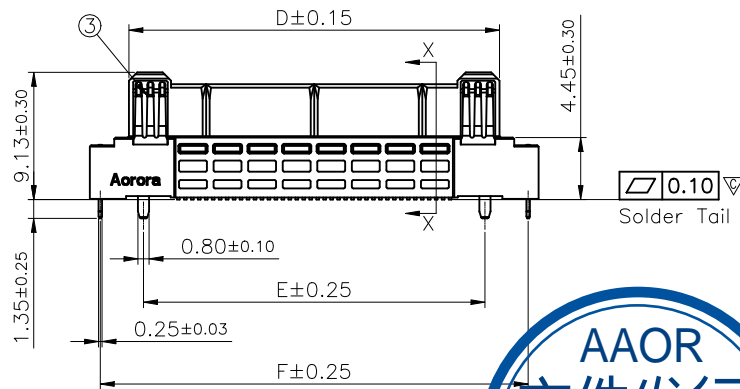
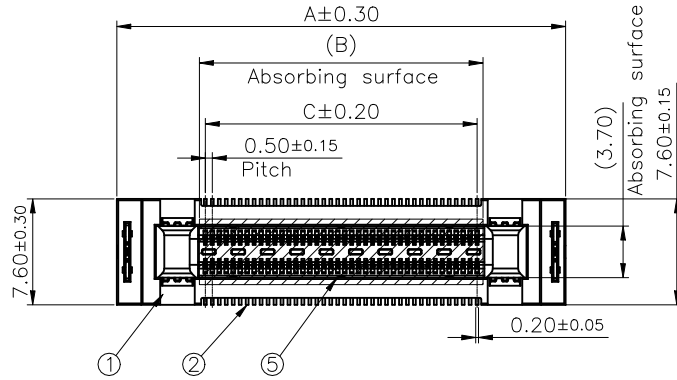
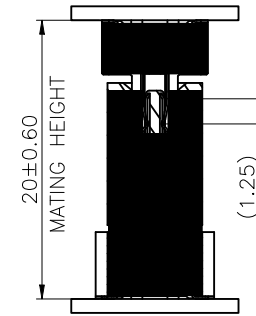
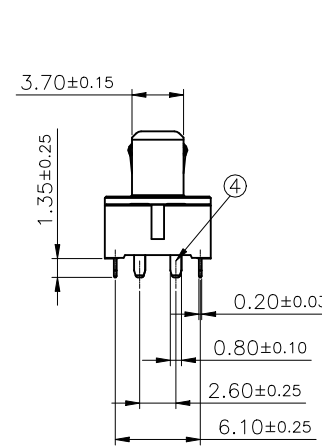


Halogen free



REV.	ECR/ECN No.	DESCRIPTION	DRAWN/DATE	CHECKED/DATE	APPROVED/DATE
A	/	New Release	SH Chen 2022-08-22	May 2022-08-22	Rain 2022-08-22
NO.	COMPONENTS	MATERIALS	SPECIFICATION:FINISH/COLOR		QTY.
1	HOUSING	GLASS FILLED LCP UL94V-0	BLACK		1
2	SIGNAL CONTACT	COPPER ALLOY T=0.15mm	ALL OVER Ni UNDER PLATING:40u''~120u'' CONTACT AREA: Au 4u'' MIN. SOLDER AREA: Au 2u''Min.		N
3	POWER CONTACT	COPPER ALLOY T=0.20mm	ALL OVER Ni UNDER PLATING:40u''~120u'' CONTACT AREA: Au 4u'' MIN. SOLDER AREA: Au 2u''Min.		4
4	FIXING TAB	COPPER ALLOY T=0.25mm	ALL OVER Ni UNDER PLATING:40u''~120u'' SOLDER AREA: Au 2u''Min.		2
5	MYLAR	THERMOSTABLE T=0.10mm	YELLOW		1

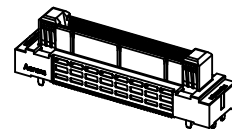


SECTION X-X
 FLOATING RANGE TOWARD
 X DIRECTION: ±0.80
 Y DIRECTION: ±0.80
 Z DIRECTION: ±0.60
 ASSEMBLY DRAWING

DIMENSION LIST:

PIN No.	A	B	C	D	E	F
20	17.20	5.35	4.50	11.59	9.50	15.70
40	22.20	10.35	9.50	16.59	14.50	20.70
60	27.20	15.35	14.50	21.59	19.50	25.70
80	32.20	20.35	19.50	26.59	24.50	30.70
A0(100)	37.20	25.35	24.50	31.59	29.50	35.70
B0(120)	42.20	30.35	29.50	36.59	34.50	40.70

AAOR
文件发行
禁止拷贝
2022/8/25



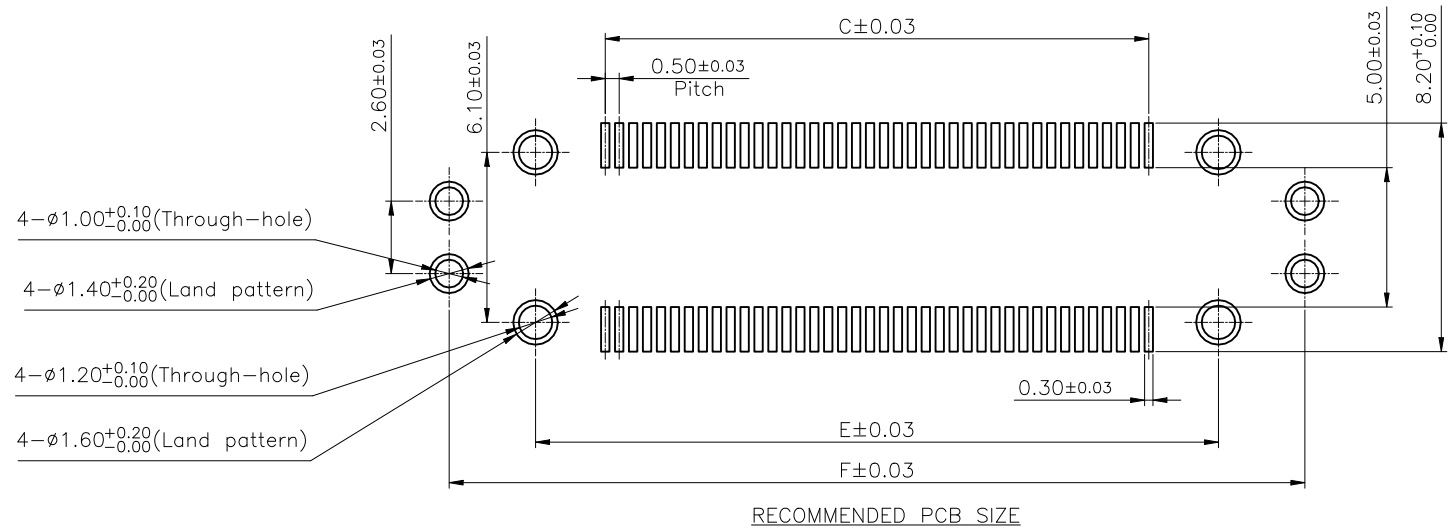
PIN No.: 80PIN

NOTES:

- BURRS OF CONTACT AREA ARE NOT ALLOWED AND INTERPOSITION AREA SHOULD BE 0.03MM MAX.
- "▽" MARK IS CRITICAL CHARACTERISTIC DIMENSION.
- ALL MATERIAL MUST BE COMPLY RoHS.
- PART NO.: B06P-3G1B1-AA180-1110

UNLESS OTHERWISE SPECIFIED TOLERANCES		ANGLE OF PROJECTION		Amphenol AORORA	
X.	±0.30	X. °	± 5'	Amphenol Aorora Technology (Huizhou) Co.,Ltd	
X.X	±0.25	X.X °	± 4'	TITLE: 0.5mm Pitch SH20 Floating BTB Plug Conn.	
X.XX	±0.20	X.XX °	± 3'	Customer Drw	SIZE PART NUMBER: A4 B06P-3G1B1-AA1**-1110
X.XXX	±0.15	X.XXX °	± 2'	Customer Drw	REV. A
LINEAR DIMS		ANGLES DIMS		SCALE	2:1 UNIT : mm SHEET 1 OF 3
DWG NO.:	A-S0742	DRAWN DATE		SH Chen	2022-08-22
MATERIAL	SEE NOTES	DESIGN DATE		SH Chen	2022-08-22
FINISHED	SEE NOTES	CHECKED DATE		May	2022-08-22
		APPROVED DATE		Rain	2022-08-22

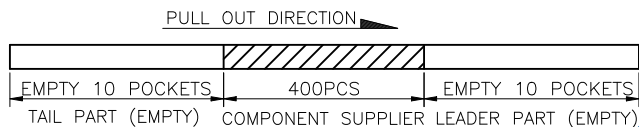
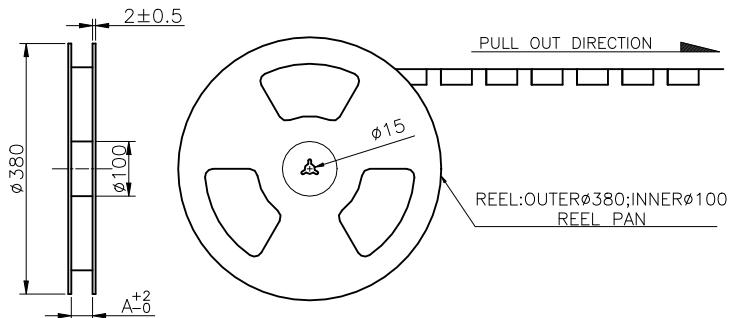
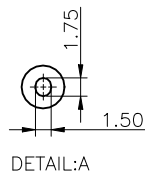
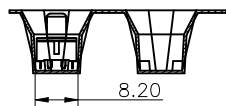
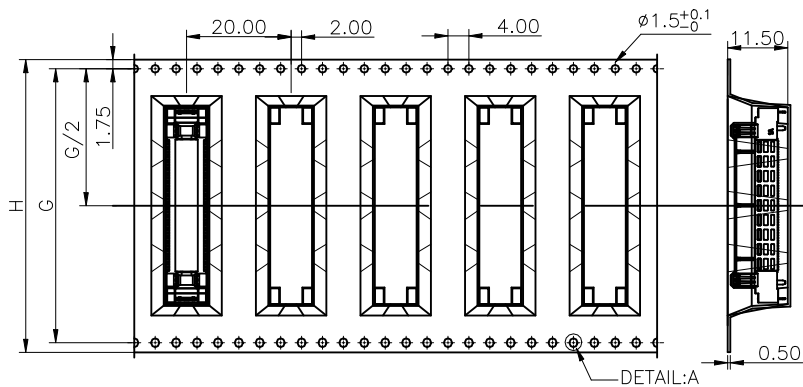
This document is the property of and embodies CONFIDENTIAL and PROPRIETARY information of AAOR. No part of the information shown on this document may be used in any way or disclosed to others without the written consent of AAOR. © 2019 AAOR



This document is the property of and embodies CONFIDENTIAL and PROPRIETARY information of AAOR. No part of the information shown on this document may be used in any way or disclosed to others without the written consent of AAOR. © 2019 AAOR

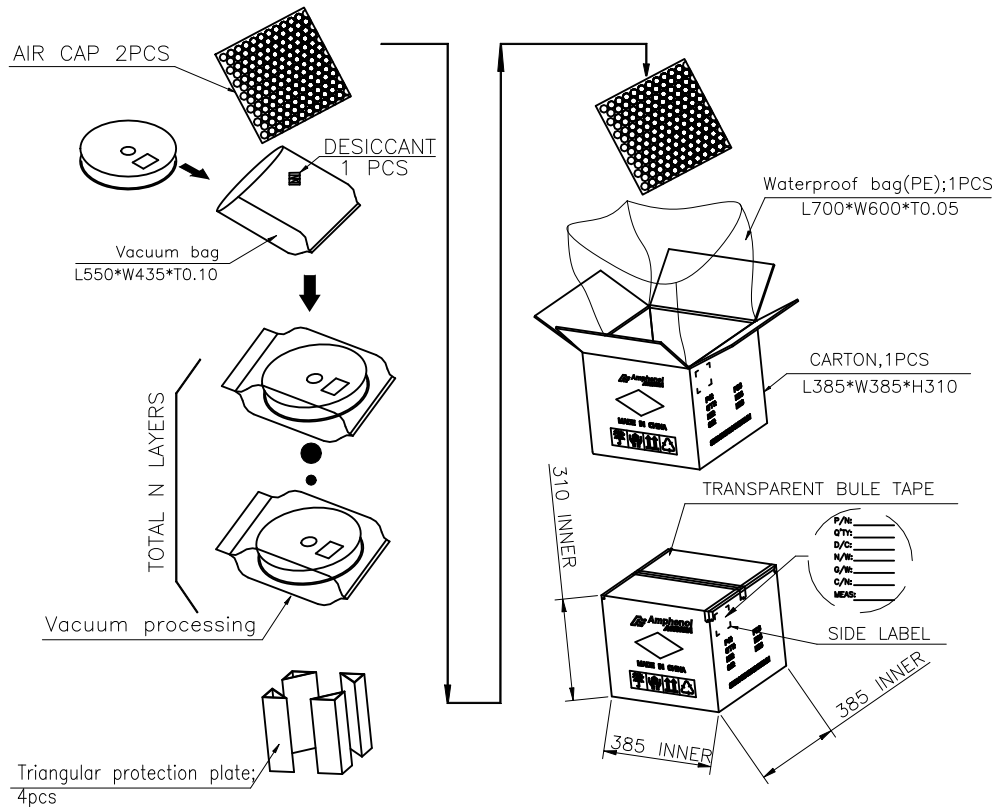
UNLESS OTHERWISE SPECIFIED TOLERANCES			ANGLE OF PROJECTION		 Amphenol Aorora Technology (Huizhou) Co.,Ltd	
X.	±0.30	X. °	± 5'			
X.X	±0.25	X.X °	± 4'	DOC TYPE		TITLE: 0.5mm Pitch SH20 Floating BTB Plug Conn.
X.XX	±0.20	X.XX °	± 3'	Customer Drw		
X.XXX	±0.15	X.XXX °	± 2'	DRAWN	SH Chen	SIZE
LINEAR DIMS		ANGLES DIMS		DATE	2022-08-22	
DWG NO.:	A-S0742			DESIGN	SH Chen	REV.
MATERIAL	SEE NOTES			DATE	2022-08-22	A
FINISHED	SEE NOTES			CHECKED	May	SCALE
				DATE	2022-08-22	
				APPROVED	Rain	UNIT : mm
				DATE	2022-08-22	SHEET 2 OF 3

PULL OUT DIRECTION



5. QTY LIST:

DIM NO.	20pin	40pin	60pin	80pin	100pin	120pin
H	44.00	44.00	56.00	56.00	56.00	72.00
G	40.40	40.40	52.40	52.40	52.40	68.40
N	6	6	5	5	5	4
TOTAL(PCS)	2400	2400	2000	2000	2000	1600



NOTES:

- MATERIAL:
 - CARRY TAPE:HIPS,T=0.50mm,CLEAR
 - REEL:HIPS,BLUE.
 - SHIM:PE,CLEAR.
- PRIMARY PACKING:400PCS/REEL.
- SECONDARY PACKING:"N"REELS/CARTON ("TOTAL"=N*400/CARTON).
- PEELING RESISTANCE: 0.4N~1.4N(40~140gf);
PEELING ANGLE: 165°~180°;
PEELING SPEED: 300mm/minutes.



UNLESS OTHERWISE SPECIFIED TOLERANCES		ANGLE OF PROJECTION		Amphenol AORORA	
X.	±0.30	X. '	± 5'	Amphenol Aorora Technology (Huizhou) Co.,Ltd	
X.X	±0.25	X.X '	± 4'	TITLE: 0.5mm Pitch SH20 Floating BTB Plug Conn.	
X.XX	±0.20	X.XX '	± 3'	SIZE: A4	
X.XXX	±0.15	X.XXX '	± 2'	PART NUMBER: B06P-3G1B1-AA1**-1110	
LINEAR DIMS		ANGLES DIMS		REV. A	
DWG NO.:	A-S0742		Customer Drw	SCALE: 1:1	
MATERIAL	SEE NOTES		DRAWN DATE: SH Chen 2022-08-22	UNIT: mm	
FINISHED	SEE NOTES		DESIGN DATE: SH Chen 2022-08-22	SHEET 3 OF 3	
			CHECKED DATE: May 2022-08-22		
			APPROVED DATE: Rain 2022-08-22		

This document is the property of and embodies CONFIDENTIAL and PROPRIETARY information of AAOR. No part of the information shown on this document may be used in any way or disclosed to others without the written consent of AAOR. © 2019 AAOR

