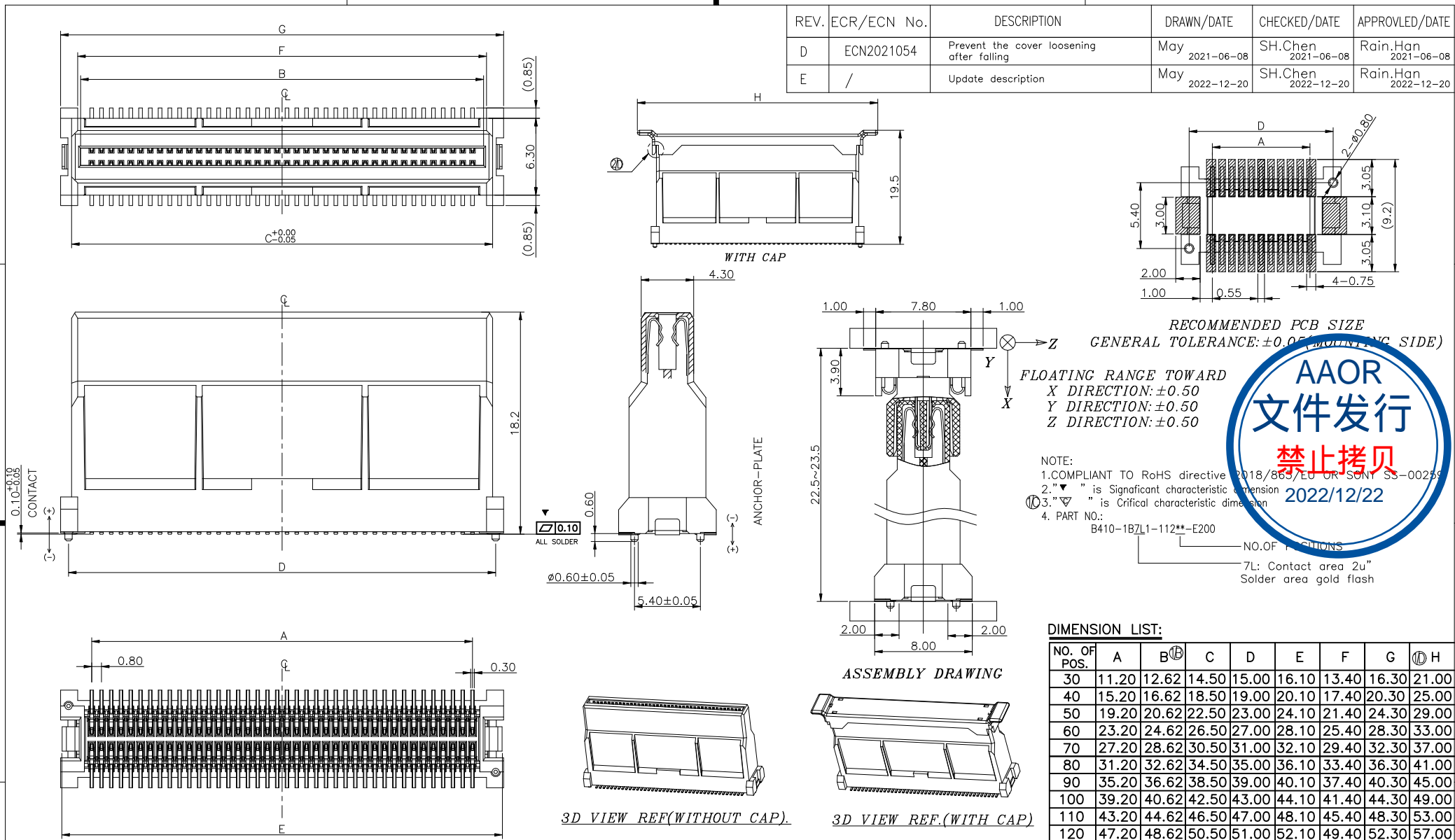


This document is the property of and embodies CONFIDENTIAL and PROPRIETARY information of AOR. No part of the information shown on this document may be used in any way or disclosed to others without the written consent of AOR. © 2019 AOR



REV.	ECR/ECN No.	DESCRIPTION	DRAWN/DATE	CHECKED/DATE	APPROVED/DATE
D	ECN2021054	Prevent the cover loosening after falling	May 2021-06-08	SH.Chen 2021-06-08	Rain.Han 2021-06-08
E	/	Update description	May 2022-12-20	SH.Chen 2022-12-20	Rain.Han 2022-12-20

RECOMMENDED PCB SIZE  
GENERAL TOLERANCE: ±0.05 (MOUNTING SIDE)

FLOATING RANGE TOWARD  
X DIRECTION: ±0.50  
Y DIRECTION: ±0.50  
Z DIRECTION: ±0.50

- NOTE:  
1.COMPLIANT TO RoHS directive 2018/853/EU OR SONY SS-00259  
2."▽" is Significant characteristic dimension  
3."▽" is Critical characteristic dimension  
4. PART NO.:  
B410-1B7L1-112\*\*-E200

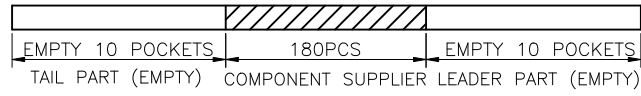
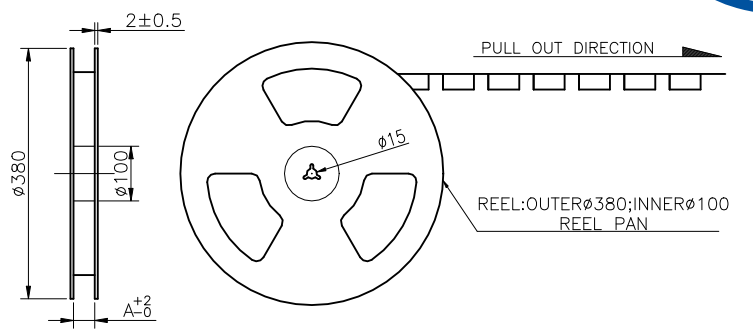
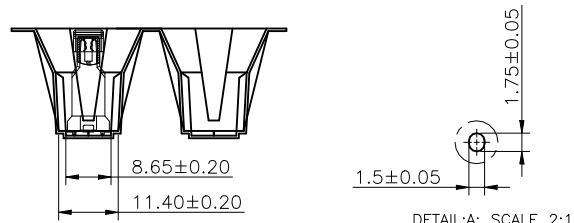
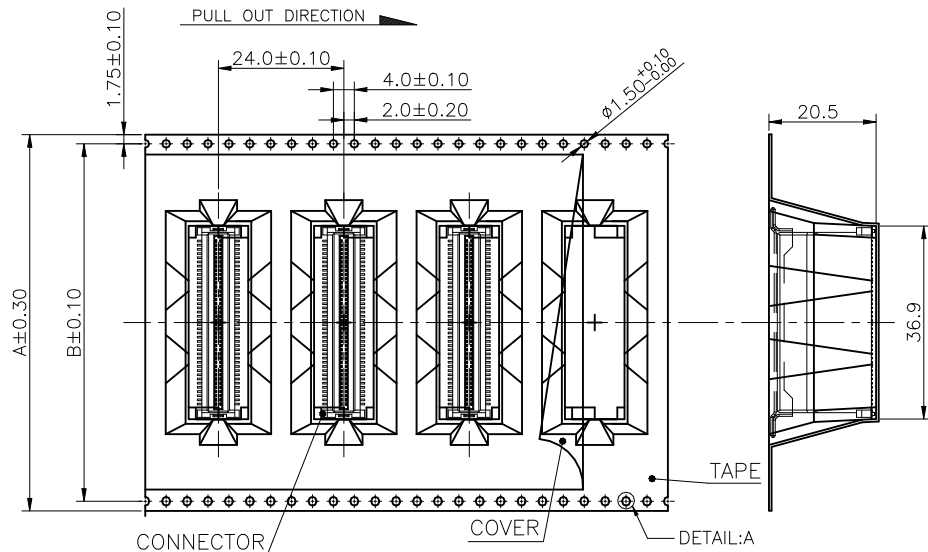


**DIMENSION LIST:**

NO. OF POS.	A	B <sup>①</sup>	C	D	E	F	G	H <sup>②</sup>
30	11.20	12.62	14.50	15.00	16.10	13.40	16.30	21.00
40	15.20	16.62	18.50	19.00	20.10	17.40	20.30	25.00
50	19.20	20.62	22.50	23.00	24.10	21.40	24.30	29.00
60	23.20	24.62	26.50	27.00	28.10	25.40	28.30	33.00
70	27.20	28.62	30.50	31.00	32.10	29.40	32.30	37.00
80	31.20	32.62	34.50	35.00	36.10	33.40	36.30	41.00
90	35.20	36.62	38.50	39.00	40.10	37.40	40.30	45.00
100	39.20	40.62	42.50	43.00	44.10	41.40	44.30	49.00
110	43.20	44.62	46.50	47.00	48.10	45.40	48.30	53.00
120	47.20	48.62	50.50	51.00	52.10	49.40	52.30	57.00

NO.	COMPONENTS	MATERIALS	SPECIFICATION:FINISH/COLOR	QTY.
1	HOUSING	HIGH TEMPERATURE MATERIAL UL94V-0	BLACK	1
2	ANCHOR-PLATE	BRASS, T=0.20±0.01mm	ALL OVER 80u" MIN. MATTE TIN UNDERPLATING:40u" NICKEL MIN.	2
3	CONTACT	PHOSPHOR BRONZE, T=0.15±0.01mm	CONTACT AREA 2u" MIN. GOLD, PLATED UNDERPLATING:GOLD FLASH AND FOOT UNDERPLATING:40u" NICKEL MIN.	N
4	CAP	GLASS FILLED LCP,UL94V-0	NATURAL	1

UNLESS OTHERWISE SPECIFIED TOLERANCES		ANGLE OF PROJECTION		Amphenol AORORA	
X.	±0.30	X. *	± 5°	Amphenol Aorora Technology (Huizhou) Co.,Ltd	
X.X	±0.25	X.X *	± 4°	Customer Drw	
X.XX	±0.20	X.XX *	± 3°	DRAWN	DATE
X.XXX	±0.15	X.XXX *	± 2°	DATE	May 2022-12-20
LINEAR DIMS		ANGLES DIMS		DESIGN	DATE
				DATE	May 2022-12-20
DWG NO.:	A-S0514			CHECKED	DATE
				DATE	SH.Chen 2022-12-20
MATERIAL	SEE NOTES			APPROVED	DATE
				DATE	Rain.Han 2022-12-20
FINISHED	SEE NOTES			SCALE	4:1
				UNIT	mm
				SHEET	1 OF 2
				TITLE:	Assembly Drawing For 0.8mm Pitch Floating board to board Socket_H18.2 connector series
				SIZE	A4
				PART NUMBER:	B410-1B7L1-112**-E200
				REV.	E

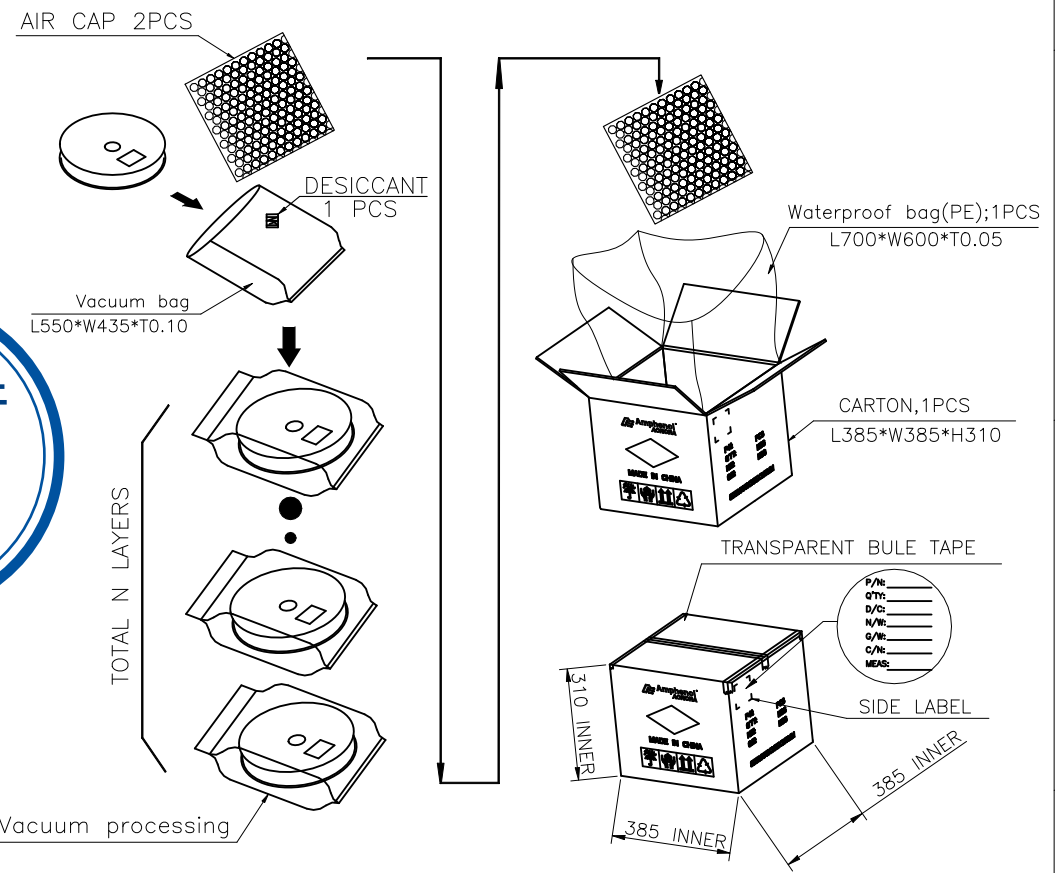


NOTES:

- MATERIAL:
  - CARRY TAPE:HIPS,T=0.50mm,CLEAR
  - REEL:HIPS,BLUE.
  - SHIM:PE,CLEAR.
- PRIMARY PACKING:180PCS/REEL.
- SECONDARY PACKING:"4"REELS/CARTON ("TOTAL"=N\*180pcs/CARTON).
- PEELING RESISTANCE: 0.1N~0.7N(10~70gf);  
PEELING ANGLE: 165°~180°;  
PEELING SPEED: 300mm/minutes.

5. QTY LIST:

DIM	NO.	60pin	80pin	90pin
A		56.00	72.00	72.00
B		52.40	68.40	68.40
N		5	4	4
TOTAL(PCS)		900	720	720



UNLESS OTHERWISE SPECIFIED TOLERANCES			ANGLE OF PROJECTION		 Amphenol Aorora Technology (Huizhou) Co.,Ltd
X.	±0.30	X. *			
X.X	±0.25	X.X *			
X.XX	±0.20	X.XX *			
X.XXX	±0.15	X.XXX *			
LINEAR DIMS		ANGLES DIMS			
DWG NO.:	A-S0514		DOC TYPE: Customer Drw		TITLE: Assembly Drawing For 0.8mm Pitch Floating board to board Socket_H18.2 connector series
MATERIAL	SEE NOTES		DRAWN DATE: May 2022-12-20	DESIGN DATE: May 2022-12-20	SIZE: A4
FINISHED	SEE NOTES		CHECKED DATE: SH.Chen 2022-12-20	APPROVED DATE: Rain.Han 2022-12-20	PART NUMBER: B410-1B7L1-112**-E200
			SCALE: 1:1	UNIT: mm	SHEET 2 OF 2

This document is the property of and embodies CONFIDENTIAL and PROPRIETARY information of AAOR. No part of the information shown on this document may be used in any way or disclosed to others without the written consent of AAOR. © 2019 AAOR