

PT NO	PARTS NAME	CAT. NO.	MATERIAL	Q'TY	NOTE
1	REEL	—	CARDBOARD OR POLYSTYRENE	1	—
2	PLASTIC (EMBOSS) TAPE	—	PET RESIN OR PP RESIN	—	COLOR : TRANSPARENCY
3	COVER	—	POLYESTER	—	COLOR : TRANSPARENCY
4	CONNECTOR	BTFW_R-3RSTLF	SEE ATTACHED DWG	700	

DIMENSIONS

CATALOG NUMBER	NO OF CONTACT ONLY EVEN POS)	A	B	C
BTFW10~14R-3RSTE1LF	10~14	38.4	32	28.4
BTFW16~24R-3RSTE1LF	16~24	50.4	44	40.4
BTFW26~30R-3RSTE1LF	26~30	62.4	56	52.4

- NOTES
1. THIS IS PLASTIC TAPE PACKAGED CONNECTOR USED FOR BOARD TO BOARD COPE WITH AUTOMATIC MOUNTING (SMT)
 2. SEE JIS C 0806 (PACKING OF ELECTRONIC COMPONENTS ON CONTINUOUS TAPES (SURFACE MOUNTING DEVICES)) FOR SHAPE AND DIMENSIONS OF PLASTIC (EMBOSS) TAPE AND REEL
 3. THIS DIMENSION IS PORTION OF THE CORE.

mat'l. code		surface ISO 1302 ✓		tolerance ISO 406 ISO 1101		projection 		product family 590F	
lfr		ecn no		dr		date		title PLASTIC TAPE PACKAGED BOARD TO BOARD RECEPTACLE CONNECTOR (LEAD FREE) (CAT No BTFW__R-3RSTE1LF)	
A		J05-0470		MK		Aug 2, 05		dwg no JSA 96634	
B		J07-0021		MK		Jan 15, 07			
				angles ±5°		linear ±5		scale	
				dr		K.Higuchi		sheet 1 of 1	
				engr		M.Koga		size A4	
				chr		K.Higuchi		type Product Customer Drawing	
				appd		M.Koga			
sheet index		revision sheet						Rev B	



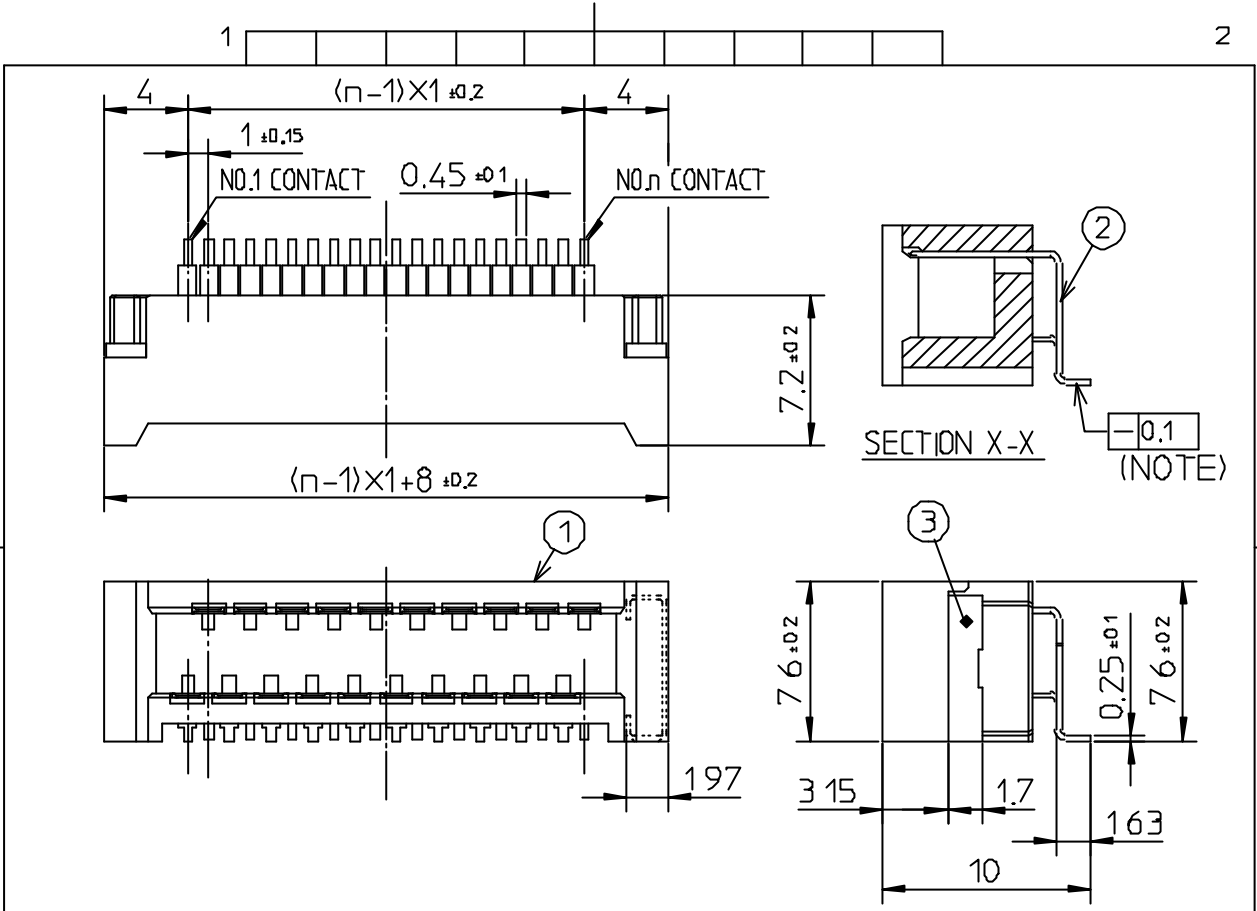
FCJconnect.com

Copyright FCJ



D

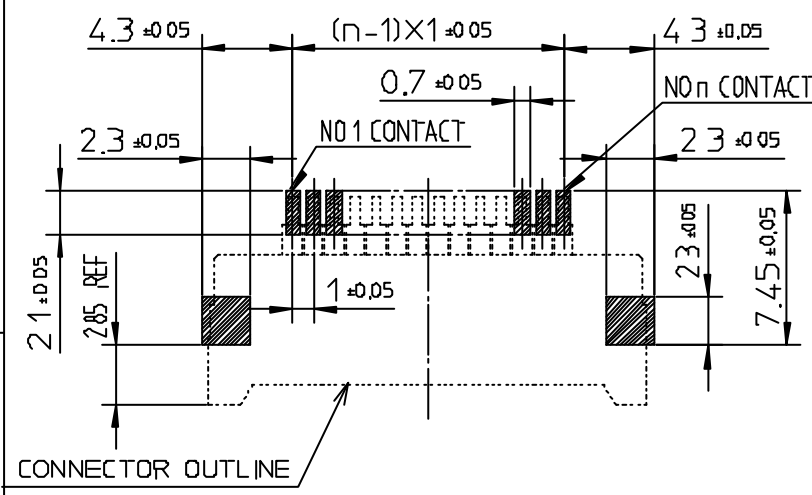
D



PT NO	PARTS NAME	MATERIAL	Q'TY	NOTE
1	HOUSING	GLASS FILLED THERMOPLASTIC RATED (UL94V-0)	1	COLOR BRACK
2	CONTACT	BRASS	n	PLATING TN (LEAD FREE)
3	MOUNTING PLATE	BRASS	2	PLATING TN (LEAD FREE)

RECOMMENDED PC BOARD LAYOUT
(COMPONENT SIDE)

n: NO OF CONTACTS
(10 TO 30, ONLY EVEN POS)



NOTE
1 Flatness for contact terminal and mounting plate must be within 0.1.
2 This product meets European Union Directives and other country regulations as described in GS-22-008

mat'l code		surface	tolerance	projection	product family
		ISO 1302 ✓	ISO 406 ISO 1101		590F
lfr	ecn no	dr	date	title	
A	J05-0470	M.K	Aug 2, 05	FLOATING BOARD TO BOARD RECEPTACLE CONNECTOR (LEAD FREE)	
B	J07-0021	M.K	Jan 15, 07	(CAT No. BTFW_R-3RSTLF)	
		angles	linear	scale	
			±0.3		
		dr	K Higuchi	Jan 15, 07	dwg no
		enr	M Koga	Jan 15, 07	sheet 1 of 1
		ctr	K Higuchi	Jan 15, 07	size
		appd	M Koga	Jan 15, 07	A4
sheet index		revision sheet			type
					Product Customer Drawing
					Rev
					B



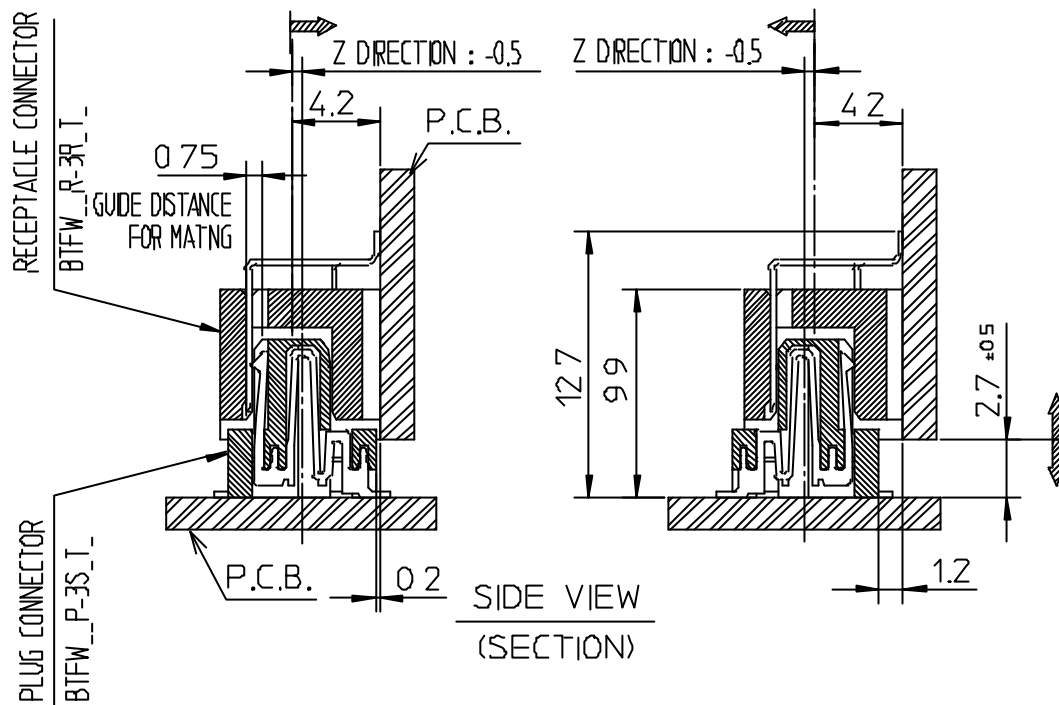
FCIconnect.com

Copyright FCI



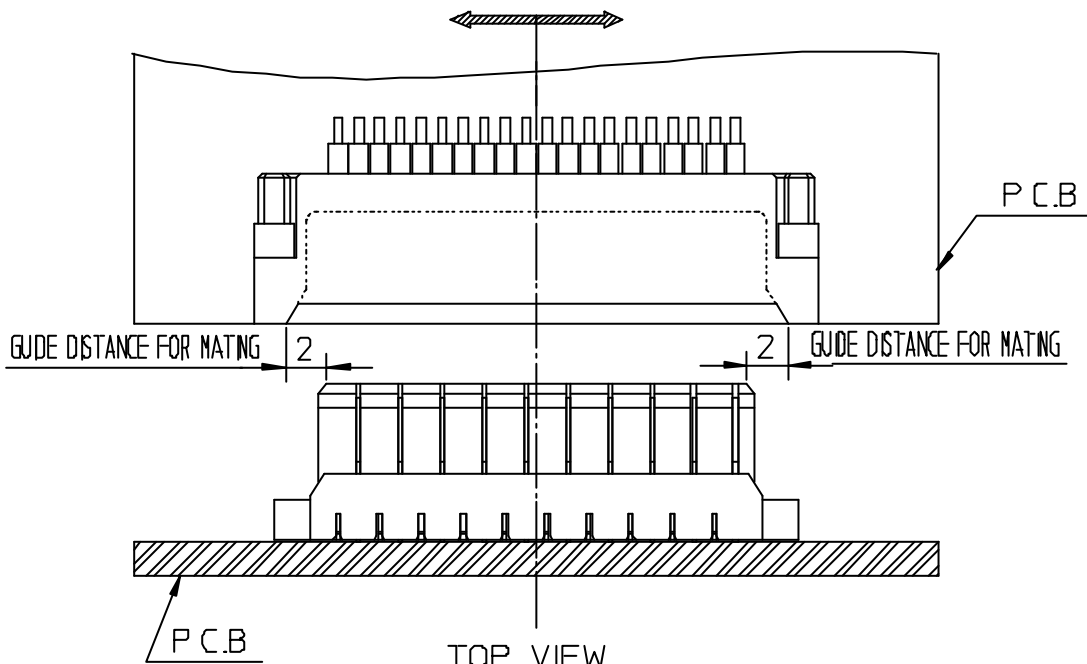
THIS FIGURE SHOW THE CONNECTOR MATNG BY MAKING CENTER AS CRITERIA

FLOATING ALLOWANCE MATING DIRECTION ± 0.5
 PITCH DIRECTION ± 0.8
 Z DIRECTION : ± 0.5



SIDE VIEW
(SECTION)

PITCH DIRECTION : ± 0.8



TOP VIEW



FCIconnect.com

Copyright FCI

mat'l code		surface <input checked="" type="checkbox"/> ISO 1302		tolerance <input checked="" type="checkbox"/> ISO 406 <input type="checkbox"/> ISO 1101		projection		product family 590F	
ltr	ec'n no	dr	date	tolerances unless otherwise specified				title CROSS SECTION OF MATED CONDITION (CAT.No.BTFW_P-3S_T_ BTFW_R-3R_T_)	
AA	J04-0331	H.T	Oct,13,04	angles	linear	± 0.3		scale	
AB	J05-0470	M.K	Aug,2,05						
AC	J07-0021	M.K	Jan15,07	dr		K Higuchi	Jan15,07	dwg no sheet 1 of 1 size	
				engr		M.Koga	Jan15,07	JSA 94532 A4	
				chr		K Higuchi	Jan15,07	type Product Customer Drawing	
				appd		M.Koga	Jan15,07		
sheet index	revision sheet								Rev AC