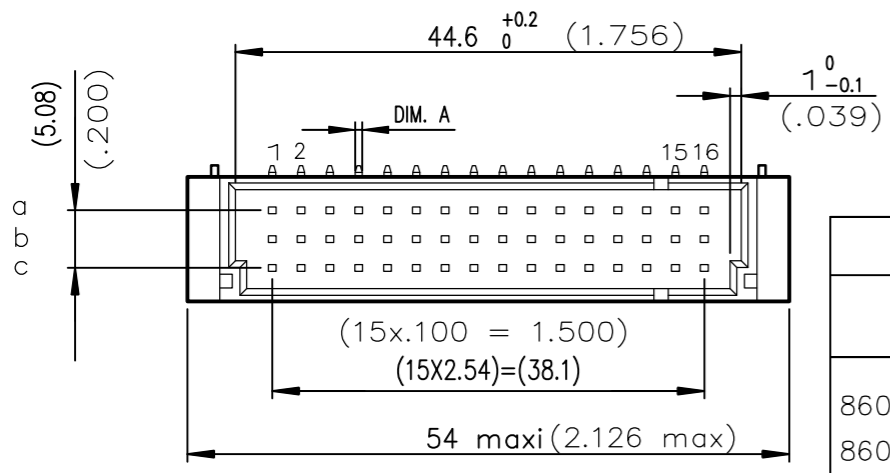
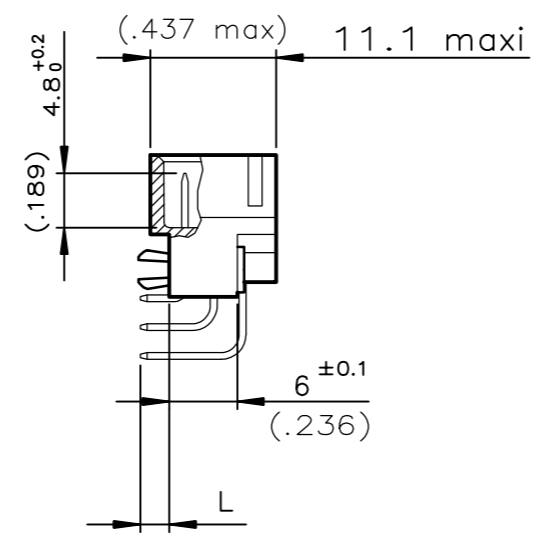
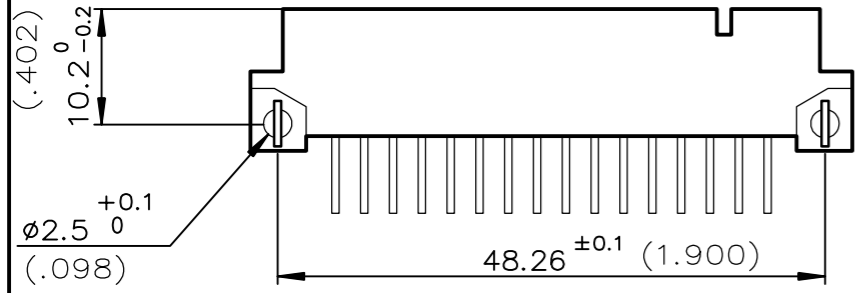


DIMENSIONS mm (inches)



TIN LEAD	LEAD FREE	
8609 348 73 13 755 000 E1	8609 348 73 13 755 E1 LF	Style C/2 header, 48 Position, solder to board, class 2
8609 348 73 13 765 000 E1	8609 348 73 13 765 E1 LF	Style C/2 header, 48 Position, solder to board, class 1
8609 348 73 13 H55 000 E1	8609 348 73 13 H55 E1 LF	Style C/2 header, 48 Position, solder to board, class 2 fixing clips
8609 432 73 13 755 000 E1	8609 432 73 13 755 E1 LF	Style C/2 header, 32 Position, solder to board, class 2
8609 432 73 13 H55 000 E1	8609 432 73 13 H55 E1 LF	Style C/2 header, 32 Position, solder to board, class 2 fixing clips

TIN LEAD	LEAD FREE	
8609 348 73 13 745 000 E1	8609 348 73 13 745 E1 LF	Style C/2 header, 48 Position, solder to board, class 3
8609 348 73 13 H45 000 E1	8609 348 73 13 H45 E1 LF	Style C/2 header, 48 Position, solder to board, class 3 fixing clips
8609 348 73 13 H65 000 E1	8609 348 73 13 H65 E1 LF	Style C/2 header, 48 Position, solder to board, class 1 fixing clips
8609 432 73 13 765 000 E1	8609 432 73 13 765 E1 LF	Style C/2 header, 32 Position, solder to board, class 1
8609 432 73 13 H65 000 E1	8609 432 73 13 H65 E1 LF	Style C/2 header, 32 Position, solder to board, class 1 fixing clips

Application specific part-numbers: See sheet 2

Copyright AFCI. Amphenol FCI

European Views

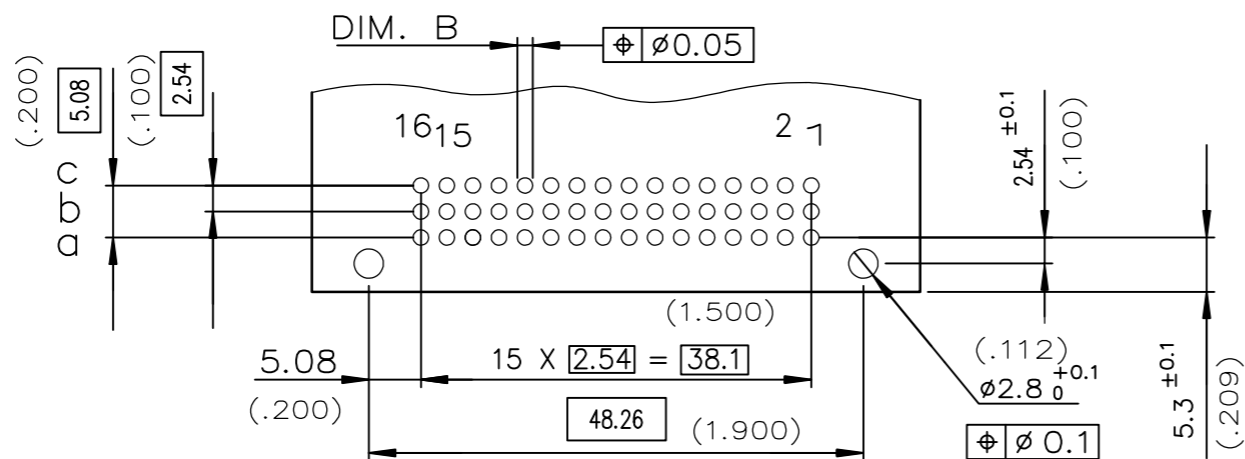
www.fciconnect.com		surface ISO 1302 ✓	tolerance std ISO 406 ISO 1101	projection mm
TOLERANCES UNLESS OTHERWISE SPECIFIED				
Dr	ROUILLARD	1992/06/12	ANGULAR	0.X ±0.1
Eng	TARON	1992/06/12	LINEAR	0.XX ±0.1
Chr	M JACOB	2021/07/28	0.XX' ±2	0.XXX ±0.1
Appr	SANOJ	2021/07/28	Product family	DIN 8609
size				A3
Scale				1.5
ECN				ELX-I-41860
Spec ref				-
RIGHT ANGLE HEADER - STYLE C/2			dwg no	C-8609-0255
SOLDER TO BOARD			Rev.	H
catalog no			CUSTOMER	sheet 1 of 2

rev	ecn no	dr	date
D	-	ROU	2002/08/28
E	LS05-001	JTA	2005/03/01
F	LS06-0097	LGO	2006/07/11
G	ELX-I-26710	MJA	2017/04/18
H	ELX-I-41860	SA	2021/07/28
-	-	-	-
-	-	-	-

GENERAL CHARACTERISTICS AND ROHS INFORMATIONS:  
SEE DRAWING C-8609-0000A

PART NUMBER		8609			73					5			
PIN OUT		rows a-b-c		3		48		rows a-c		4		32	
NUMBER OF CONTACTS													
TERMINATION		L = 2.75 ±0.15 (.108)		A = $\phi 0.6^{-0.08}$		B = $\phi 0.8_0^{+0.3}$		13					
		L = 4.15 ±0.15 (.163)		A = 0.6X0.6		B = $\phi 1 \pm 0.1$		23					
OPTIONS		no option		-----		-----		7					
		with harpoons		-----		for PCB thickness 1.6 mm		-----		H			
PERFORMANCE CLASS		DIN 41612 class 3		-----		-----		4					
		DIN 41612 class 2		-----		-----		5					
		DIN 41612 class 1		-----		-----		6					
TERMINATION TYPE		TIN LEAD		-----		-----		000E1					
		LEAD FREE		-----		-----		E1LF					

PCB DRILLING  
component side



GENERAL CHARACTERISTICS AND ROHS INFORMATIONS:  
SEE DRAWING C-8609-0000A European Views

www.fciconnect.com		surface	tolerance std	projection	mm
		ISO 1302	ISO 406 ISO 1101		
		TOLERANCES UNLESS OTHERWISE SPECIFIED			
Dr	ROUILLARD	1992/06/12	ANGULAR	0.X	±0.1
Eng	TARON	1992/06/12	LINEAR	0.XX	±0.1
Chr	M JACOB	2021/07/28	0.XX' ±2'	0.XXX	±0.1
Appr	SANOJ	2021/07/28	Product family		DIN 8609
				size	A3
				Scale	1.5
				ECN	ELX-I-41860
				Spec ref	-
Amphenol FCI		title		RIGHT ANGLE HEADER - STYLE C/2	Rev.
				SOLDER TO BOARD	H
catalog no				dwg no	C-8609-0255
				CUSTOMER	sheet 1 of 2

rev	ecn no	dr	date
D	-	ROU	2002/08/28
E	LS05-001	JTA	2005/03/04
F	LS06-0097	LGO	2006/07/11
G	ELX-I-26710	MJA	2017/04/18
H	ELX-I-41860	SA	2021/07/28
-	-	-	-
-	-	-	-