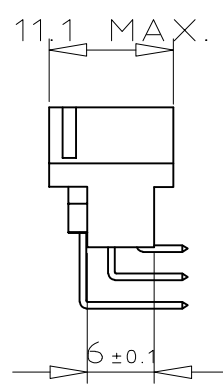
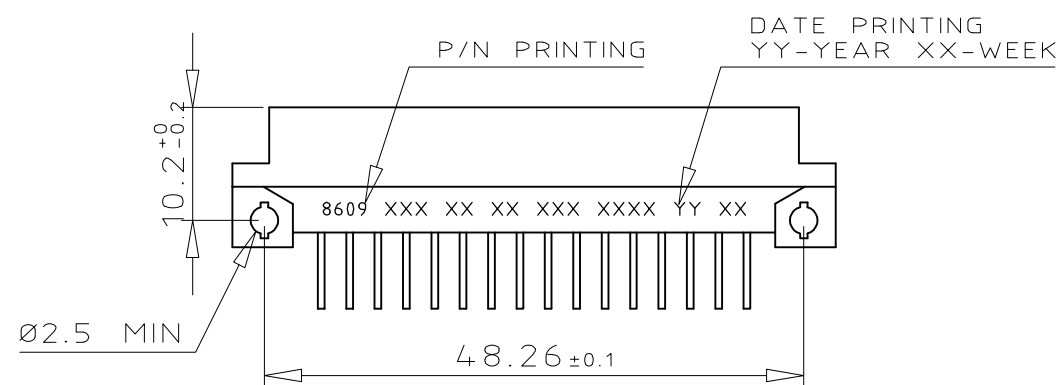
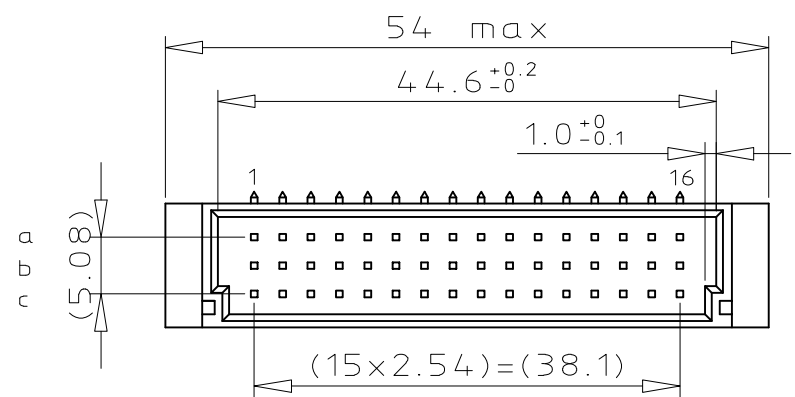
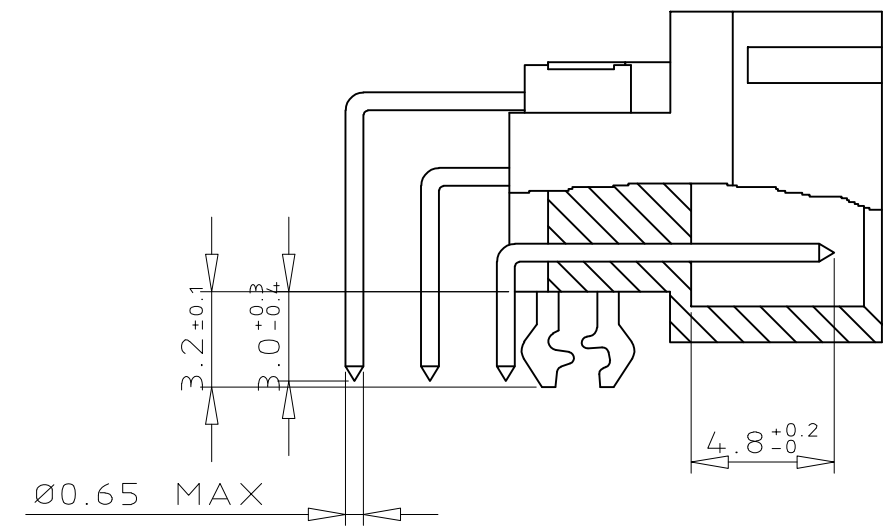


### DIMENSIONS



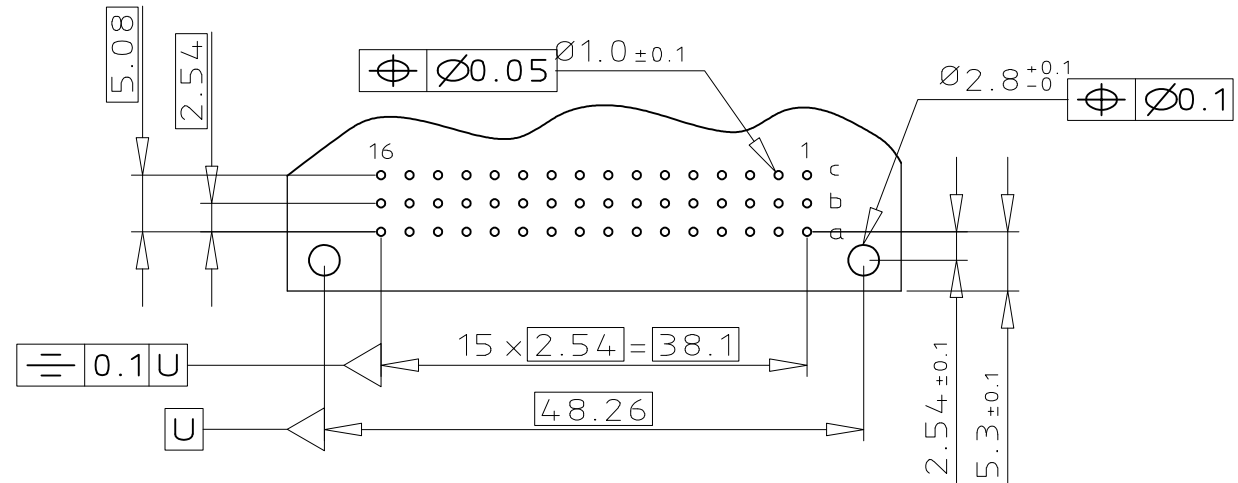
### TERMINATION



### ORDERING INFORMATION

SERIES	8609	3	48	7	3	13	7	4	5	ELF
ROWS FITTED WITH CONTACTS										
ROW a	-	-	-	-	-	-	-	-	-	16
ROW a b c	-	-	-	-	-	-	-	-	-	48
ROW a - c	-	-	-	-	-	-	-	-	-	32
NO. OF CONTACTS										
TYPE OF INSULATOR										
3 ROW MALE INSULATOR										7
METHOD OF MOUNTING										
STANDARD MOUNTING - STYLE C/2										3
TERMINATION										
ANGLED SPILL										13
OPTIONS										
NO OPTION										7
WITH HARPOONS										H
PERFORMANCE CLASS										
DIN 41612 CLASS 3										4
DIN 41612 CLASS 2										5
DIN 41612 CLASS 1										6
AS PER MIL C 55302 / JSS 50808										8
PITCH PER ROW										
2.54 mm										5
LEAD FREE VERSION										ELF

### PCB LAYOUT



GENERAL CHARACTERISTICS & RoHS INFO

REFER DRAWING C-8609-0000A

mat'l. code		surface		tolerance		projection		product family	
SEE DWG C-8609-0000A		ISO 1302 ✓		ISO 406 ISO 1101				8609	
ltr	ecn no	dr	date	tolerances unless otherwise specified		mm		title	
H	ELX-I-40953	MJA	2021-05-19	angles	linear	0.X ±0.1		DIN STANDARD HEADER	
-	-	-	-			0.XX ±0.1		DIN 41612 STYLE C/2	
C	I05-0089	MINI	2005-05-19	0°±2°		0.XXX ±0.1		scale 3:2	
D	I06-0061	MINI	2006-05-31	dr	MINI K V	2004-09-17		dwg no	
E	I08-0146	KR	2008-10-21	engr	RAKHEE G	2004-09-17		sheet 1 of 1	
F	I09-0217	KR	2009-10-13	chr	M JACOB	2021-05-19		size	
G	I10-0020	KR	2010-01-13	appd	SANOJ	2021-05-19		A3	
sheet index		revision		H		Amphenol FCI		type Product Customer Drawing	
1		sheet		1					

Amphenol FCI

Copyright AFCI