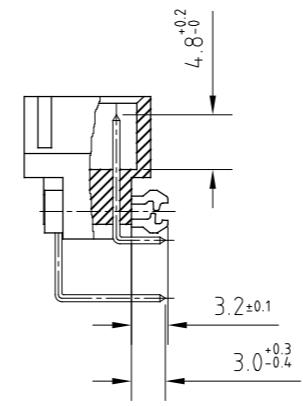
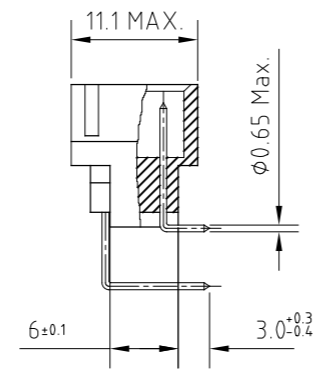
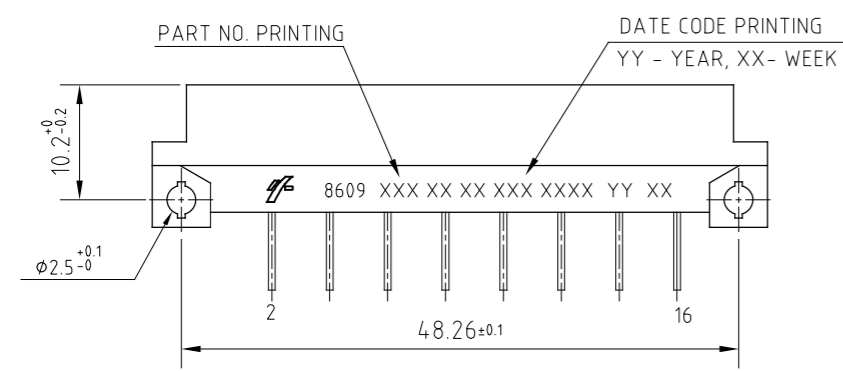
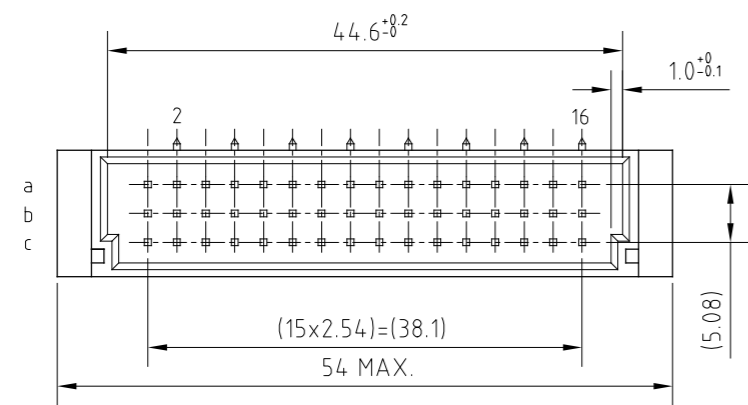




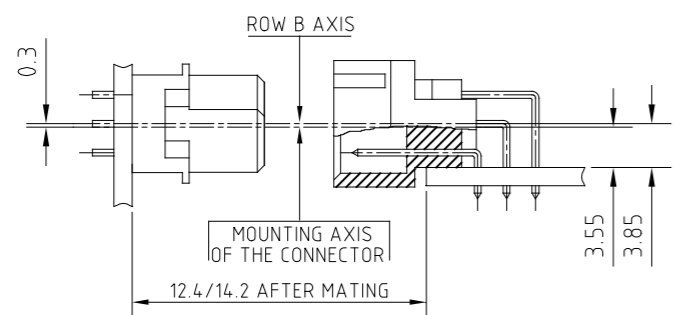
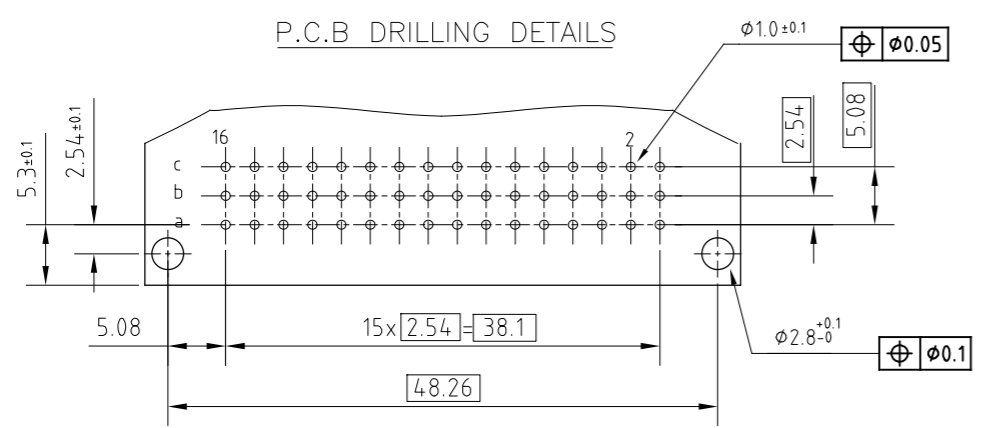
Copyright AFCI



D



P.C.B DRILLING DETAILS



NOTES:

1. THE "LF" PRODUCTS MEET EUROPEAN UNION DIRECTIVES AND OTHER COUNTRY REGULATIONS AS DESCRIBED IN GS-47-0004.
2. THE HOUSING WILL WITHSTAND EXPOSURE TO 260°C PEAK TEMPERATURE FOR 3.5 SECONDS IN A WAVE SOLDER APPLICATION WITH A 1.6 MM MINIMUM THICK CIRCUIT BOARD.
3. LEAD FREE OR RoHS DIRECTIVE LABELING TO BE PROVIDED AS PER GS-14-920 FOR LEAD FREE VERSION.

TECHNICAL SPECIFICATION

HOUSING MATERIAL	:	THERMOPLASTIC POLYESTER UL94V0, GREY
HOUSING CAN WITHSTAND EXPOSURE TO LEAD FREE WAVE SOLDERING TEMPERATURE OF 260-265°C	:	
WHEN USED WITH PROTECTIVE ADHESIVE OR PROTECTIVE METALLIC DEVICE FOR ANGLE CONNECTORS	:	
AS IT IS USED IN CLASSICAL LEAD WAVE SOLDERING AT 235-250°C.	:	
CONTACT & HARPOON MATERIAL	:	COPPER ALLOY
CONTACT ACTIVE ZONE PLATING	:	Au OVER Ni (or) Au+Pd-Ni OVER Ni
CONTACT TERMINATION ZONE PLATING	:	Sn (PURE MATT) OVER Ni
HARPOON PLATING	:	Sn (PURE MATT) OVER Ni

ELECTRICAL DATA

CURRENT RATING AT 20°C	:	1.5 A
CURRENT (I MAX)	:	2 A
TEMPERATURE RANGE	:	-55°C TO +125°C
CONTACT RESISTANCE	:	≤ 20 mΩ
INSULATION RESISTANCE	:	≥ 10 MΩ
TEST VOLTAGE (rms)	:	1000 V

MECHANICAL DATA

INSERTION FORCE PER CONTACT	:	0.94 N
EXTRACTION FORCE PER CONTACT	:	0.15 N
REFERENCE SPECIFICATION	:	DIN 41612 (or) IEC 603-2

SERIES	8609	4	16	7	3	13	7	8	8	ELF
ROWS FITTED WITH CONTACTS										
Rows a - c	4 16									
NUMBER OF CONTACTS										
TYPE OF INSULATOR										
3 ROW MALE INSULATOR	7									
METHOD OF MOUNTING										
STANDARD MOUNTING - STYLE C/2	3									
TERMINATION										
ANGLED SPILL	13									
OPTIONS										
NO OPTION	7									
WITH HARPOONS	H									
PERFORMANCE CLASS										
DIN 41612 CLASS 3	4									
DIN 41612 CLASS 2	5									
DIN 41612 CLASS 1	6									
AS PER MIL C 55302/ JSS 50808	8									
PITCH PER ROW										
5.08mm	8									
LEAD FREE VERSION	ELF									

mat'l. code		surface		tolerance		projection		product family	
-		ISO 1302 ✓		ISO 406 ISO 1101				8609	
ltr		ecn no		dr		date		title	
A		109-0003		JS		2009-01-03		DIN STANDARD HEADER	
B		ELX-I-41247		MJA		2021-06-17		ANGLED SPILL DIN 41612 STYLE-C/2	
C		ELX-I-46598		MJA		2022-11-24			
								dwg no	
								sheet 1 of 1 size	
								C-8609-2162 A3	
								type Product Customer Drawing	
sheet index		revision sheet		c					
				1					