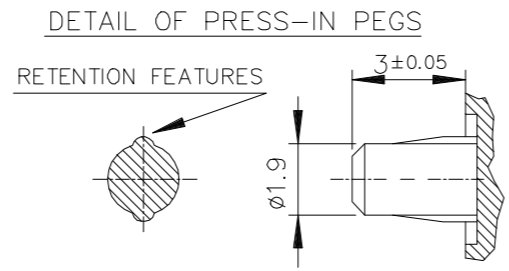
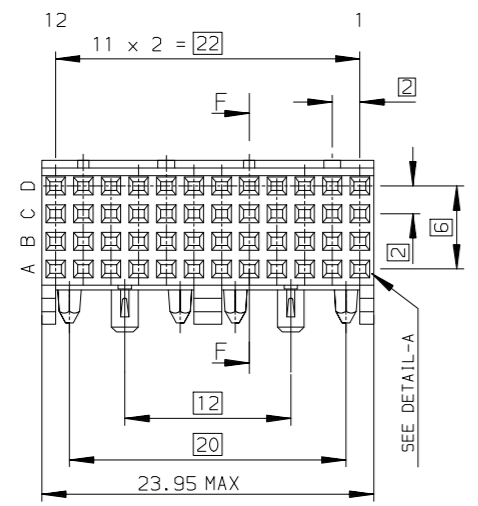
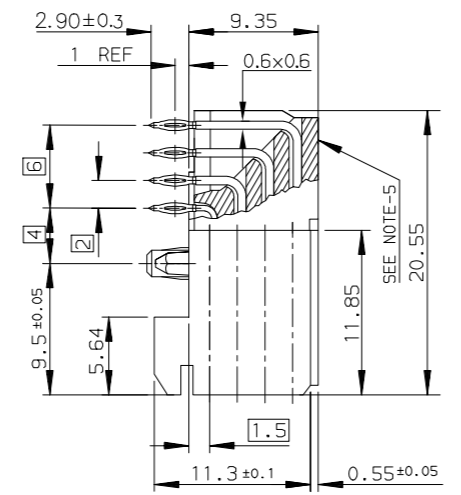
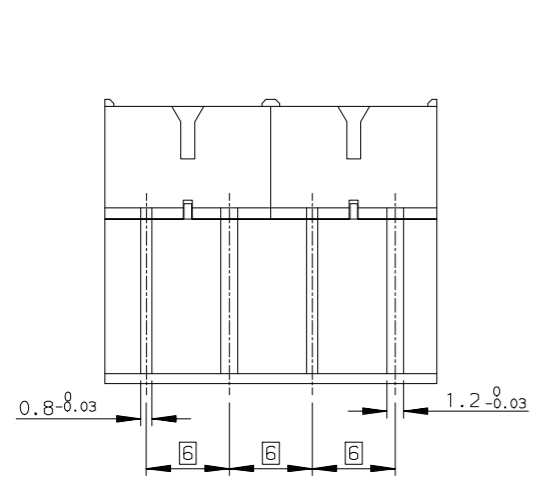
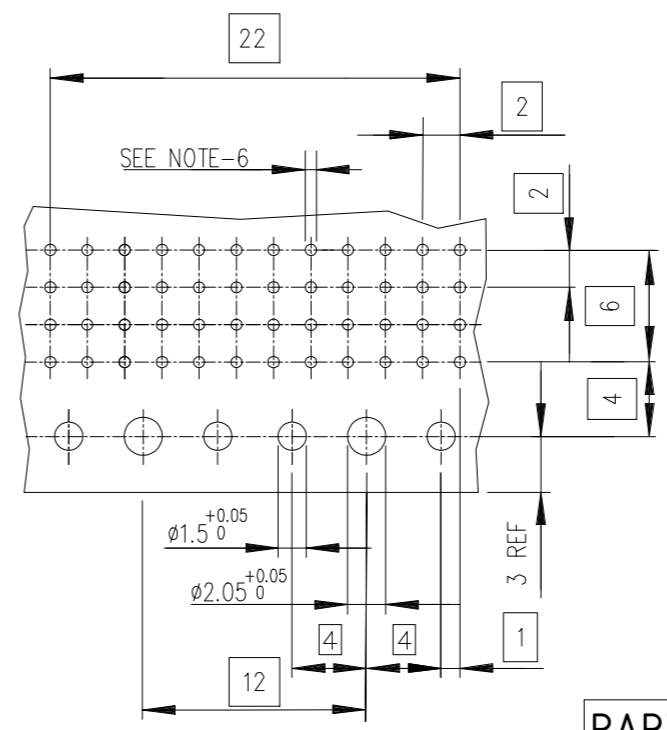


- NOTES:
1. MATERIAL : BODY : LCP UL94-V0  
: CONTACT : COPPER ALLOY.
  2. FOR PLATING PERFORMANCE REFER DRAWING # 10159409
  3. CONNECTORS WITH PCB 2.4mm ARE COMPATIBLE WITH WIDE AND NARROW BODIES.
  4. PLUG FOR CODING KEY FIXING.
  5. FLAT ROCK INSERTION TOOLING IN PCB, SEE DRW REF : C-8626-1003.
  6. METALIZED HOLE DEFINITION , SEE GS-12-447.
  7. IF SUFFIX "P" IS ADDED IN P/N PACKAGING IS IN TRAYS BUT CONNECTOR MARKING IS WITHOUT "P"  
EXAMPLE : HM1FXXXXXXXXXHXPLF, MARKED HM1FXXXXXXXXXHXLF
  8. THIS PRODUCT MEETS EUROPEAN UNION DIRECTIVES AND OTHER COUNTRY REGULATIONS AS DESCRIBED IN GS-47- 0004
  9. A△SYMBOL WILL BE NEXT TO ANY DIMENSION, VIEW, OR NOTE WHICH HAS BEEN MODIFIED WITH THE CURRENT DRAWING REVISION.



LAYOUT FOR P.C.B



PART NUMBER :HM1F42FDP000HXLF

X-PLATING CODE  
REF.DWG. 10159409

GENERAL CHARACTERISTICS AND ROHS INFORMATIONS:

See PRODUCT SPECIFICATION: GS-12-447

mat'l. code				surface ISO 1302		tolerance ISO 406 ISO 1101		projection		product family METRAL	
ltr				ecn no		dr		date		title	
G				L06-0095		LGO		2006-06-30		METRAL FEMALE 4 ROWS 48 CTS	
H				L06-0159		MLE		2006-10-16		RIGHT ANGLE PRESS-FIT / PRESS-IN PEG	
J				L07-0266		MLE		2007-11-06		scale -	
K				ELX-I-38656		MINI		2020-10-09		dwg no	
L				ELX-I-42905		NIRMAL		2021-11-12		sheet 1 of 1	
sheet index				revision sheet		L		1		size A3	
appd				SANOJ P K		2021-11-12		Amphenol FCi		C-8626-0065	
type				Product		Customer		Drawing			