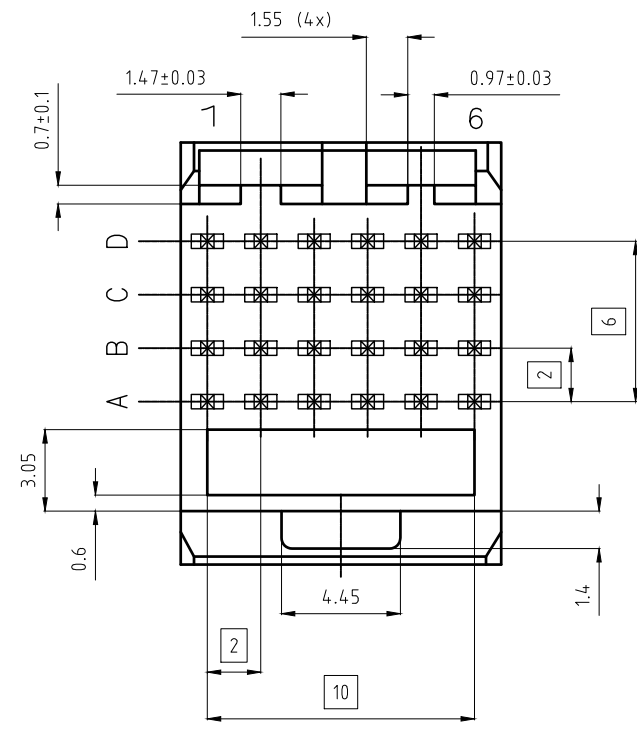
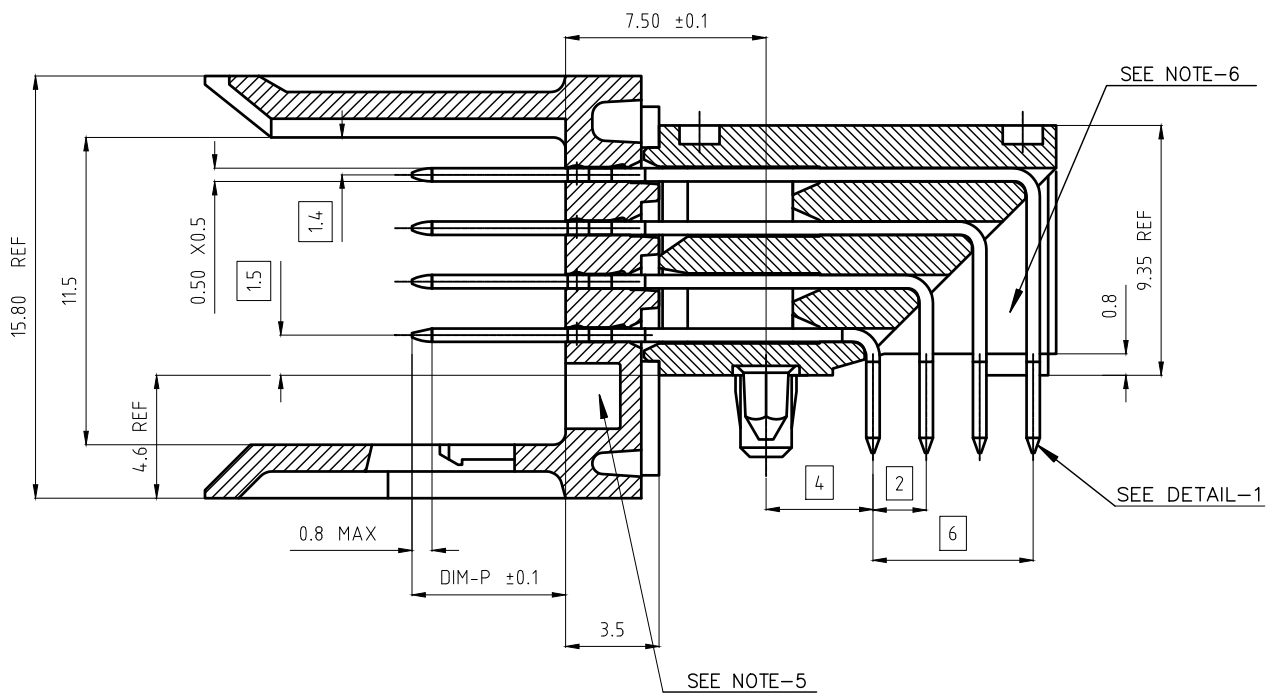
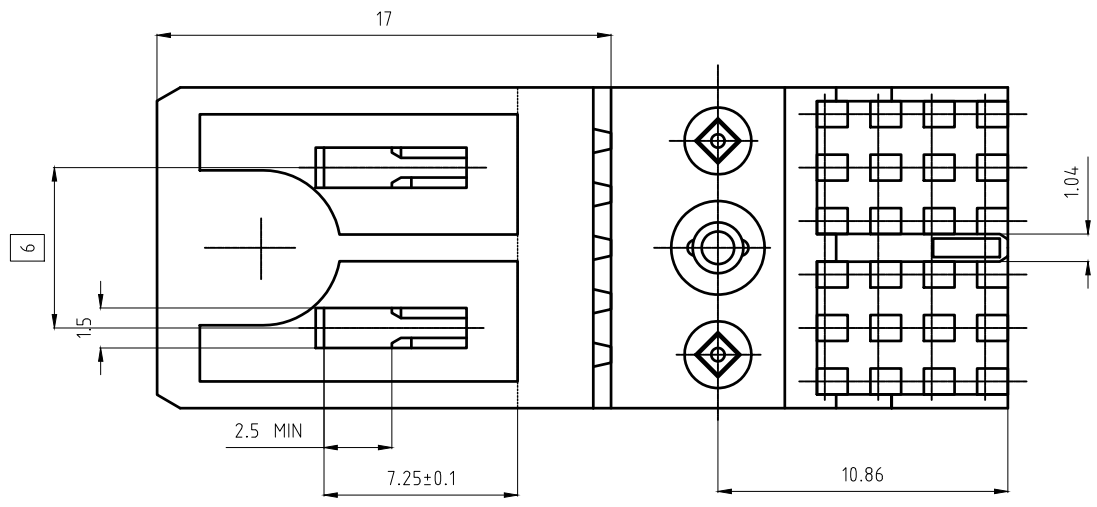


REFER NOTE-2

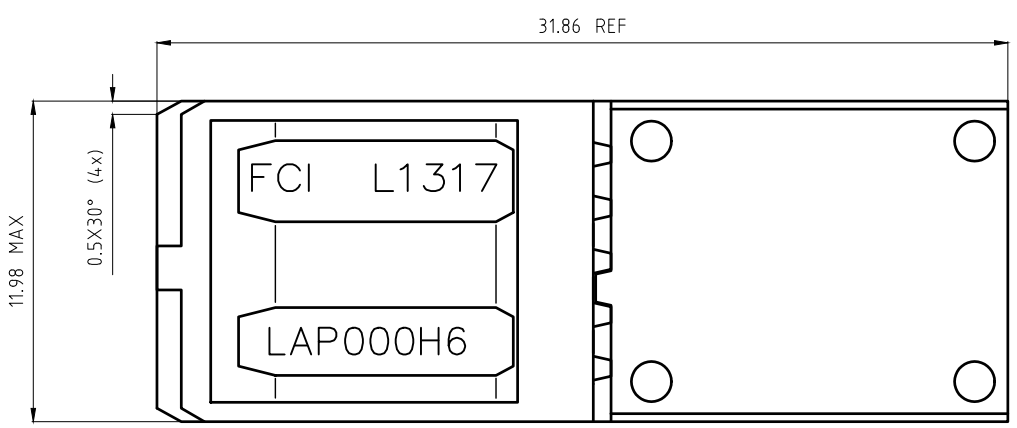
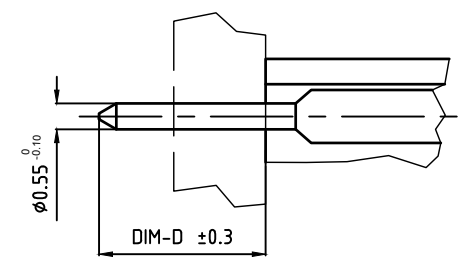
PART NUMBER :HM1L41XXP000HYPLF

NOTES:

1. MATERIAL : BODY : LCP UL94-V0
: CONTACT : COPPER ALLOY.
2. FOR PLATING PERFORMANCE REFER DRAWING # 10159409 Δ
3. NORMINATIVE REF = IEC-61076-4-104.
4. ONE CENTER PEG FOR HOLD DOWN FORCE.
5. CODING RECESS FOR 8MM EXTENDED KEYS.
6. THIS PRODUCT MEETS EUROPEAN UNION DIRECTIVES AND OTHER COUNTRY REGULATIONS AS DESCRIBED IN GS-47- 0004
7. THE HOUSING WILL WITHSTAND EXPOSURE TO 260° PEAK TEMPERATURE FOR 10 SECONDS IN A WAVE SOLDER APPLICATION
8. CENTRAL WALL WITH END REAR SUPPORT.
9. PACKAGING IN TRAY + COVER
IF SUFFIX "P" IS ADDED IN P/N PACKAGING IS IN TRAYS BUT CONNECTOR MARKING IS WITHOUT "P"
EXAMPLE: HM1xxxxxxxxxHYP , MARKED HM1xxxxxxxxxHY
10. Δ SYMBOL WILL BE NEXT TO ANY DIMENSION, VIEW, OR NOTE WHICH HAS BEEN MODIFIED WITH THE CURRENT DRAWING REVISION.



DETAIL-1: SOLDER TAIL



GENERAL CHARACTERISTICS AND ROHS INFORMATIONS:
SEE PRODUCT SPECIFICATION GS-12-446

OTHERS INFORMATIONS,SEE DRW C-8626-0154-2

mat'l. code		NOTE 1	surface 58	tolerance	projection	product family
ltr		ecn no	dr	date	ISO 1302	METRAL
K	LS06-0097	LGO	2006-07-12		tolerances unless otherwise specified	title
L	LS07-0184	MLE	2007-07-24	angles	ISO 406 ISO 1101	METRAL RA HDR WB CONV
M	ELX-I-38656	MINI	2020-10-15	linear	0.X±0.3	4x6 CTS-STB-PUSH PEG
				0°±2°	0.XX±0.13	dwg no
					0.XXX±0.050	sheet 1 of 2
				dr	CHAMPION	1994-04-06
				enr	ARUN	2020-10-15
				chr	ALEX BABU	2020-10-15
				appd	SANOJ	2020-10-15
sheet index	revision sheet	M	M			Amphenol FCI
	1	2				type Product Customer Drawing

PART NUMBER

PART NUMBER / CONTACT LOADING						SP N°	
DIM-P ±0.10				DIM-D ±0.3	P/N AND PERFORMANCE LEVEL		
ROW-A	ROW-B	ROW-C	ROW-D				
5.00	5.00	5.00	5.00	TABLE-2	HM1L41AxP000H PLF		
5.75	5.75	5.75	5.75	TABLE-2	HM1L41LxP000H PLF		
6.50	6.50	6.50	6.50	TABLE-2	HM1L41DxP000H PLF		
6.50	5.00	5.00	5.00	TABLE-2	HM1L41BxP000H PLF		
6.50	5.75	5.75	6.50	TABLE-2	HM1L41CxP000H PLF		
5.00	5.00	6.50	5.00	TABLE-2	HM1L41ZxP110H PLF		110
5.00	5.75	6.50	5.00	TABLE-2	HM1L41ZxP430H PLF		430
5.00	5.75	5.00	5.00	TABLE-2	HM1L41ZxP448H PLF		448
5.75	5.00	5.00	5.00	TABLE-2	HM1L41ZxP009H PLF		009
5.75	6.50	5.75	5.00	TABLE-2	HM1L41ZxP424H PLF		424
6.50	5.75	6.50	5.75	TABLE-2	HM1L41ZxP037H PLF	037	
6.50	5.75	5.00	5.75	TABLE-2	HM1L41ZxP102H PLF	102	
6.50	6.50	6.50	5.75	TABLE-2	HM1L41ZxP135H PLF	135	
6.50	5.00	5.00	5.00	2.90	HM1L41ZAP239H PLF	239	
6.50	8.00	6.50	5.75	2.90	HM1L41ZAP329H PLF	329	
6.50	5.75	5.75	5.75	TABLE-2	HM1L41ZxP369H PLF	369	

DIM-D=2.9 / replace 'x' by 'A' in the P/N

DIM-D=3.7 / replace 'x' by 'B' in the P/N

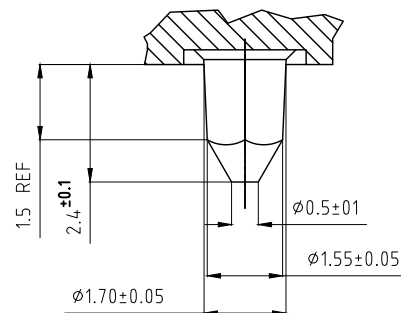
TABLE-2

REFER DRAWING # 10159409

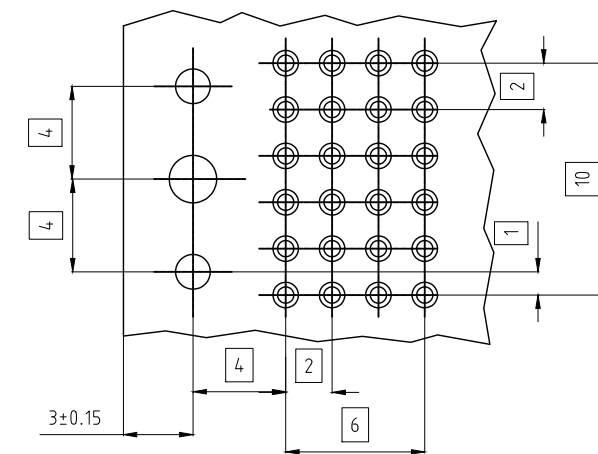
STANDARD MATING LENGTHS = 5.75 (AND 5.00-6.50)

STANDARD TERMINATION LENGTH = 2.90

DETAIL OF LOCATING PEGS (2x) SCALE 8/1

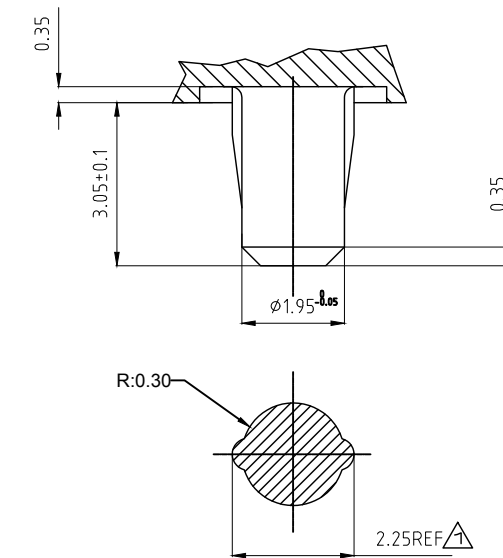


RECOMMENDED PCB LAYOUT



FOR PTH REFER-GS-12-445 (FOR PRESS FIT)
GS-12-446 (FOR STB)

DETAIL OF CENTRAL PEG SCALE 8/1



OTHERS INFORMATIONS, SEE DRW C-8626-0154-1

mat'l. code		NOTE 1		surface 58	tolerance	projection	product family
ltr		ecn no	dr	date	ISO 1302	ISO 406	ISO 1101
K	LS06-0097	LGO	2006-07-12		tolerances unless otherwise specified		METRAL
L	LS07-0184	MLE	2007-07-24		0.X±0.3	MM	title
M	ELX-I-38656	MINI	2020-10-15		0.XX±0.13		
					0.XXX±0.050	scale	1:1
					angles	linear	
					0°±2°		
					dr	CHAMPION	1994-04-06
					enr	ARUN	2020-10-15
					chr	ALEX BABU	2020-10-15
					appd	SANOJ	2020-10-15
sheet index	revision sheet	M	M				
		1	2				
						product family	
						METRAL	
						title	
						METRAL RA HDR WB CONV	
						4x6 CTS-STB-PUSH PEG	
						dwg no	
						sheet 2 of 2	
						size	
						A3	
						type	
						Product Customer Drawing	