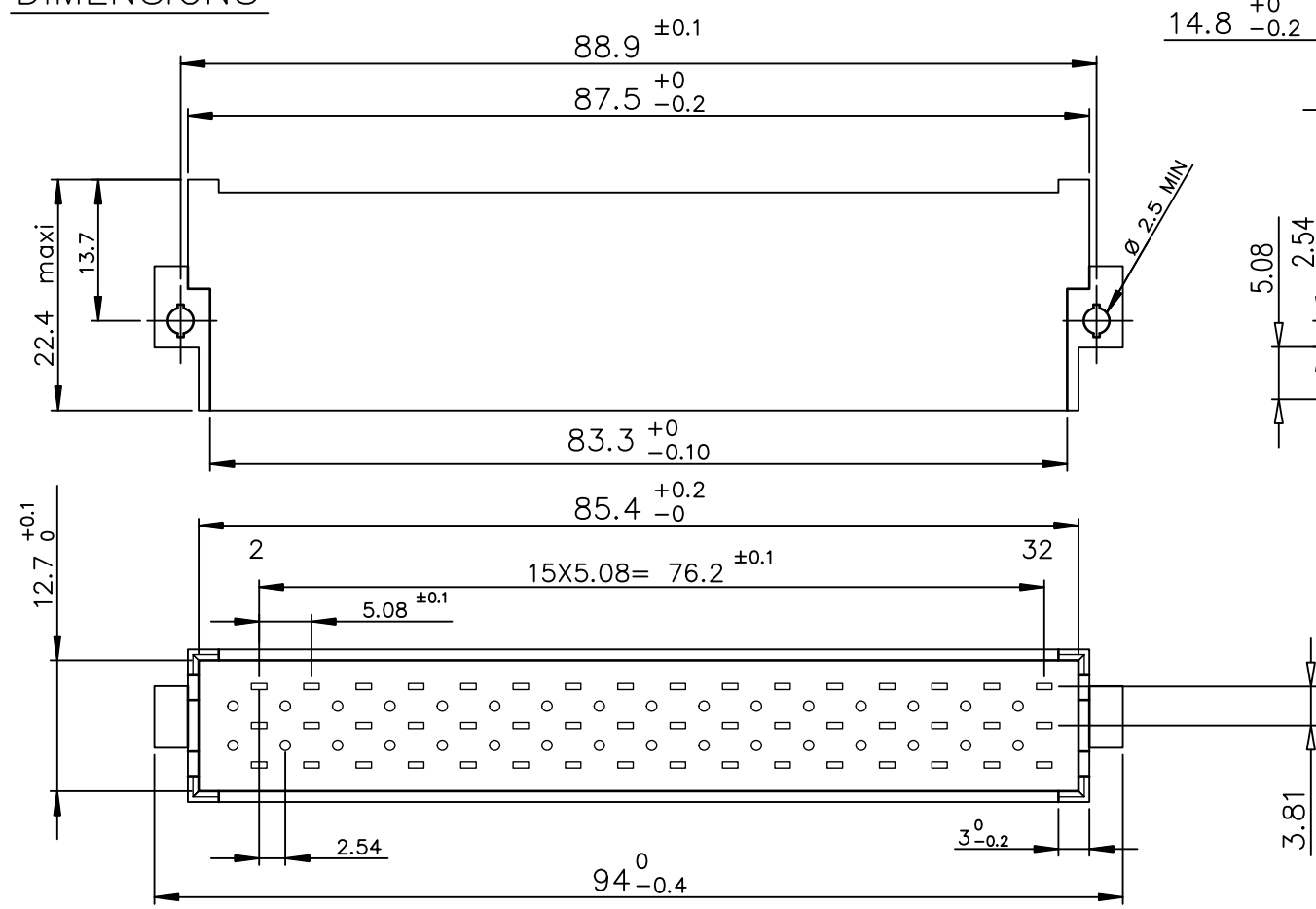
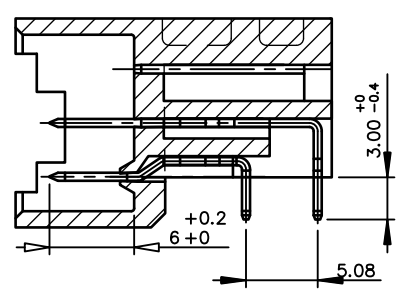


**DIMENSIONS**



**TERMINATION**



**ELECTRICAL DATA**

-Current at AMB.	5.5 A at 20° / 4 A at 70°
-Contact resistance	<15mΩ according to DIN 41640 Teil 4 test 2a
-Insulation resistance	>10 <sup>6</sup> MΩ according to DIN 41640 teil 7 test 3a
-TEST VOLTAGE	according to DIN 41640 teil 21
contact/contact	1550 V
contact/ground	2500 V

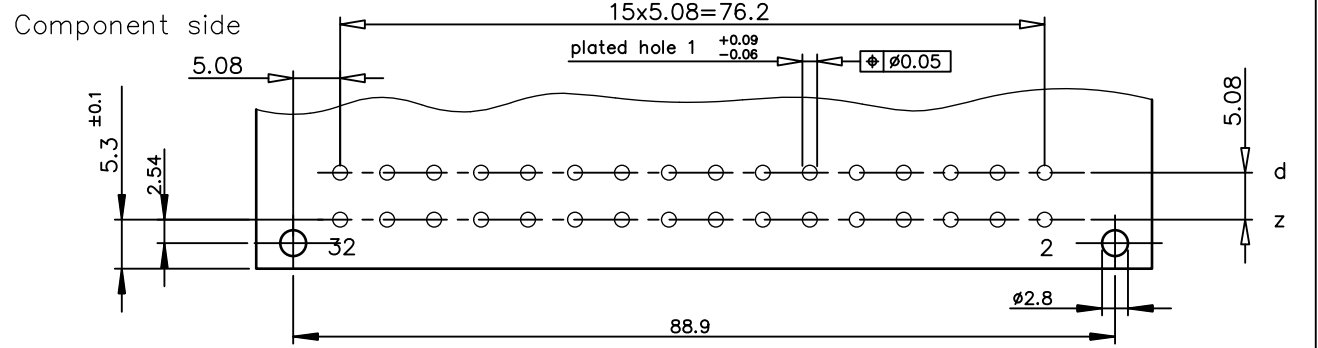
**MECHANICAL DATA**

-Insertion force	<75N
-Mechanical endurance	-class 1 500 matings unmatings according to DIN41640 teil 21
	-class 2 400 matings unmatings according to DIN41640 teil 21
-Material insulator	PBT MARKING LASER COMPATIBLE UL94V0
-Material contacts	Copper alloy
-Finishing contact surface	Gold over nickel Lead Free
-Finishing termination	Lead-free
-Schock	<30mΩ according to DIN 41640 Teil 14 test 6c
-Vibration	-class 1 10-2000Hz/20g according to DIN 41640 Teil 15
	-class 2 10-500Hz/5g according to DIN 41640 Teil 15

**ENVIRONMENTAL DATA**

-Climatic category	According to DIN 41612 - class 2
-Corrosion	According to DIN 41612 - class 2

**P.C. CARD DRILLING**



PART NUMBER	5159-009-32	4-130 LF
STYLE	F	
NUMBER OF CONTACTS	32	
TERMINATION	8 coding holes housing ----- 23	
	32 coding pits housing ----- 63	
PERFORMANCE CLASS	DIN 41612 class 2 ----- 5	
	DIN 41612 class 1 ----- 9	
CONTACT TERMINATION	Angled spills 5.08 X 5.08	
LEAD-FREE		

mat'l. code	surface ISO 1302 ✓	tolerance ISO 406 ISO 1101	projection	product family
ltr	ecn no	dr	date	DIN POWER 5159
B	LS05-0119	JOU	2005-12-13	title
C	LS06-0097	LGO	2006-07-27	
D	LS07-0046	LGO	2007-02-16	MALE CONNECTOR- FORM F- 2 ROW
E	LS07-0288	LGO	2007-11-19	32 ANGLED SPILLS
F	F10-0071	LSA	2010-07-19	dwg no
G	F10-0214	APA	2010-10-01	sheet 1 of 1
H	ELX-I-55210	BP	2025-03-31	scale 3:2
sheet index	revision	H		Amphenol FCI
	sheet	1		C01-5159-0080
				type Product Customer Drawing