

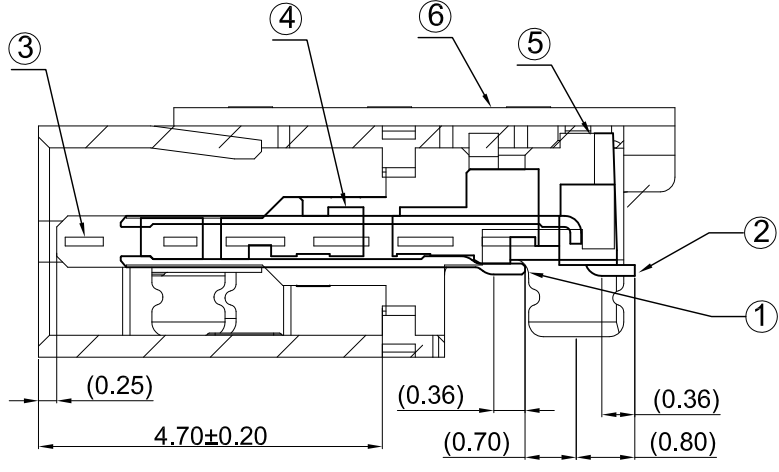
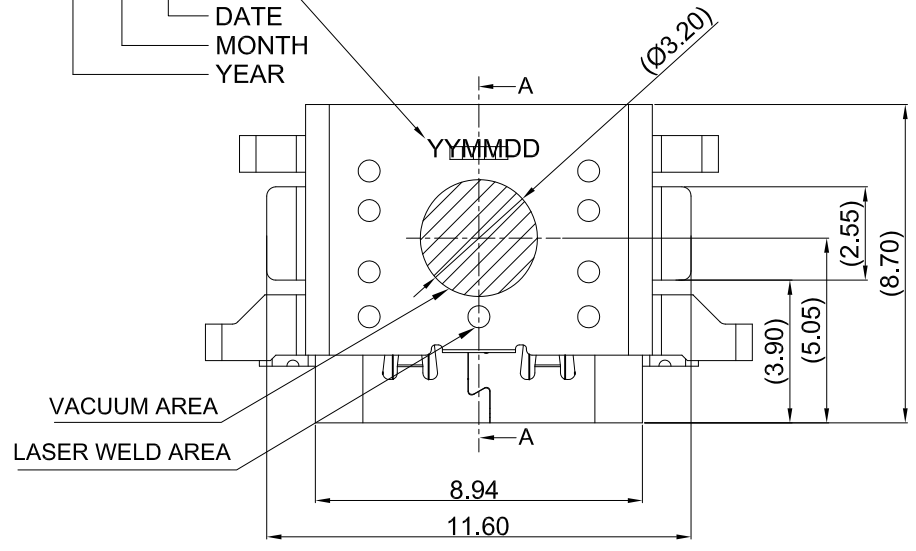
This document is the property of Amphenol Corporation and is delivered on the express condition that it is not to be disclosed, reproduced or used, in whole or in part, for manufacture or sale by anyone other than Amphenol Corporation without its prior consent, & that no right is granted to disclose or to use any information in this document.

CUSTOMER DRAWING

REVISIONS

SYM	ECN	DESCRIPTION	DATE	APPROVED
1	***	FIRST RELEASE	2020/08/13	Michael.ip
2	***	Update dimensioning	2020/08/18	Michael.ip
3	***	Update dimensioning	2020/08/24	Michael.ip
4	***	Update dimensioning	2020/08/26	Michael.ip
5	***	Update dimensioning	2020/09/03	Michael.ip
6	***	Update dimensioning	2020/09/14	Michael.ip

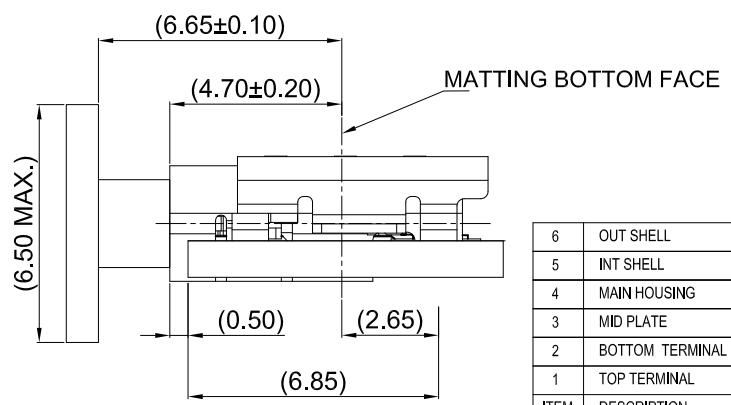
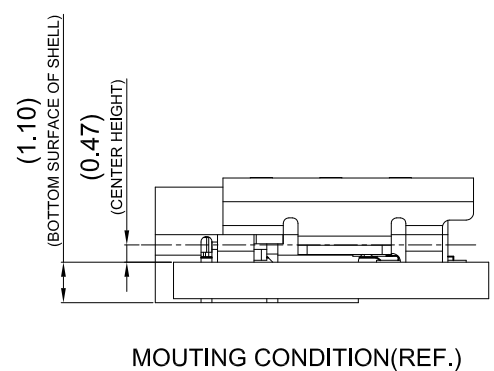
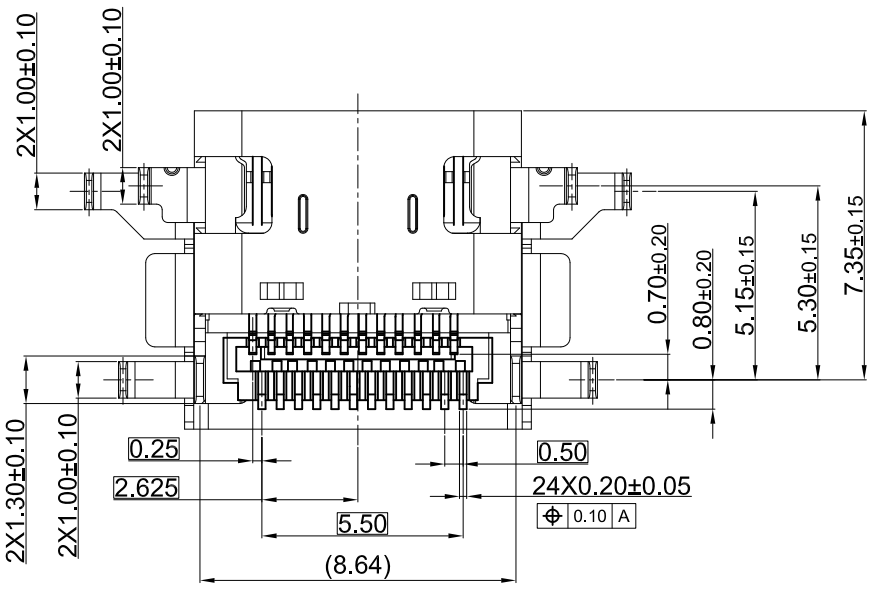
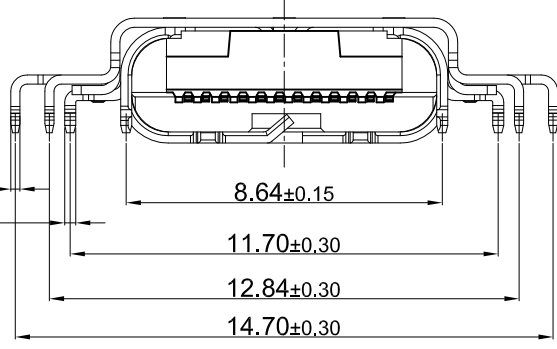
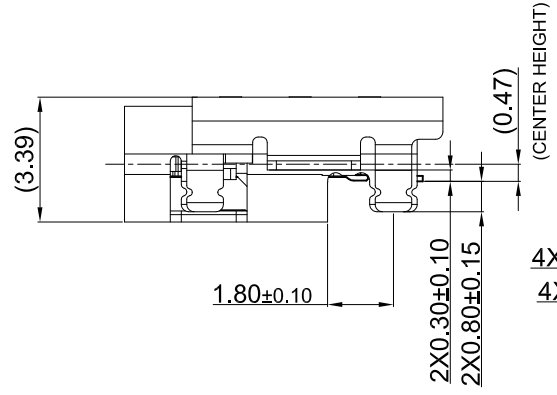
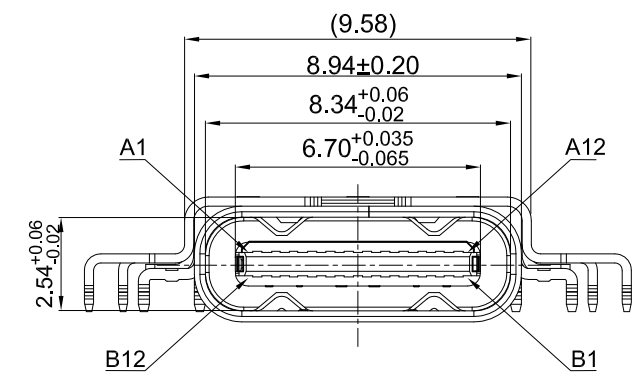
Date Code:
YY MM DD
DATE
MONTH
YEAR



SECTION A-A(剖视图A-A)
SCALE 2:1 (比例 2:1)

Pin定义:

A1	A2	A3	A4	A5	A6	A7	A8	A9	A10	A11	A12
GND	TX1+	TX1-	Vbus	CC1	D+	D-	SBU1	Vbus	RX2-	RX2+	GND
GND	RX1+	RX1-	Vbus	SBU2	D-	D+	CC2	Vbus	TX2-	TX2+	GND
B12	B11	B10	B9	B8	B7	B6	B5	B4	B3	B2	B1



ITEM	DESCRIPTION	Q'TY	MATERIAL	FINISH	REMARK
6	OUT SHELL	1	STAINLESS STEEL	NICKEL PLATING	
5	INT SHELL	1	STAINLESS STEEL	NICKEL PLATING	
4	MAIN HOUSING	1	HIGH TEMPERATURE	-	COLOR:BLACK
3	MID PLATE	1	STAINLESS STEEL	-	
2	BOTTOM TERMINAL	1	COPPER ALLOY	MATING SIDE:≥30μ" Au on 279μ" Ni underplate	
1	TOP TERMINAL	1	COPPER ALLOY	SOLDER TAIL:≥1μ" Au on 279μ" Ni underplate	

UNLESS OTHERWISE SPECIFIED TOLERANCES

U.S.	METRIC
.X	+/- 0.50
.XX	+/- 0.25
.XXX	+/- 0.10
FRACTIONS	+/-
ANGLES	+/- 3°

FOR MATERIALS AND FINISHES SEE NOTES

REMOVE SHARP EDGES

DIMENSIONS

U.S. INCHES

(METRIC) (MM)

APPROVAL DATE

DRAWN Fei.Wu 08/13/20

CHECKED Michael.Qin 08/13/20

CHECKED Michael.Qin

DRAWING FILE :

ANGLE OF PROJECTION

Amphenol
Amphenol East Asia Limited

TITLE Customer Drawing For
USB Type C 4.0 socket connector, R/A , Middle mount, Double SMT type, CH=0.47mm, No Water proof

SIZE DRAWING NO. REV.
A3 12402075 6

SCALE NONE SHEET 1 OF 2

