

ZONE	REV	SCR NUMBER	DESCRIPTION	BY	DATE	APPROVED
ALL	A	AASY-7X7Q28.VER01	NEW RELEASE	HCL-MH	11/06/2009	D.SMITH
	B	AASY-869J4Z.VER01	ADDED XTALIC PN'S	HCL-MG	06/16/2010	D.SMITH
SHT-1 C7 SHT-1 C4, A8 SHT-1 B5	C	DCOY-9X5GQ3.VER01	REMOVED N AND Z LETTER FROM POL GUIDE TABLE. UPDATED PIN STYLE TABLE. ADDED NOTE 11. ADDED 1.5mm SIGNAL WIPE.	HCL-NB	06/15/2015	D.COVEY
	D	DCOY-A83N3K.VER01	UPDATED PART MARKING NOTE	HCL-SD	03/29/2016	D.COVEY

9 5 1 - 2 X 0 E - X X X

XCede BACKPLANE MODULE MALE STANDARD LOAD

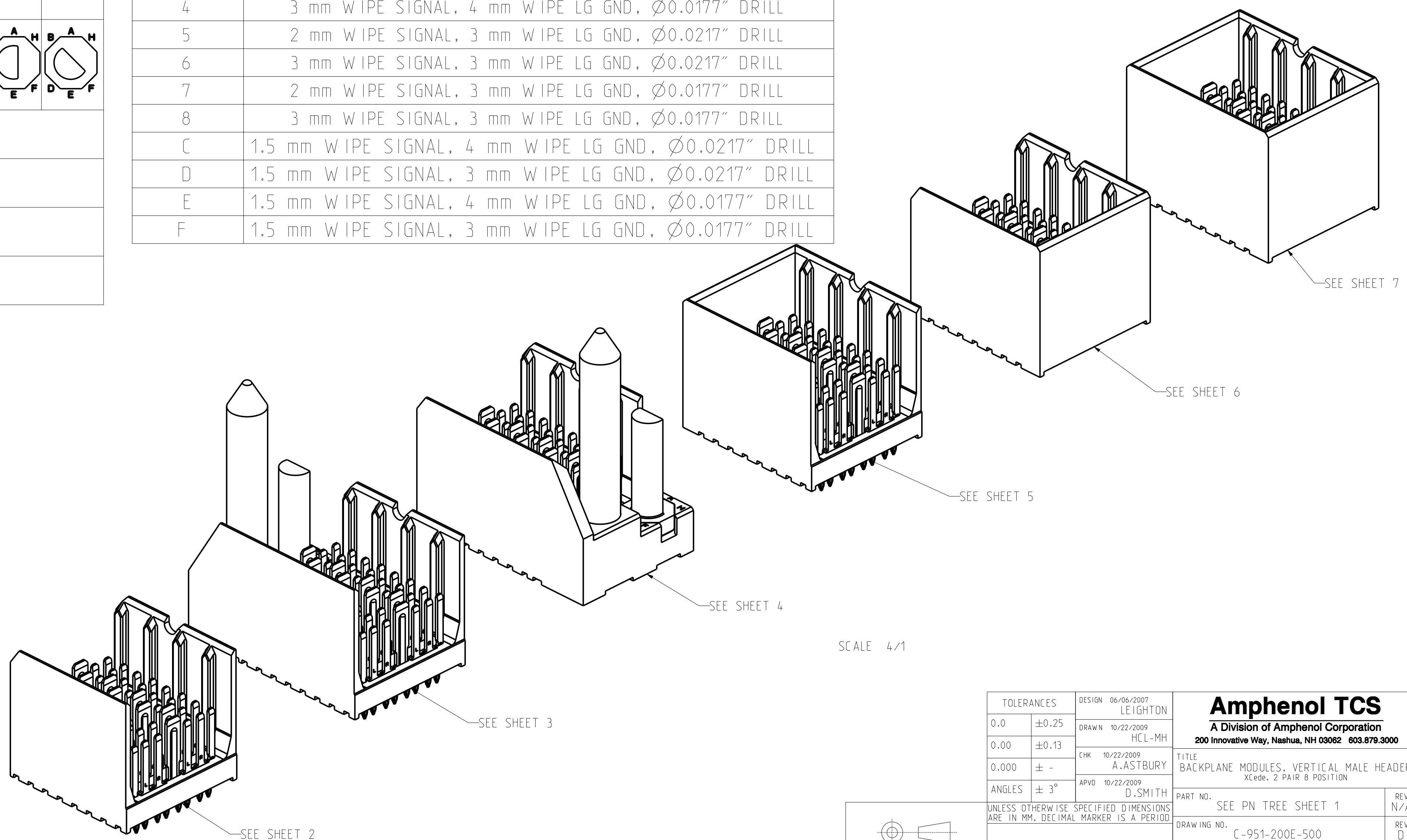
2 PAIR
8-POSITION

NUMBER	PIN STYLE, HEIGHT
0	GUIDE PIN MACHINED, 25.7mm / NONE
1	GUIDE PIN MACHINED, 25.7mm

PLATING	
LETTER	DESCRIPTION
B	Ni SULFAMATE, STANDARD GOLD, LEADED
C	Ni SULFAMATE, HIGH GOLD, LEADED
D	Ni SULFAMATE, STANDARD GOLD, LEAD-FREE
E	Ni SULFAMATE, HIGH GOLD, LEAD-FREE
F	NANO Ni, STANDARD GOLD, LEADED
G	NANO Ni, HIGH GOLD, LEADED
H	NANO Ni, STANDARD GOLD, LEAD-FREE
J	NANO Ni, HIGH GOLD, LEAD-FREE

	LETTER								
LEFT POLARIZING GUIDANCE (SEE SHEET 3)	J (NO KEY)	A	B	C	D	E	F	G	H
RIGHT POLARIZING GUIDANCE (SEE SHEET 4)	Y (NO KEY)	P	Q	R	S	T	U	V	W
OPEN (SEE SHEET 2)	O (ZERO)								
LEFT WALL (SEE SHEET 5)	L								
RIGHT WALL (SEE SHEET 6)	M								
TWO WALL (SEE SHEET 7)	1								

NUMBER	SIGNAL & LG. GROUND WIPE LENGTH, COMPLIANT PIN SIZE
1	2 mm WIPE SIGNAL, 4 mm WIPE LG GND, Ø0.0217" DRILL
2	3 mm WIPE SIGNAL, 4 mm WIPE LG GND, Ø0.0217" DRILL
3	2 mm WIPE SIGNAL, 4 mm WIPE LG GND, Ø0.0177" DRILL
4	3 mm WIPE SIGNAL, 4 mm WIPE LG GND, Ø0.0177" DRILL
5	2 mm WIPE SIGNAL, 3 mm WIPE LG GND, Ø0.0217" DRILL
6	3 mm WIPE SIGNAL, 3 mm WIPE LG GND, Ø0.0217" DRILL
7	2 mm WIPE SIGNAL, 3 mm WIPE LG GND, Ø0.0177" DRILL
8	3 mm WIPE SIGNAL, 3 mm WIPE LG GND, Ø0.0177" DRILL
C	1.5 mm WIPE SIGNAL, 4 mm WIPE LG GND, Ø0.0217" DRILL
D	1.5 mm WIPE SIGNAL, 3 mm WIPE LG GND, Ø0.0217" DRILL
E	1.5 mm WIPE SIGNAL, 4 mm WIPE LG GND, Ø0.0177" DRILL
F	1.5 mm WIPE SIGNAL, 3 mm WIPE LG GND, Ø0.0177" DRILL

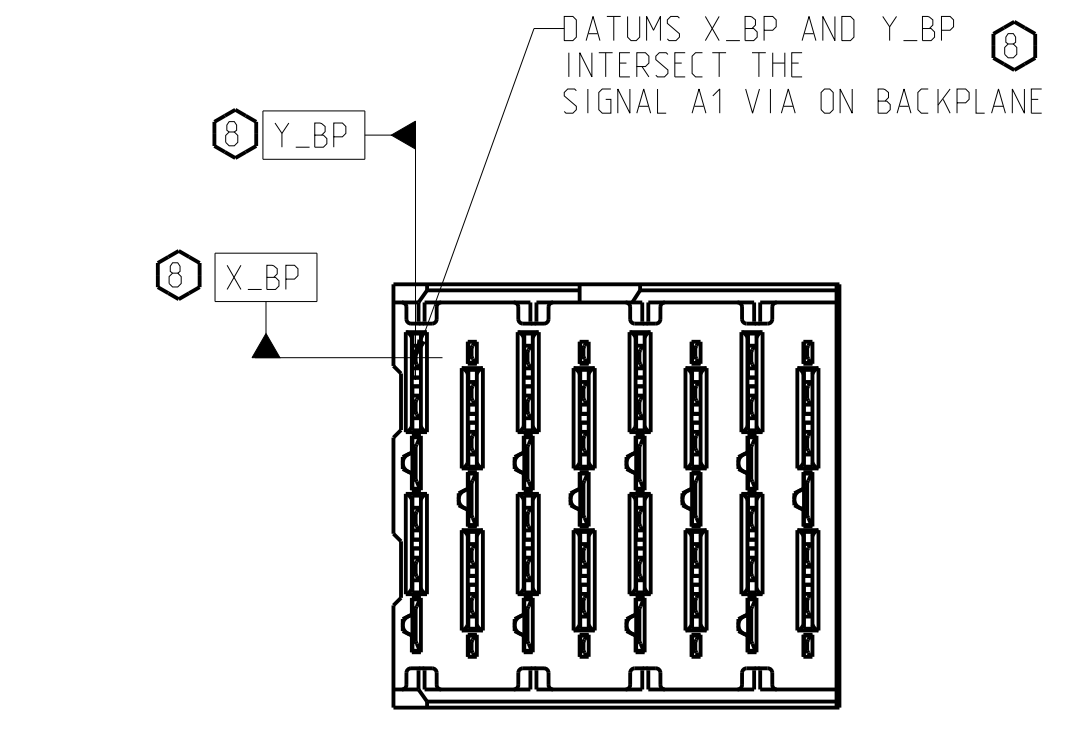


- NOTES:
- REFER TO TB-2150 FOR XCede PRODUCT SPECIFICATIONS.
 - NOTCH DESIGNATES "ROW A" SIDE OF SHROUD. NOTCH FEATURE ON OPPOSITE SIDE FROM PART MARKING.
 - SEE TB-2325 FOR PART MARKING REQUIREMENTS.
 - PLATING THICKNESS OF SIGNAL CONTACT AND GROUND CONTACT IS DETERMINED BY PLATING CODE, SEE PART NUMBER TREE SHEET 1.
 - REPAIR PROCEDURE FOR MODULE, SEE TB-2210.
 - SEE TB-2149 FOR ROUTING GUIDELINES & PTH REQ'S.
 - SEE DOC C190-1001-000 FOR TOOLING KEEPOUT ZONES.
 - BACKPLANE DATUM REFERENCE.
 - OPTIONAL HOLE/MOUNTING SCREW LOCATION FOR GROUNDED PIN OR ADDITIONAL GUIDE PIN SUPPORT. REFER TO TB-2211 FOR PROPER GUIDE PIN SELECTION AND DRAWING C942-2010-000 FOR OPTIONAL HOLE DETAILS. ONLY APPLIES FOR MACHINED GUIDE PIN APPLICATIONS.
 - DIMENSIONS APPLY FOR BOTH COMPLIANT PIN SIZES.
 - GUIDE PIN OPTION "1" ORIGINALLY CALLED FOR A ROLLED GUIDE PIN, WHICH HAS BEEN REPLACED BY A MACHINED ONE ONLY LEGACY 951 SERIES MODULES WILL USE THIS OPTION.

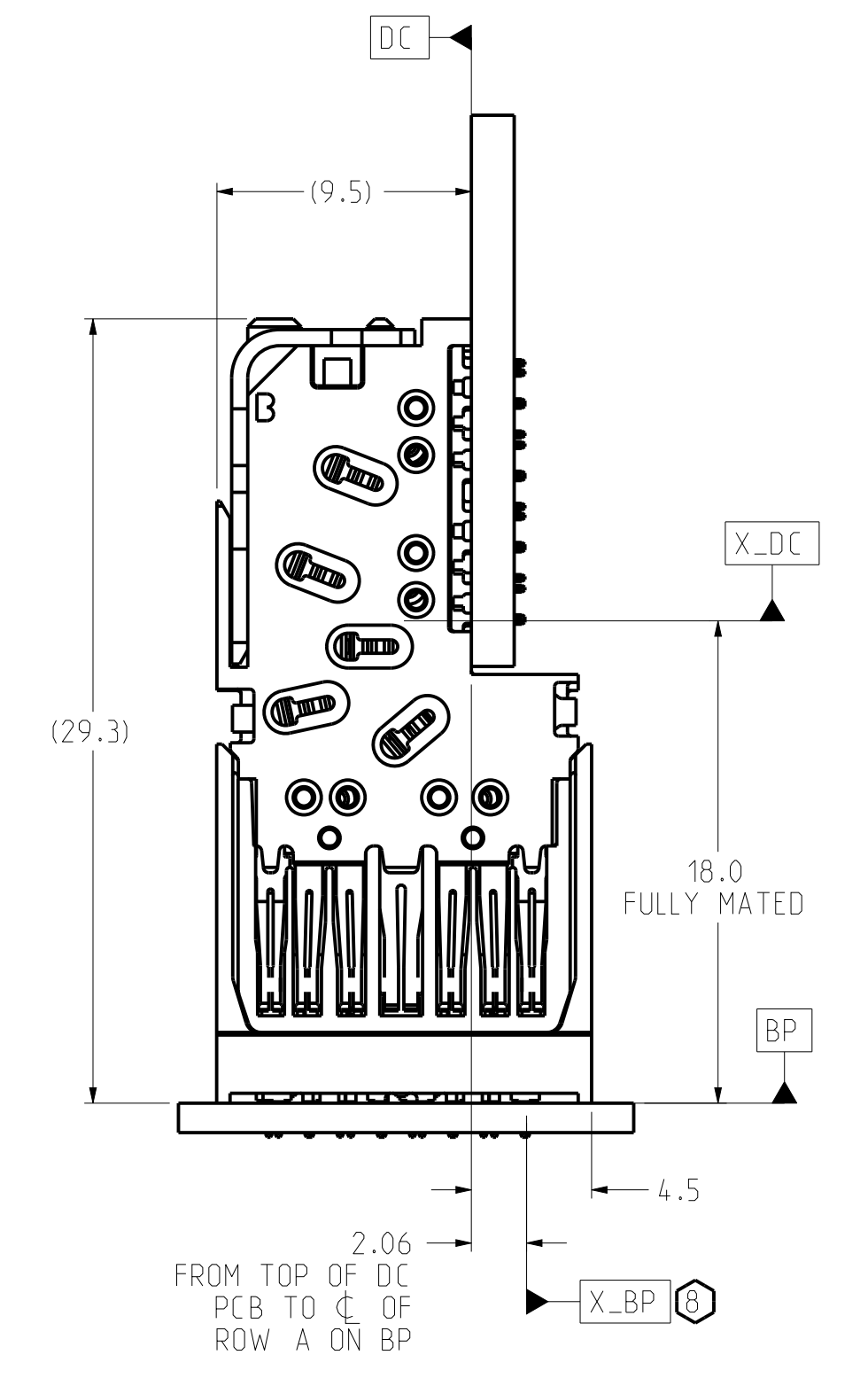
SCALE 4/1

TOLERANCES	DESIGN 06/06/2007 LEIGHTON	Amphenol TCS A Division of Amphenol Corporation 200 Innovative Way, Nashua, NH 03082 603.879.3000	TITLE	BACKPLANE MODULES, VERTICAL MALE HEADER XCede, 2 PAIR B POSITION
0.0 ±0.25	DRAWN 10/22/2009 HCL-MH		PART NO.	SEE PN TREE SHEET 1
0.00 ±0.13	CHK 10/22/2009 A.ASTBURY		DRAWING NO.	C-951-200E-500
0.000 ± -	APVD 10/22/2009 D.SMITH		ASSEM: C951-2-BP2-BW/F DRAWING: C951-200E-500	REV N/A REV D 1.4 B.5
ANGLES ± 3°	UNLESS OTHERWISE SPECIFIED DIMENSIONS ARE IN MM. DECIMAL MARKER IS A PERIOD.		SIZE D	SCALE 4/1
 INTERPRET PER ASME Y14.5M CODE IDENT 31413		CUSTOMER USE DRAWING		SHEET 1 OF 8

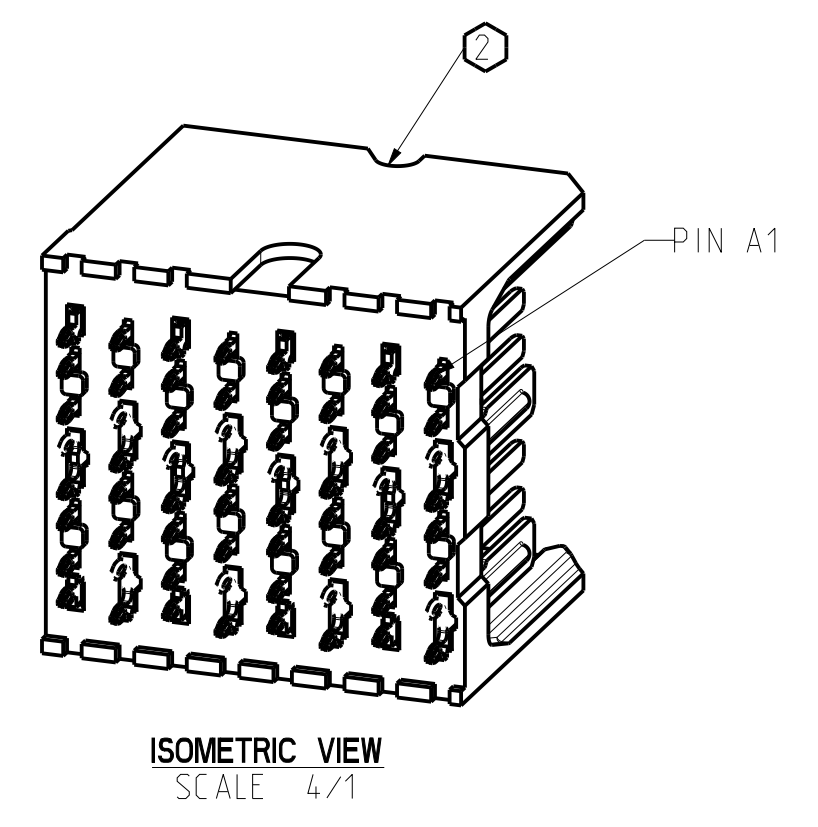
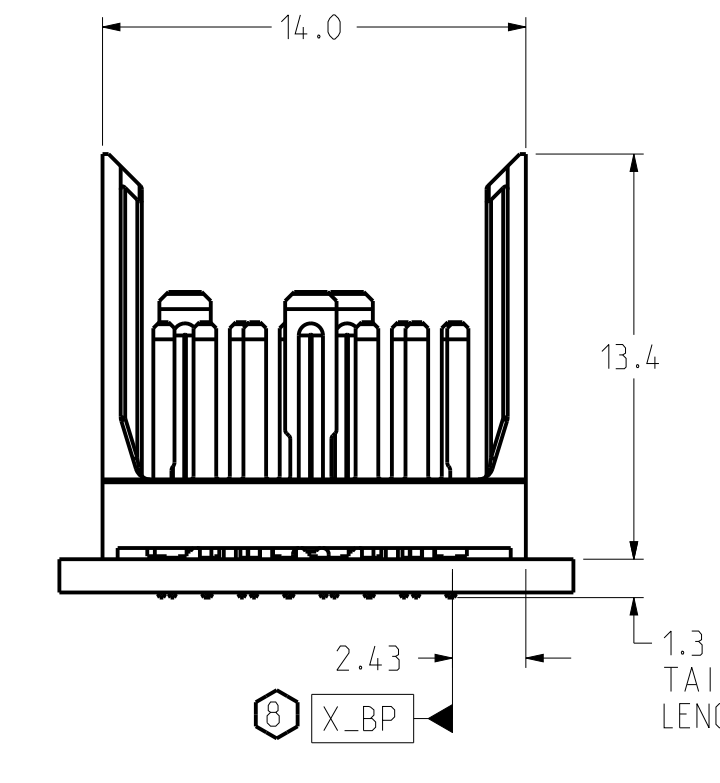
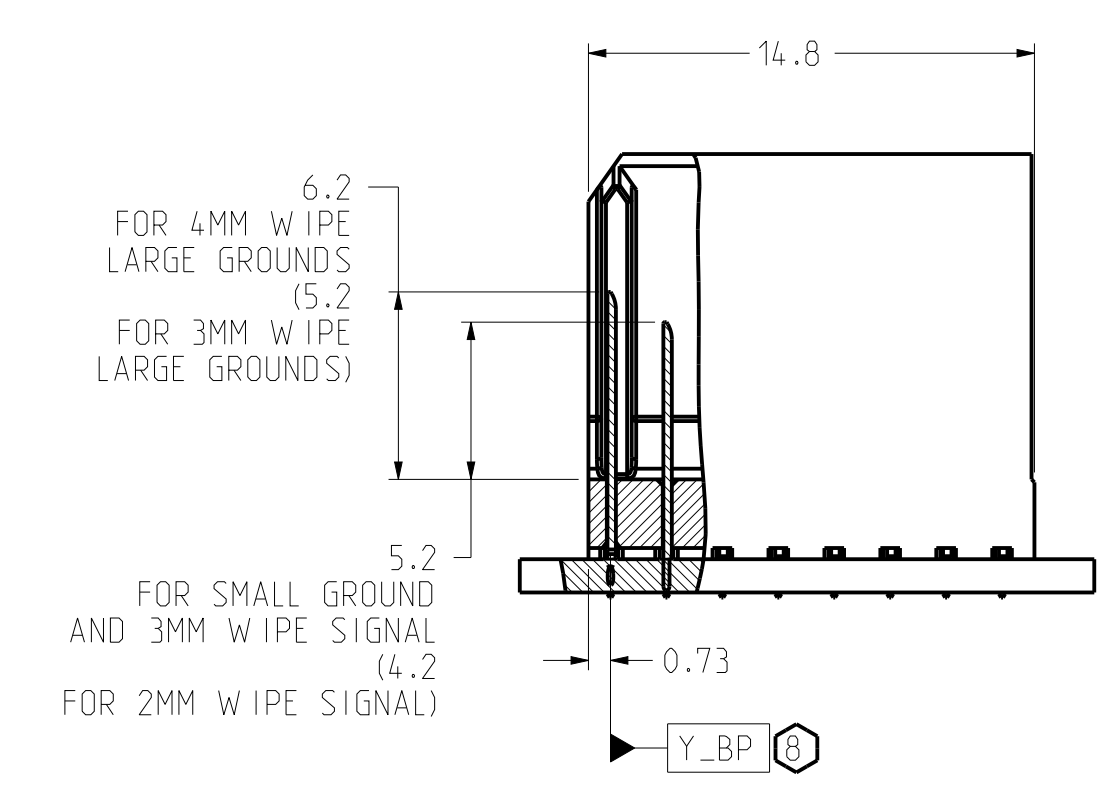
DRW NO.	C-951-200E-500	SH	2	REV	D	
ZONE	REV	SCR NUMBER	DESCRIPTION	BY	DATE	APPROVED
			SEE SHEET 1			



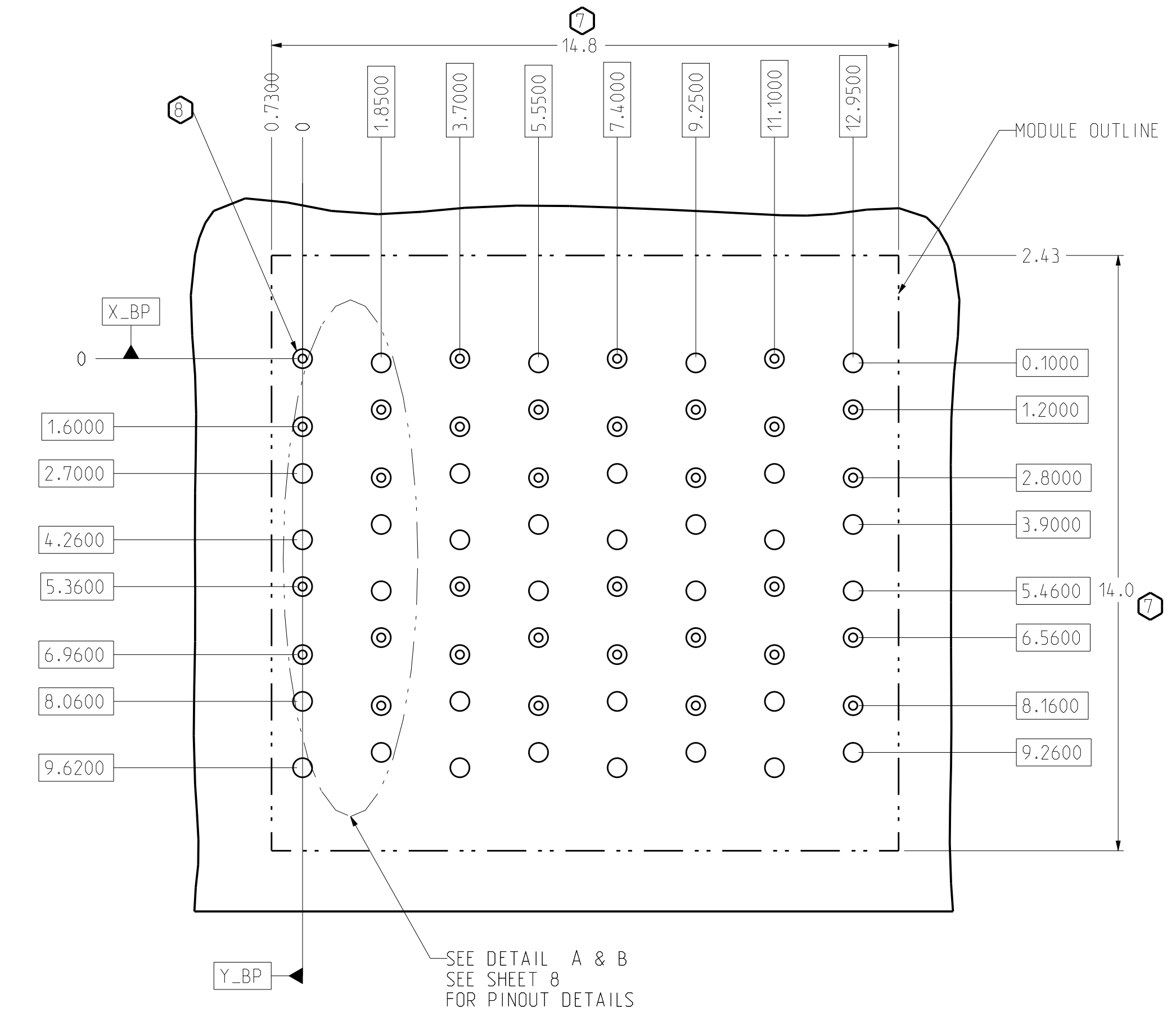
OPEN BACKPLANE MODULE DIMENSION



CONNECTOR REFERENCE
SCALE 4/1



ISOMETRIC VIEW
SCALE 4/1



BP HOLE PATTERN
COMPONENT SIDE
SCALE 10/1

OPEN BACKPLANE FOOTPRINT

TOLERANCES	DESIGN 06/06/2007 LEIGHTON
0.0 ±0.25	DRAWN 10/22/2009 HCL-MH
0.00 ±0.13	CHK 10/22/2009 A.ASTBURY
0.000 ± -	APVD 10/22/2009 D.SMITH
ANGLES ± 3°	

Amphenol TCS
A Division of Amphenol Corporation
200 Innovative Way, Nashua, NH 03082 603.879.3000

TITLE
BACKPLANE MODULES, VERTICAL MALE HEADER
XCede, 2 PAIR B POSITION

PART NO. SEE PN TREE SHEET 1
REV N/A

DRAWING NO. C-951-200E-500
REV D

ASSEM: C951-2-BP2-BW-F 1.4
DRAWING: C951-200E-500 B.5

INTERPRET PER ASME Y14.5M
CODE IDENT 31413

**CUSTOMER USE
DRAWING**

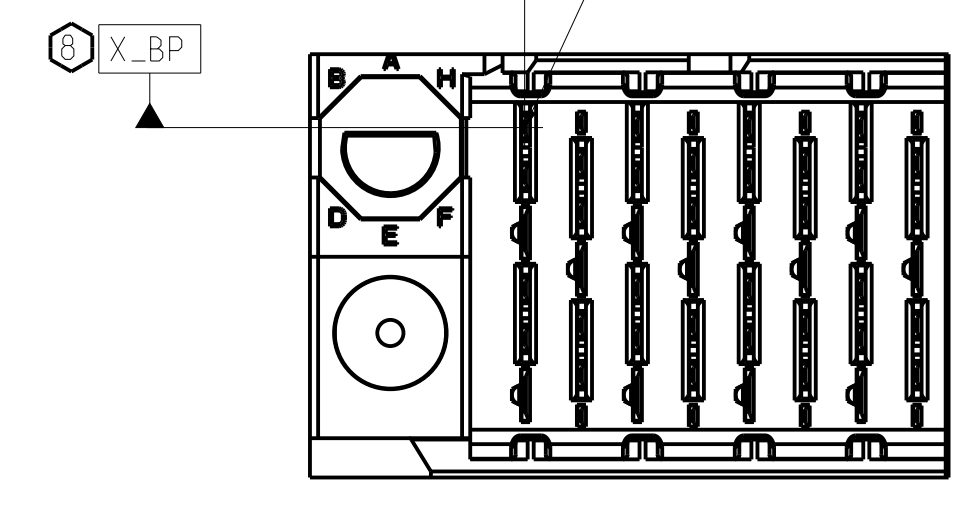
SIZE D SCALE 5/1 SHEET 2 OF 8

DRW NO. C-951-200E-500

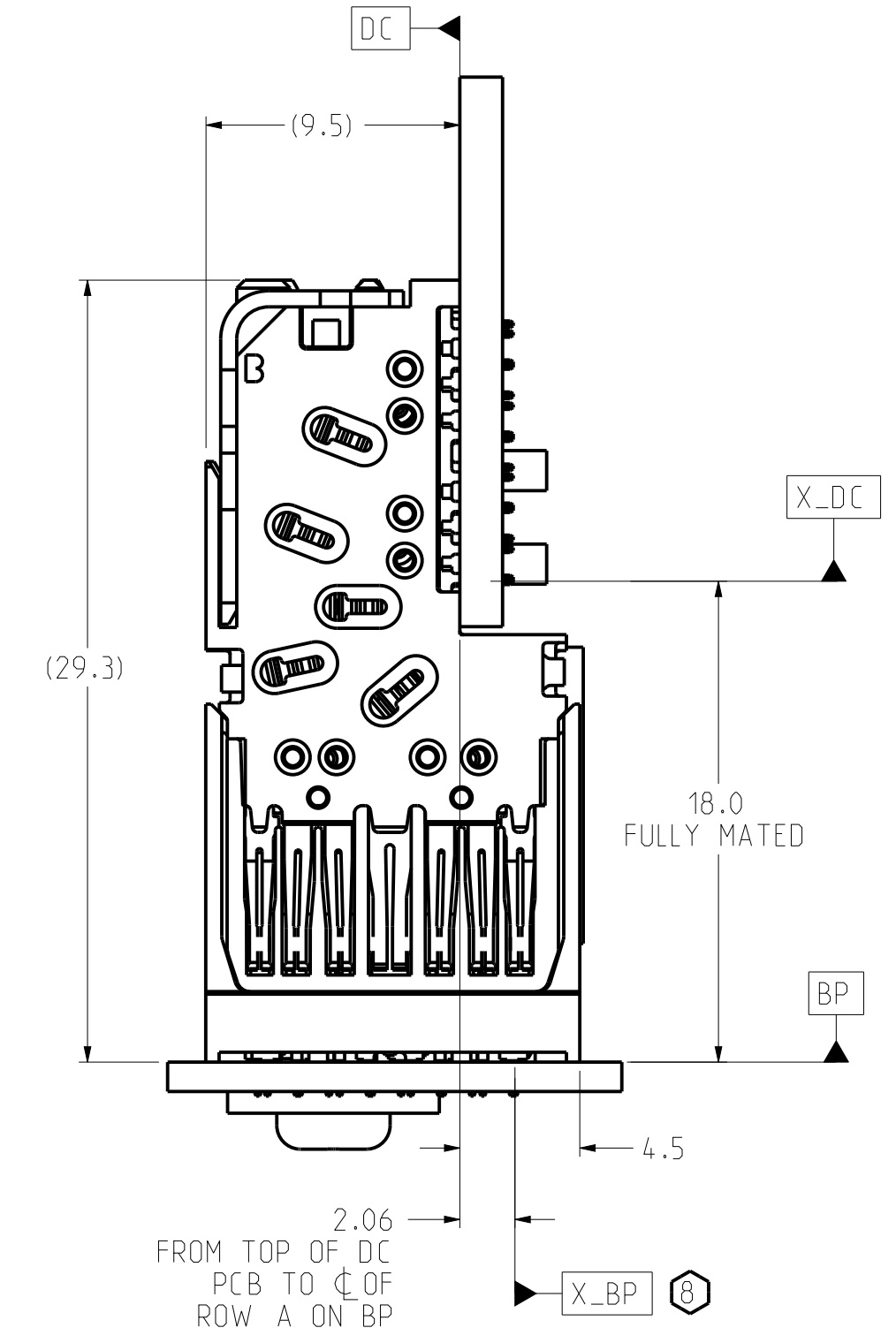
SH 2 REV D

ZONE	REV	SCR NUMBER	DESCRIPTION	BY	DATE	APPROVED
			SEE SHEET 1			

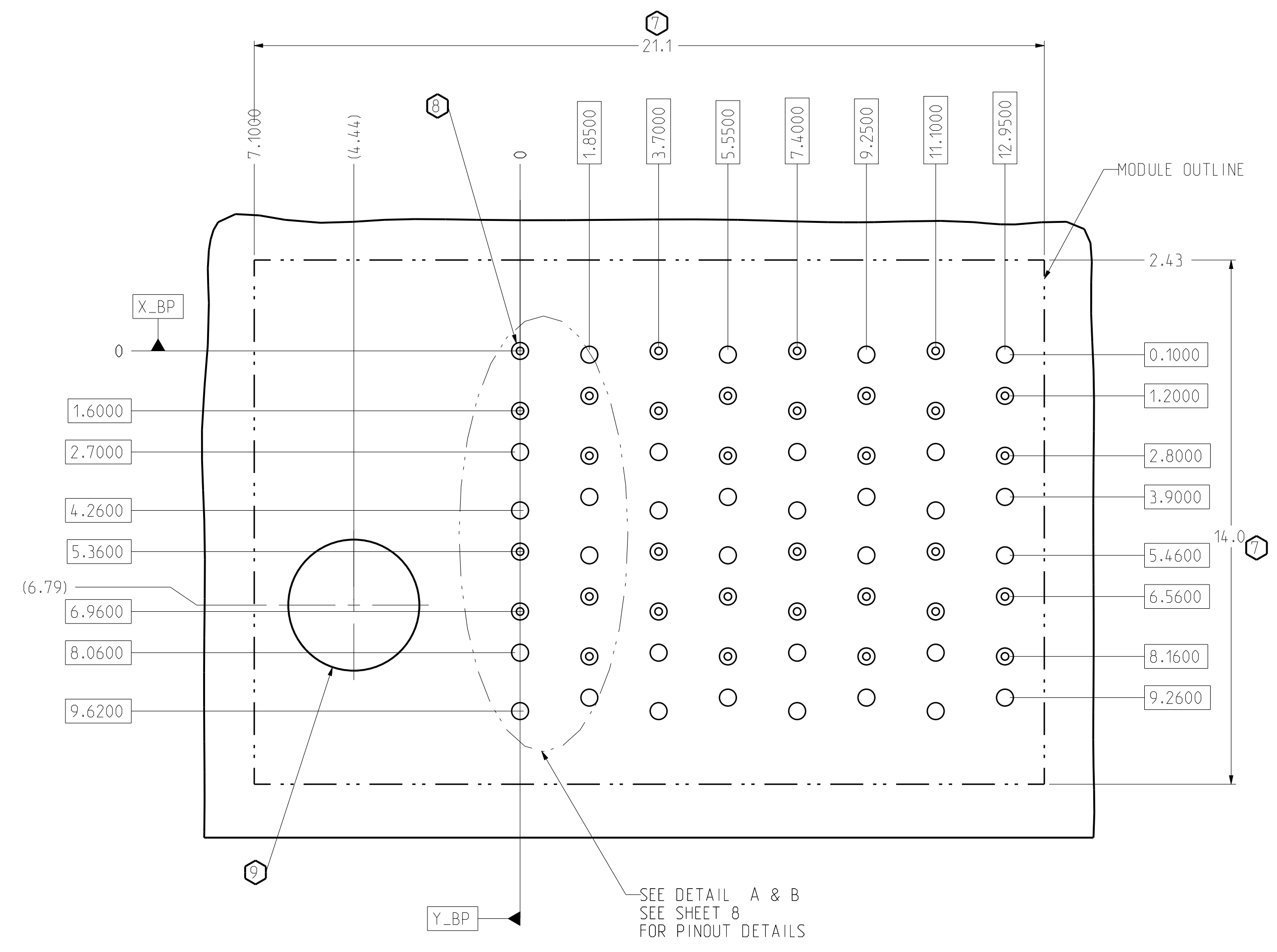
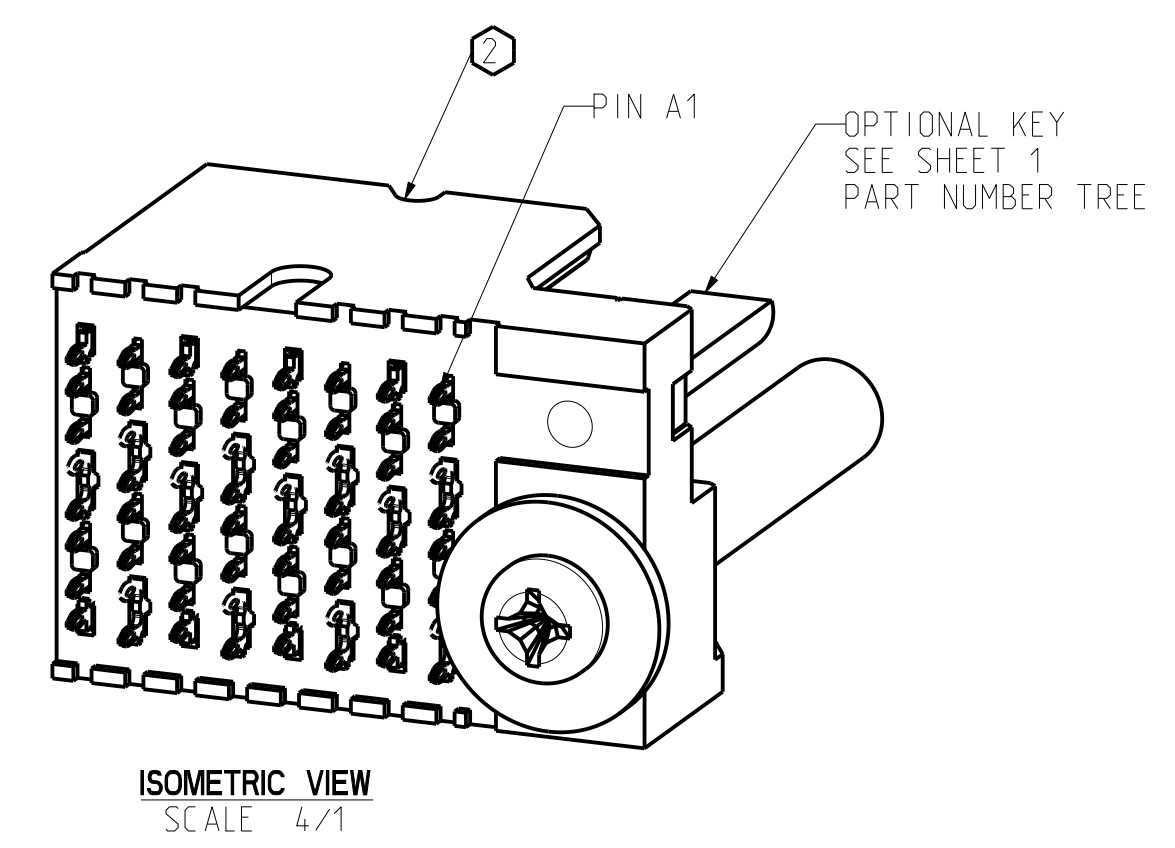
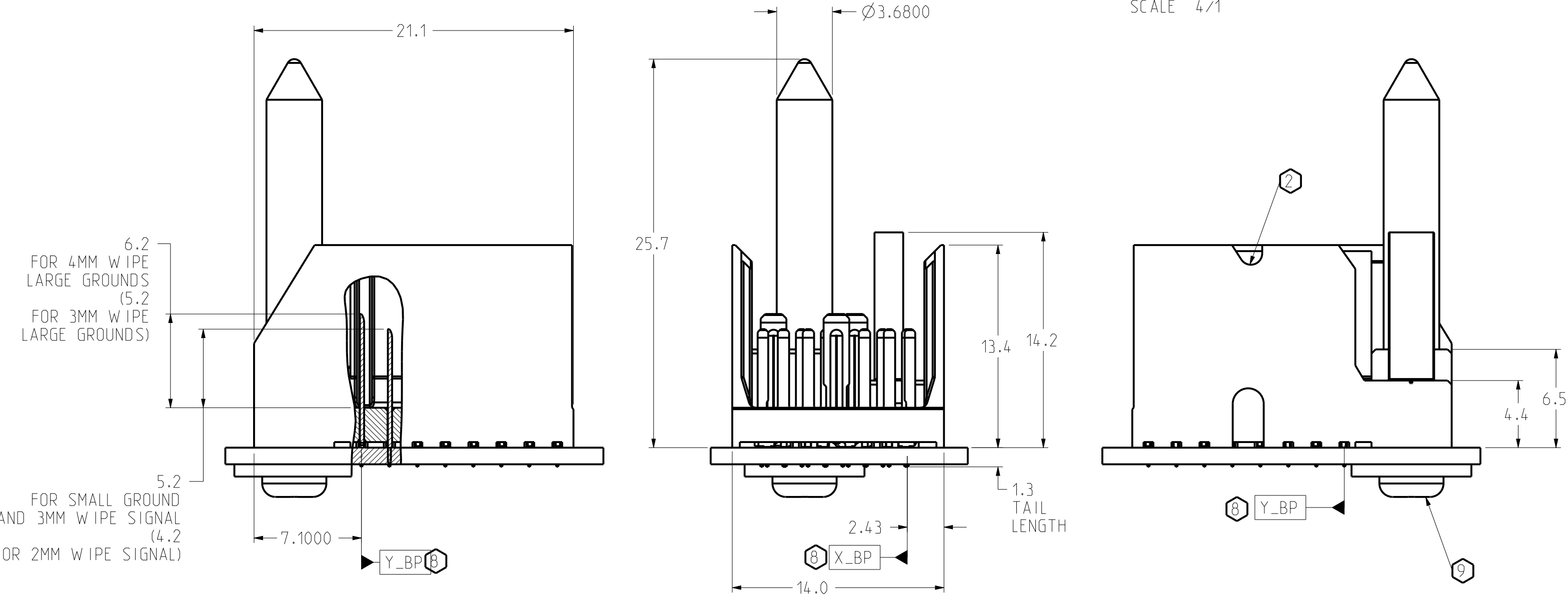
DATUMS X_BP AND Y_BP INTERSECT THE SIGNAL A1 VIA ON BACKPLANE



LEFT POLARIZING/GUIDE BACKPLANE MODULE DIMENSION



CONNECTOR REFERENCE SCALE 4/1



BP HOLE PATTERN COMPONENT SIDE SCALE 10/1

LEFT POLARIZING/GUIDE BACKPLANE FOOTPRINT

TOLERANCES	DESIGN	DATE	DESIGNER	Amphenol TCS A Division of Amphenol Corporation 200 Innovative Way, Nashua, NH 03062 603.879.3000	TITLE		
0.0 ±0.25	LEIGHTON	06/06/2007			BACKPLANE MODULES, VERTICAL MALE HEADER		
0.00 ±0.13	HCL-MH	10/22/2009			Xcde: 2 PAIR B POSITION		
0.000 ± -	A.ASTBURY	10/22/2009					
ANGLES ± 3°	D.SMITH	10/22/2009		PART NO.	SEE PN TREE SHEET 1		
UNLESS OTHERWISE SPECIFIED DIMENSIONS ARE IN MM. DECIMAL MARKER IS A PERIOD					REV	N/A	
DRAWING NO.					C-951-200E-500	REV	D
ASSEMBLY					C-951-2-BP2-BW-F	1.4	
DRAWING					C-951-200E-500	B.5	
SIZE	D	SCALE	4/1	SHEET	3 OF 8		

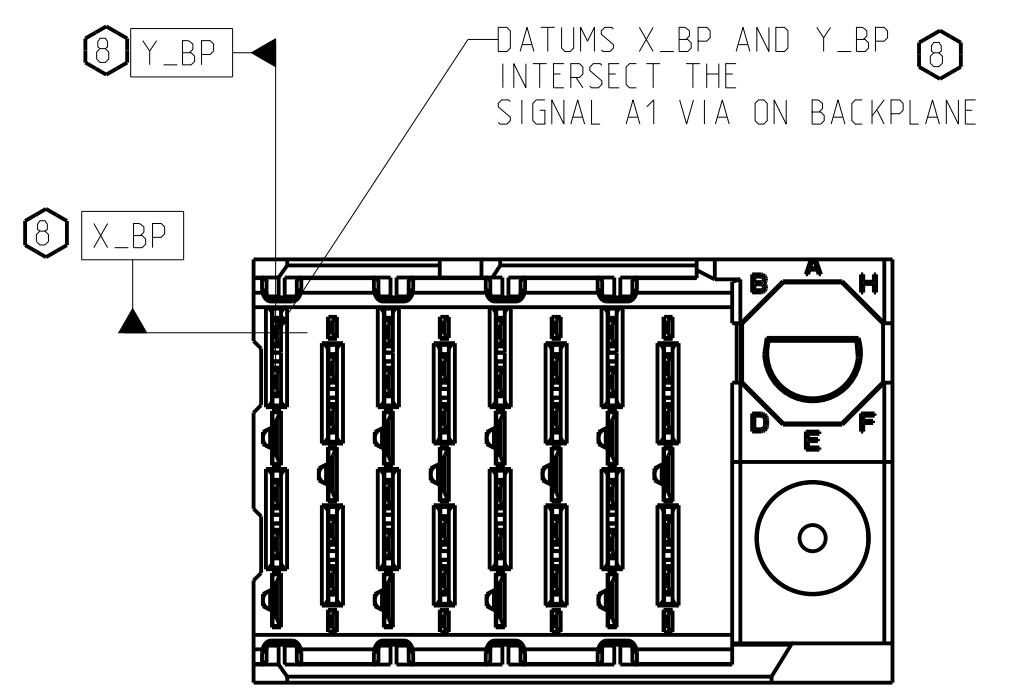
INTERPRET PER ASME Y14.5M
CODE IDENT 31413

CUSTOMER USE DRAWING

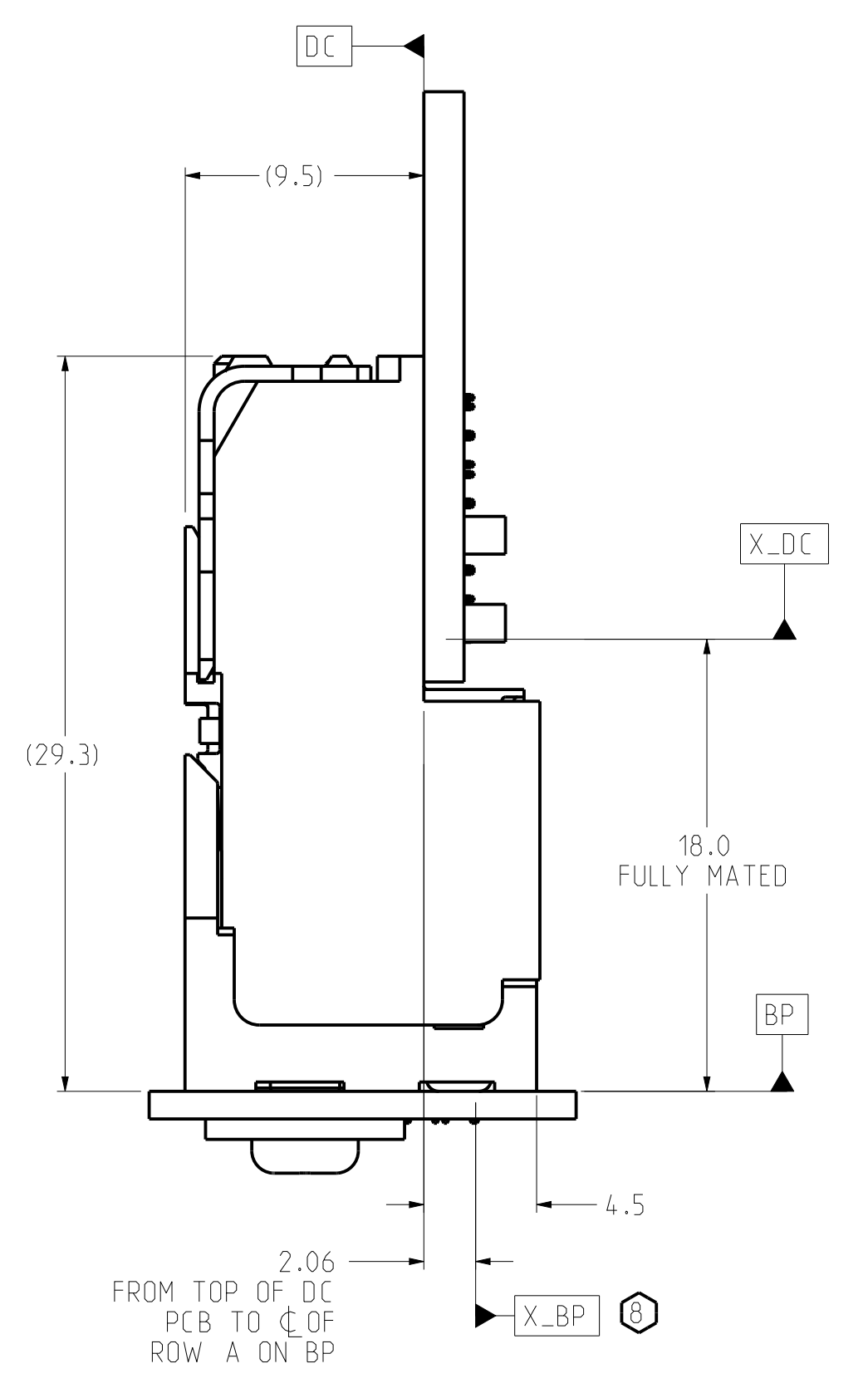
DRW NO. C-951-200E-500

SH 3 REV D

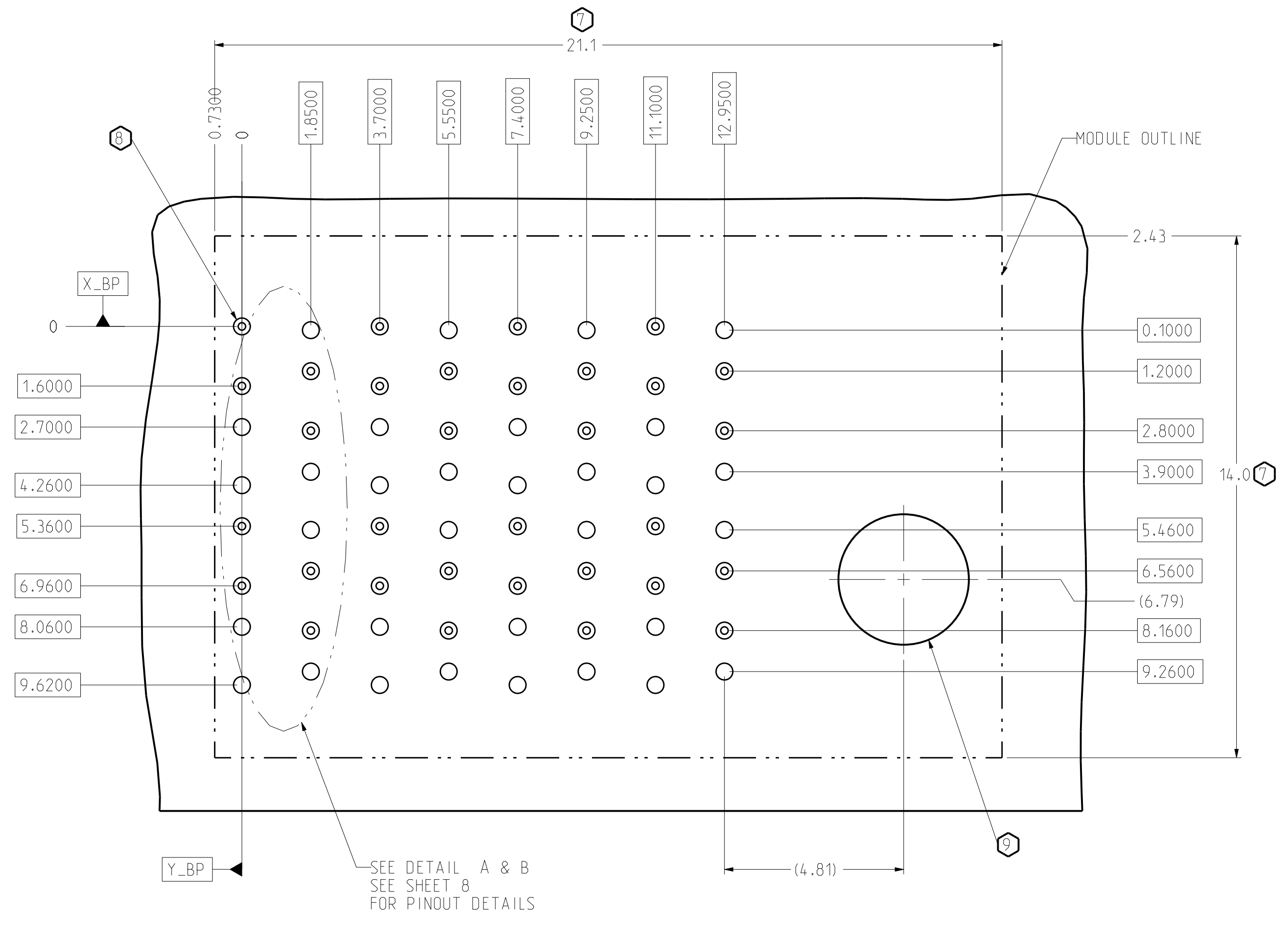
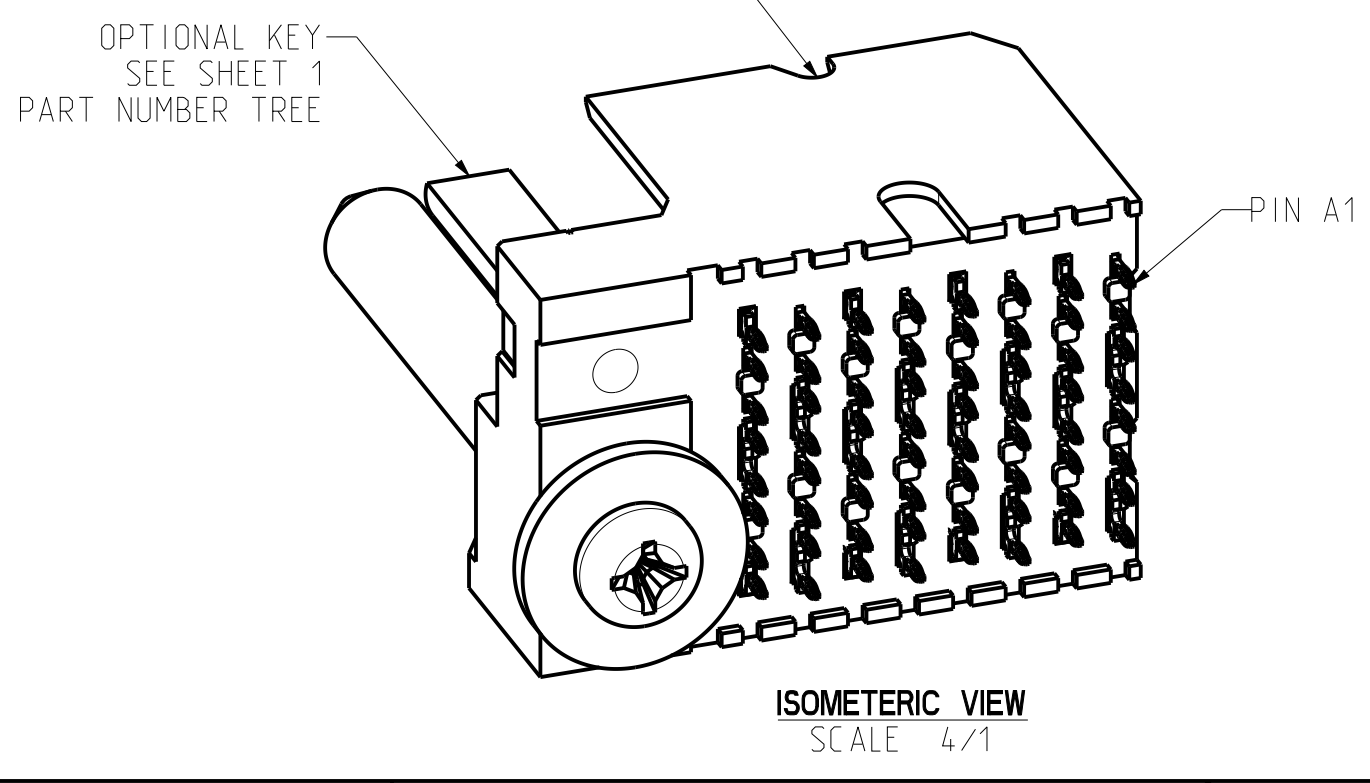
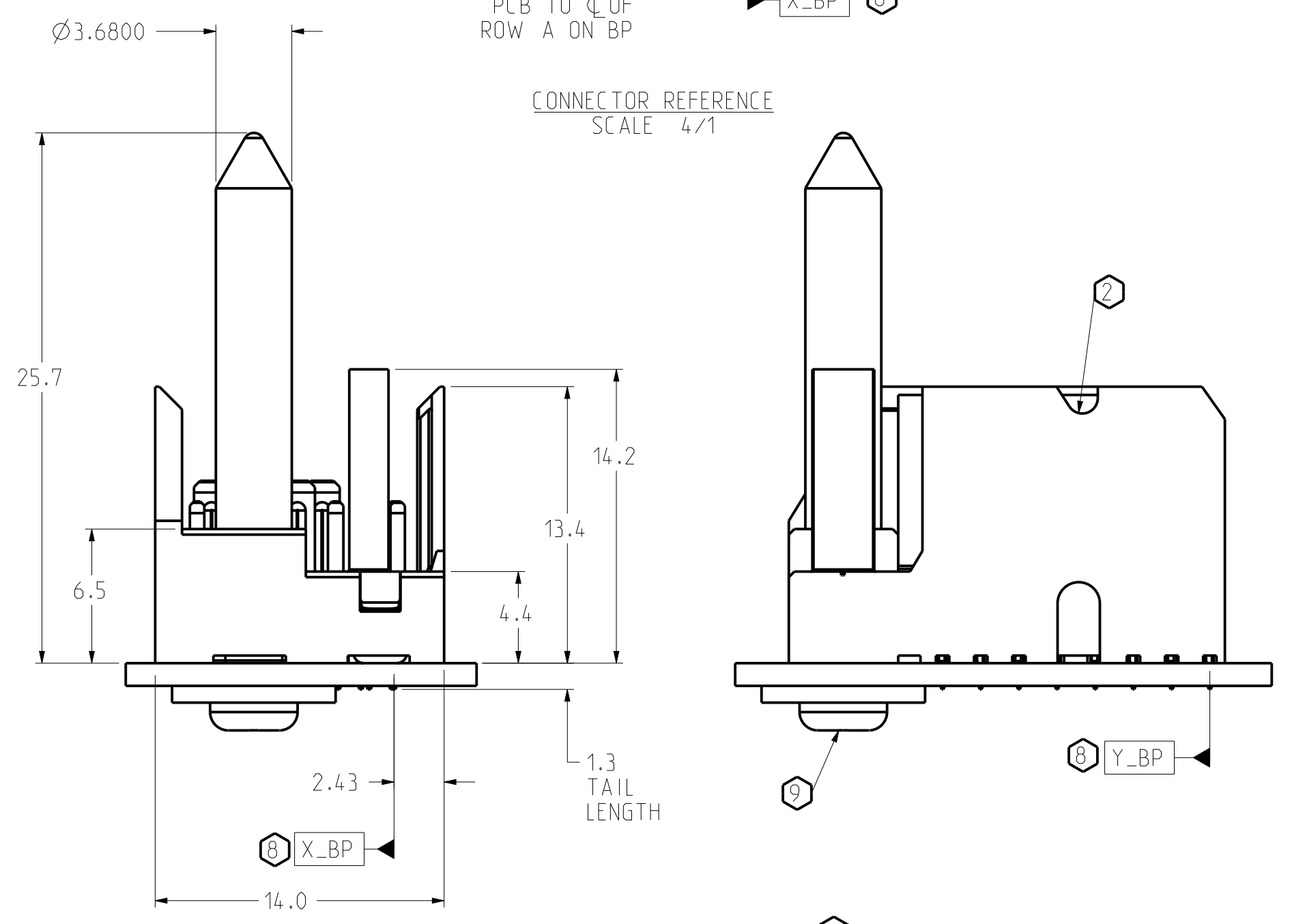
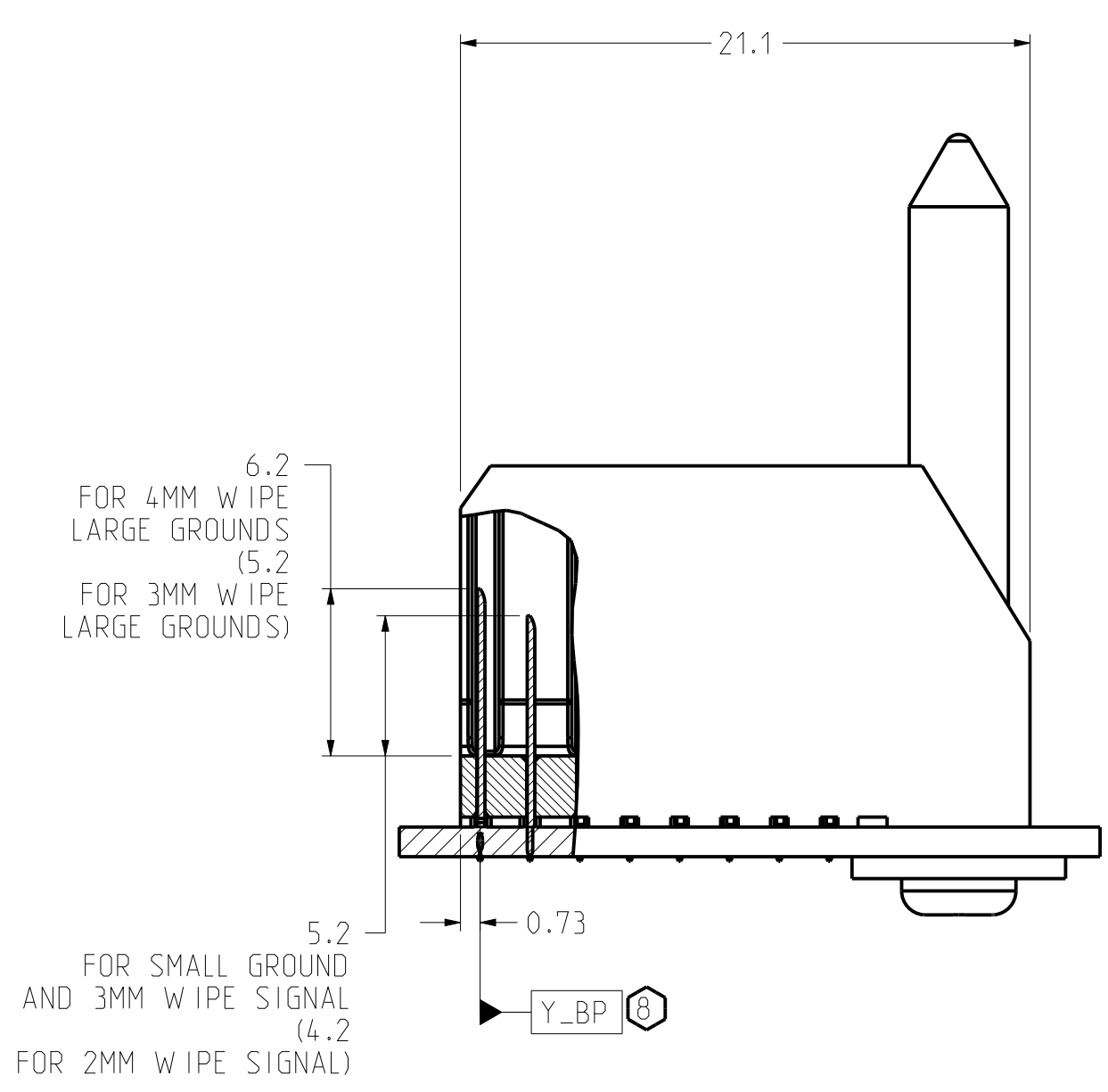
ZONE	REV	SCR NUMBER	DESCRIPTION	BY	DATE	APPROVED
			SEE SHEET 1			



RIGHT POLARIZING/GUIDE BACKPLANE MODULE DIMENSION



CONNECTOR REFERENCE SCALE 4/1



RIGHT POLARIZING/GUIDE BACKPLANE FOOTPRINT

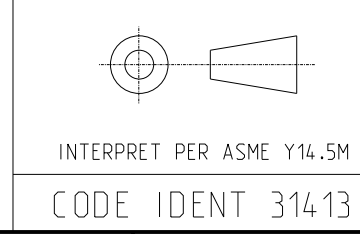
TOLERANCES	DESIGN	DATE
0.0 ±0.25	06/06/2007	LEIGHTON
0.00 ±0.13	10/22/2009	HCL-MH
0.000 ± -	10/22/2009	A.ASTBURY
ANGLES ± 3°	10/22/2009	D.SMITH

Amphenol TCS
A Division of Amphenol Corporation
200 Innovative Way, Nashua, NH 03082 803.879.3000

TITLE BACKPLANE MODULES, VERTICAL MALE HEADER
XCede, 2 PAIR B POSITION

PART NO. SEE PN TREE SHEET 1
DRAWING NO. C-951-200E-500

UNLESS OTHERWISE SPECIFIED DIMENSIONS ARE IN MM. DECIMAL MARKER IS A PERIOD



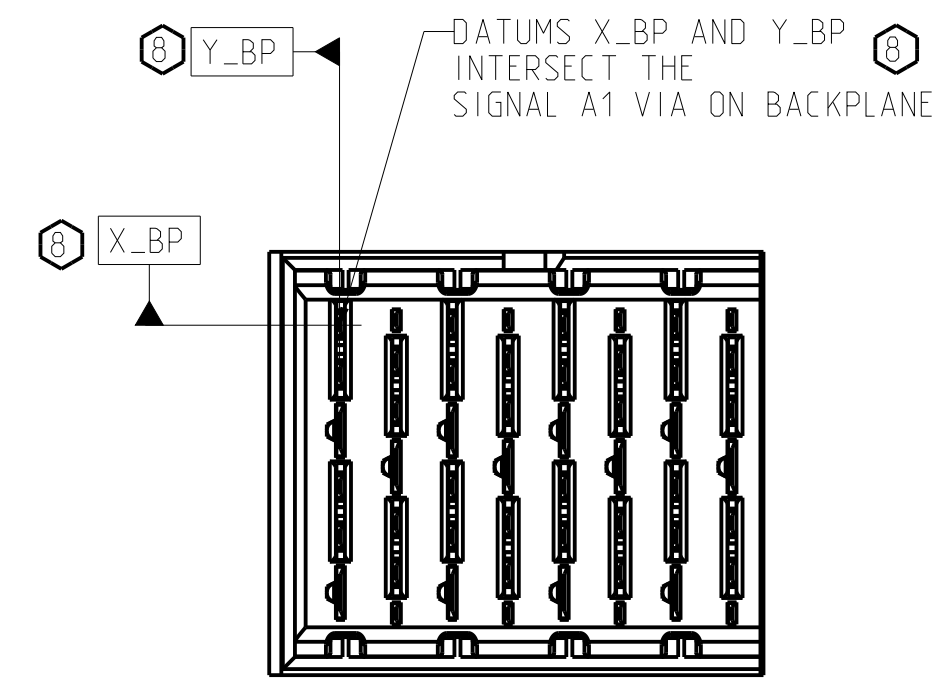
CUSTOMER USE DRAWING

ASSEM: C951-2-BP2-BWF
DRAWING: C951-200E-500
SCALE 4/1 SHEET 4 OF 8

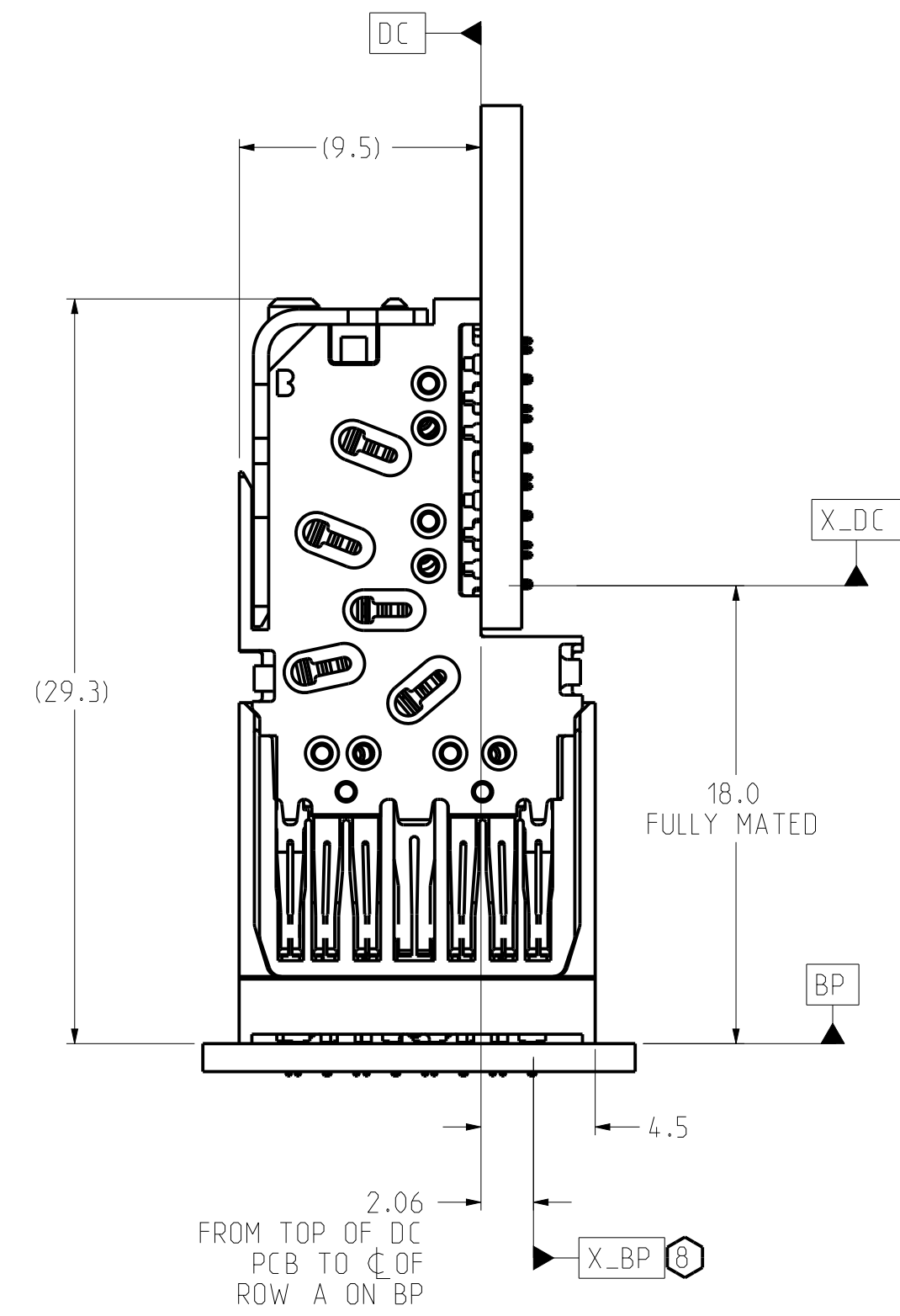
DRW NO. C-951-200E-500

SH 4 REV D

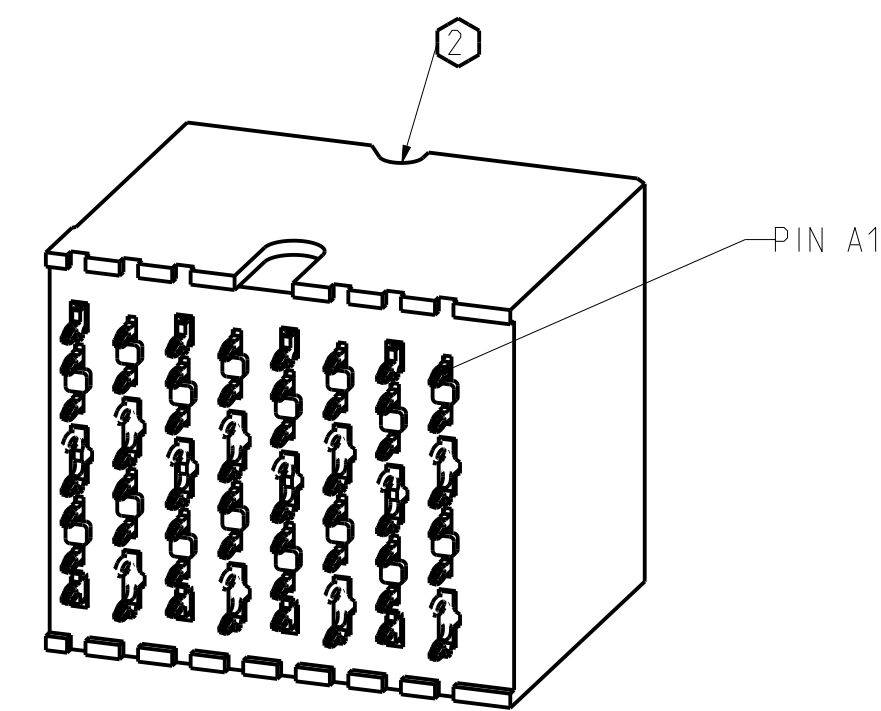
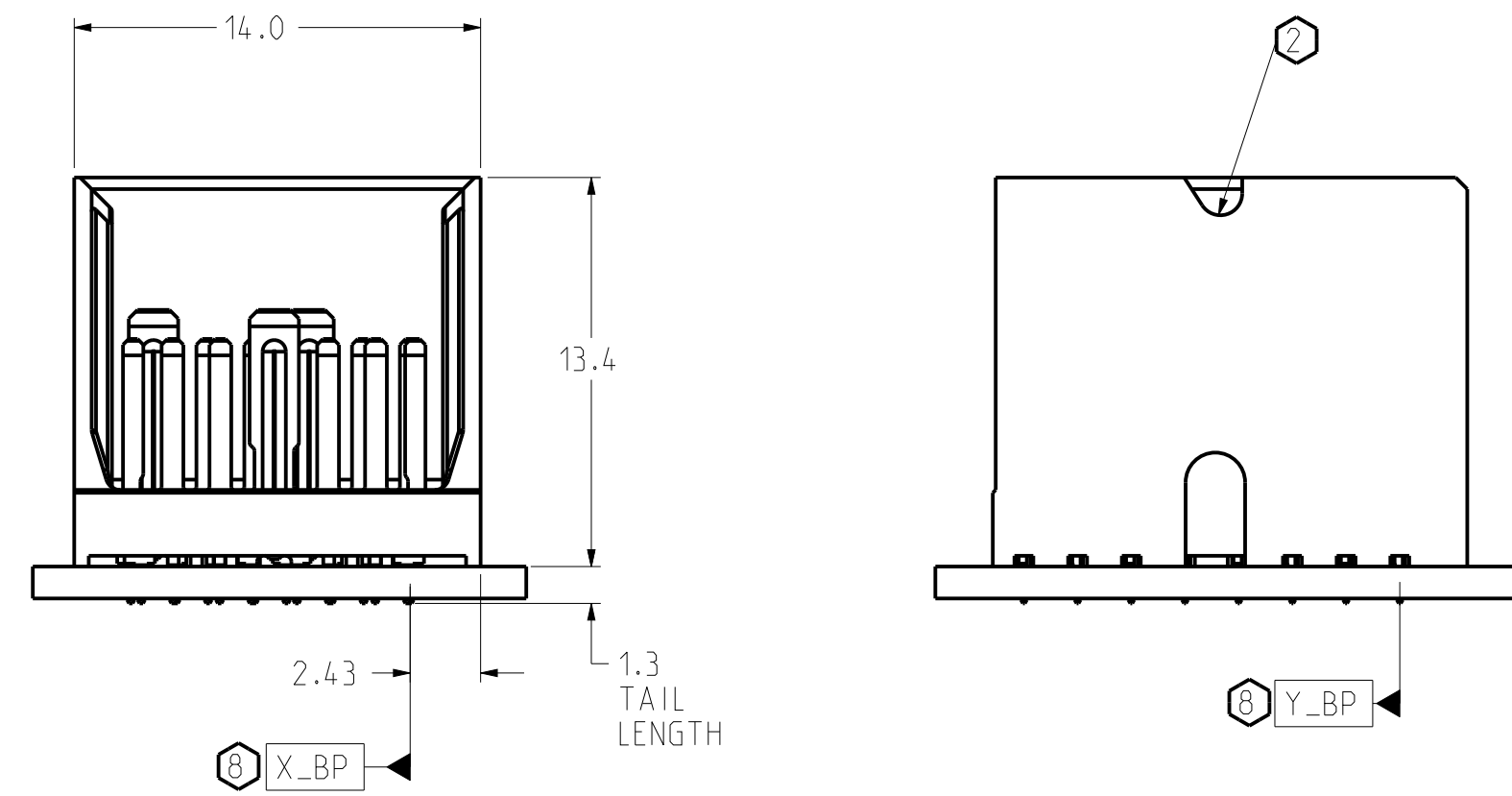
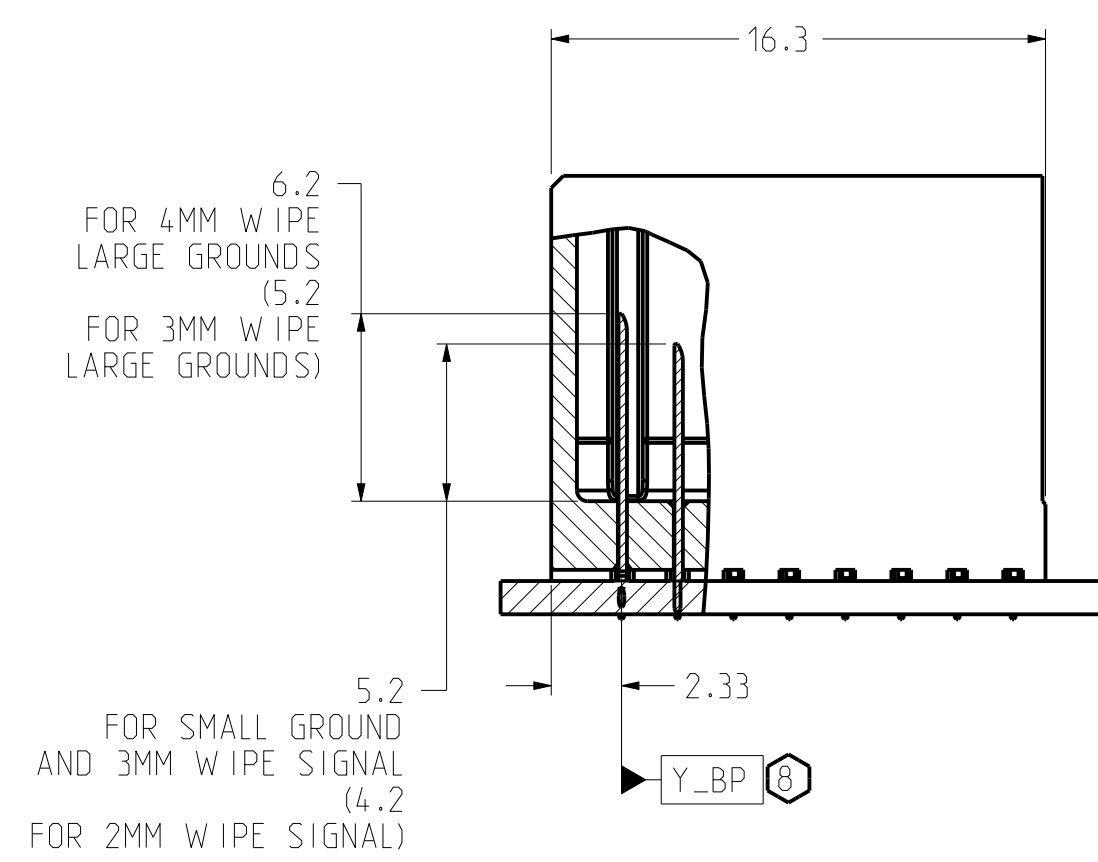
1.4 B.5



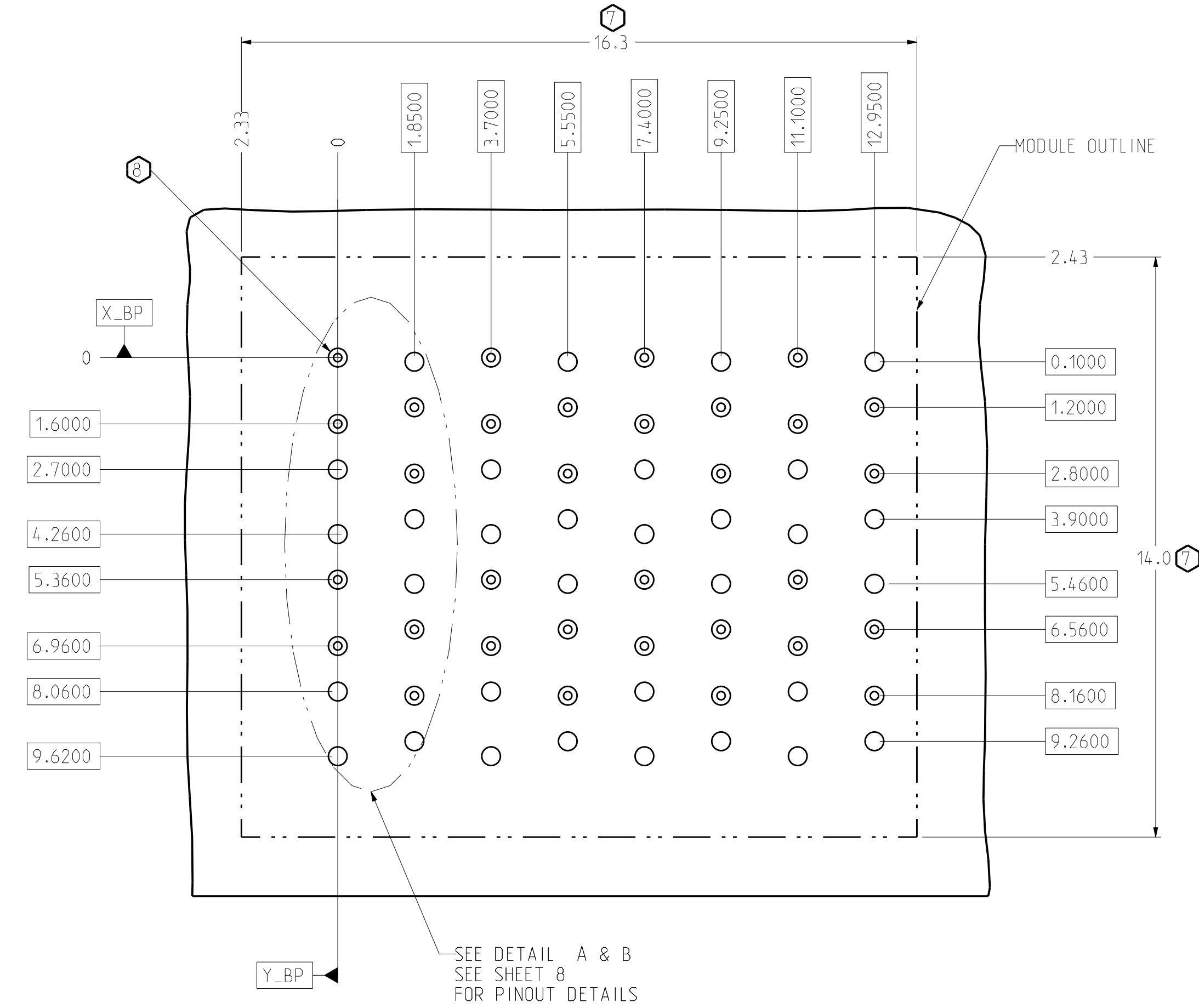
LEFT WALL BACKPLANE MODULE DIMENSION



CONNECTOR REFERENCE
SCALE 4/1



ISOMETRIC VIEW
SCALE 4/1



BP HOLE PATTERN
COMPONENT SIDE
SCALE 10/1

LEFT WALL BACKPLANE FOOTPRINT

TOLERANCES		DESIGN 06/06/2007 LEIGHTON	Amphenol TCS A Division of Amphenol Corporation 200 Innovative Way, Nashua, NH 03082 803.879.3000	TITLE BACKPLANE MODULES, VERTICAL MALE HEADER XCede, 2 PAIR B POSITION		
0.0	±0.25	DRAWN 10/22/2009 HCL-MH		PART NO.	SEE PN TREE SHEET 1	REV N/A
0.00	±0.13	CHK 10/22/2009 A.ASTBURY		DRAWING NO.	C-951-200E-500	REV D
0.000	±	APVD 10/22/2009 D.SMITH		ASSEMBLY ASSEM: C951-2-BP2-BWF DRAWING: C951-200E-500	SCALE 4/1	REV 1.4 B.5
ANGLES ± 3°		UNLESS OTHERWISE SPECIFIED DIMENSIONS ARE IN MM. DECIMAL MARKER IS A PERIOD.		SIZE D	SHEET 5 OF 8	

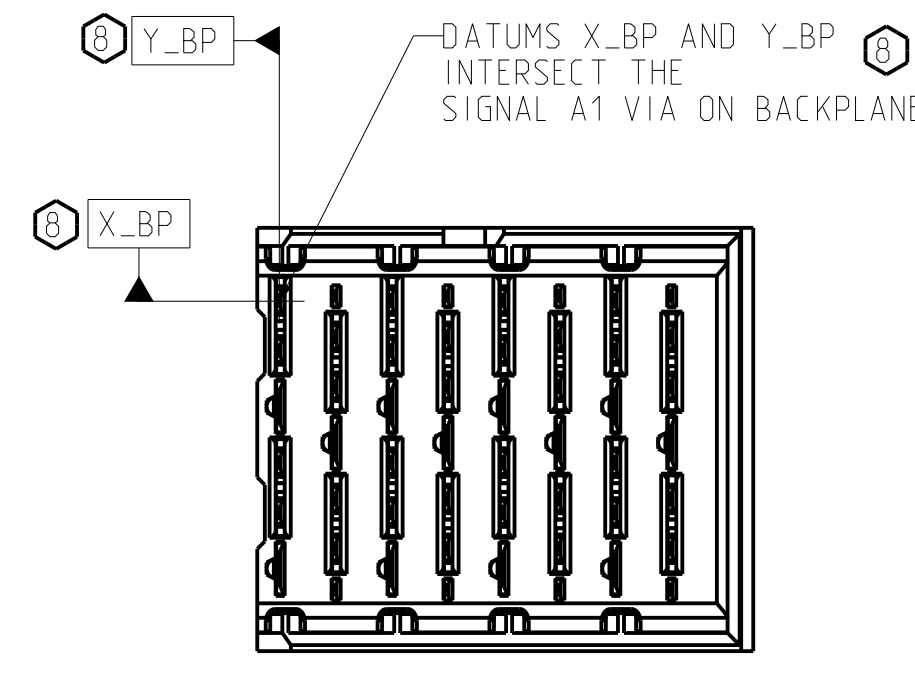
INTERPRET PER ASME Y14.5M
CODE IDENT 31413

CUSTOMER USE
DRAWING

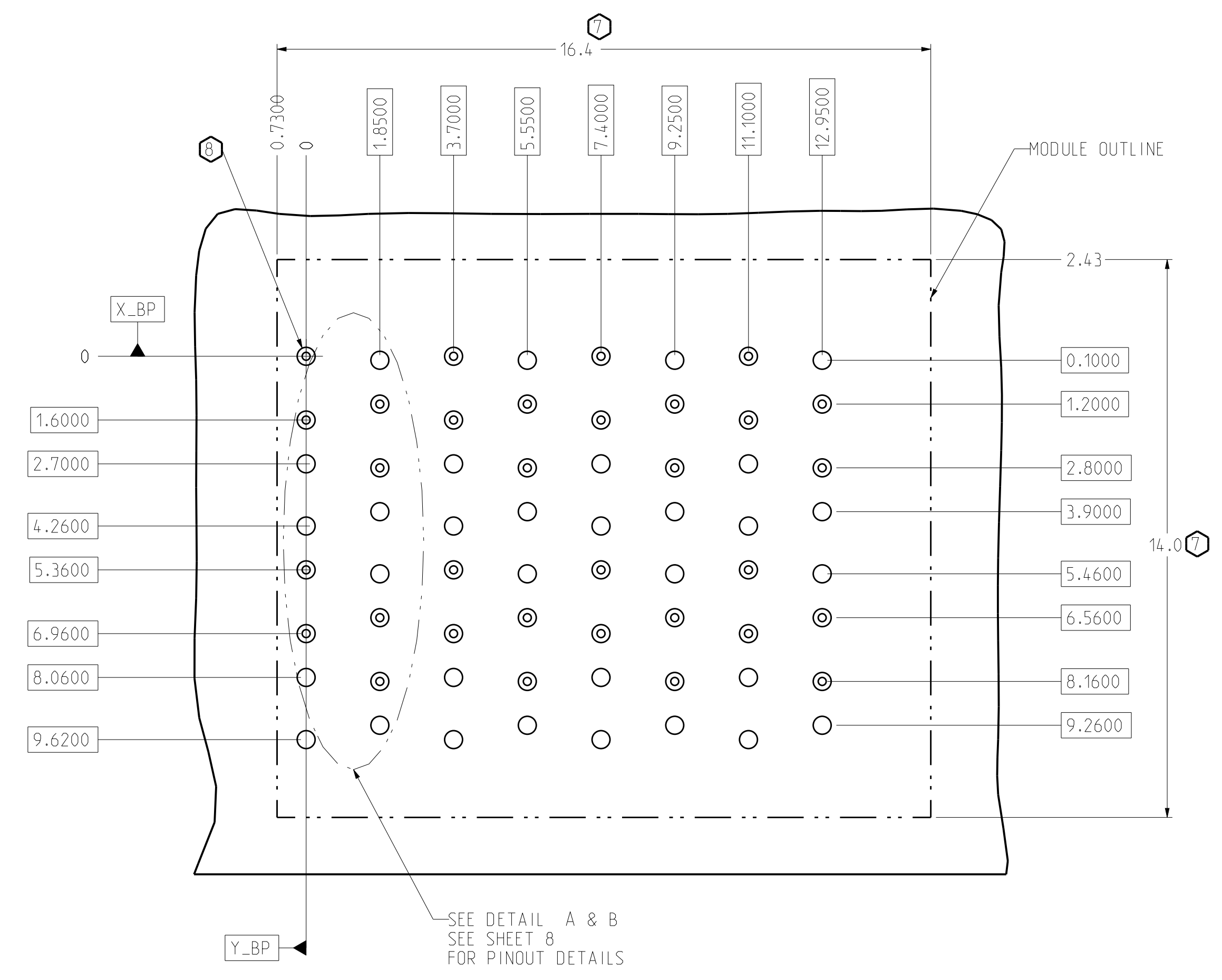
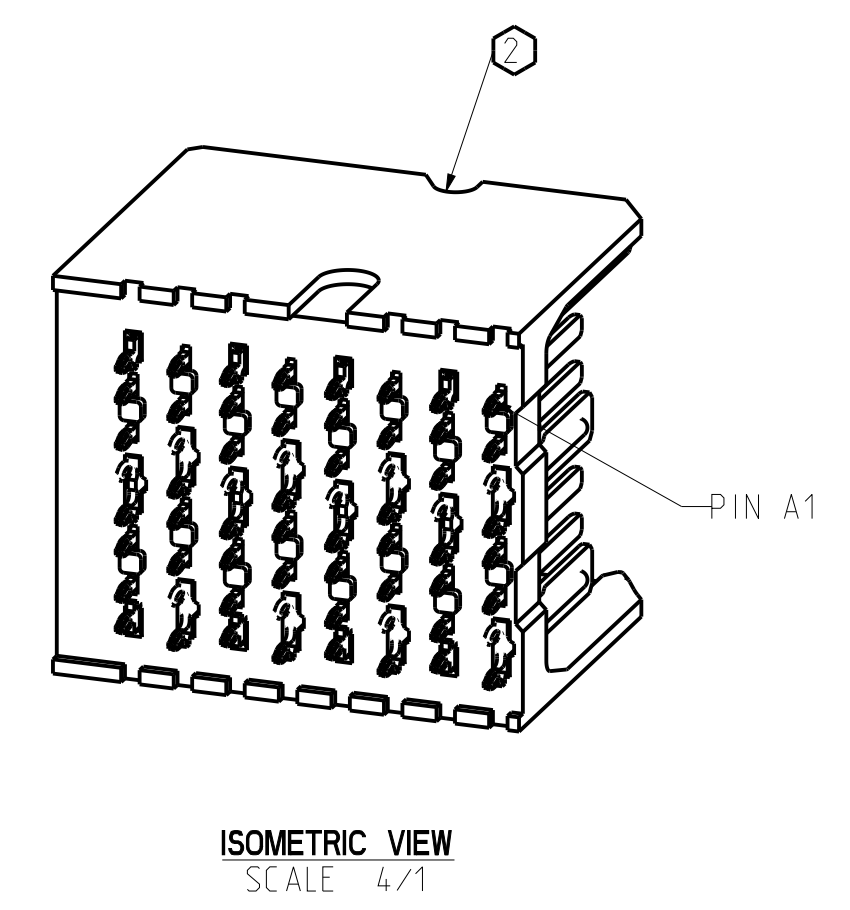
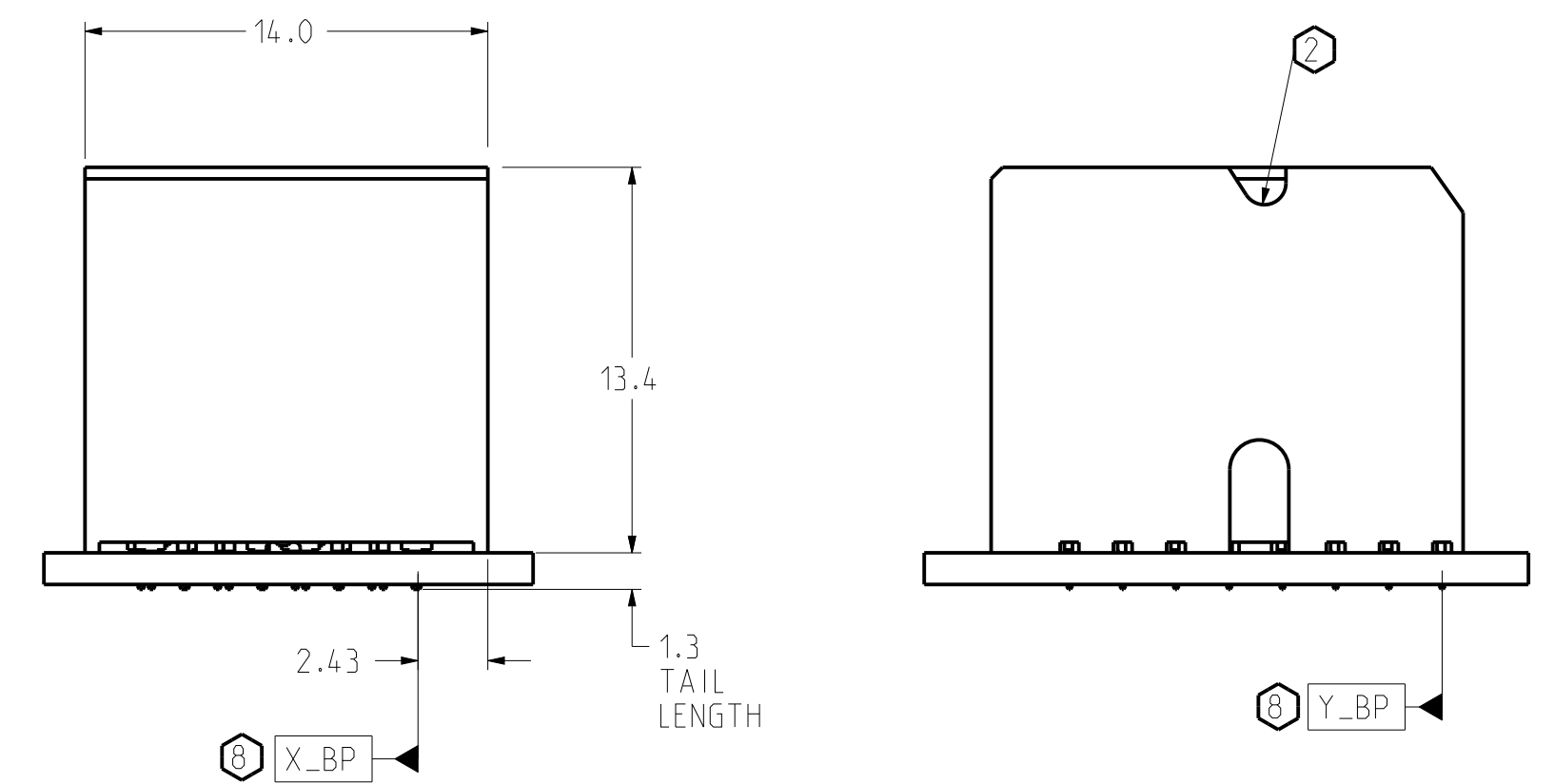
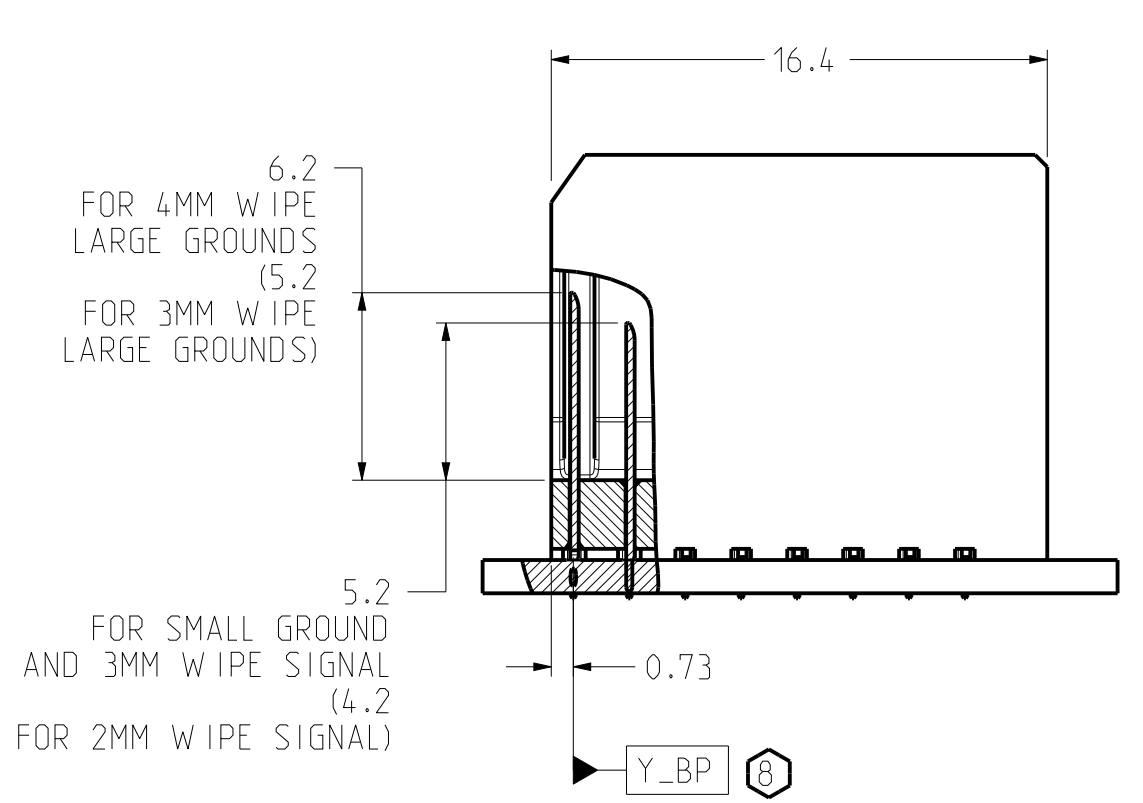
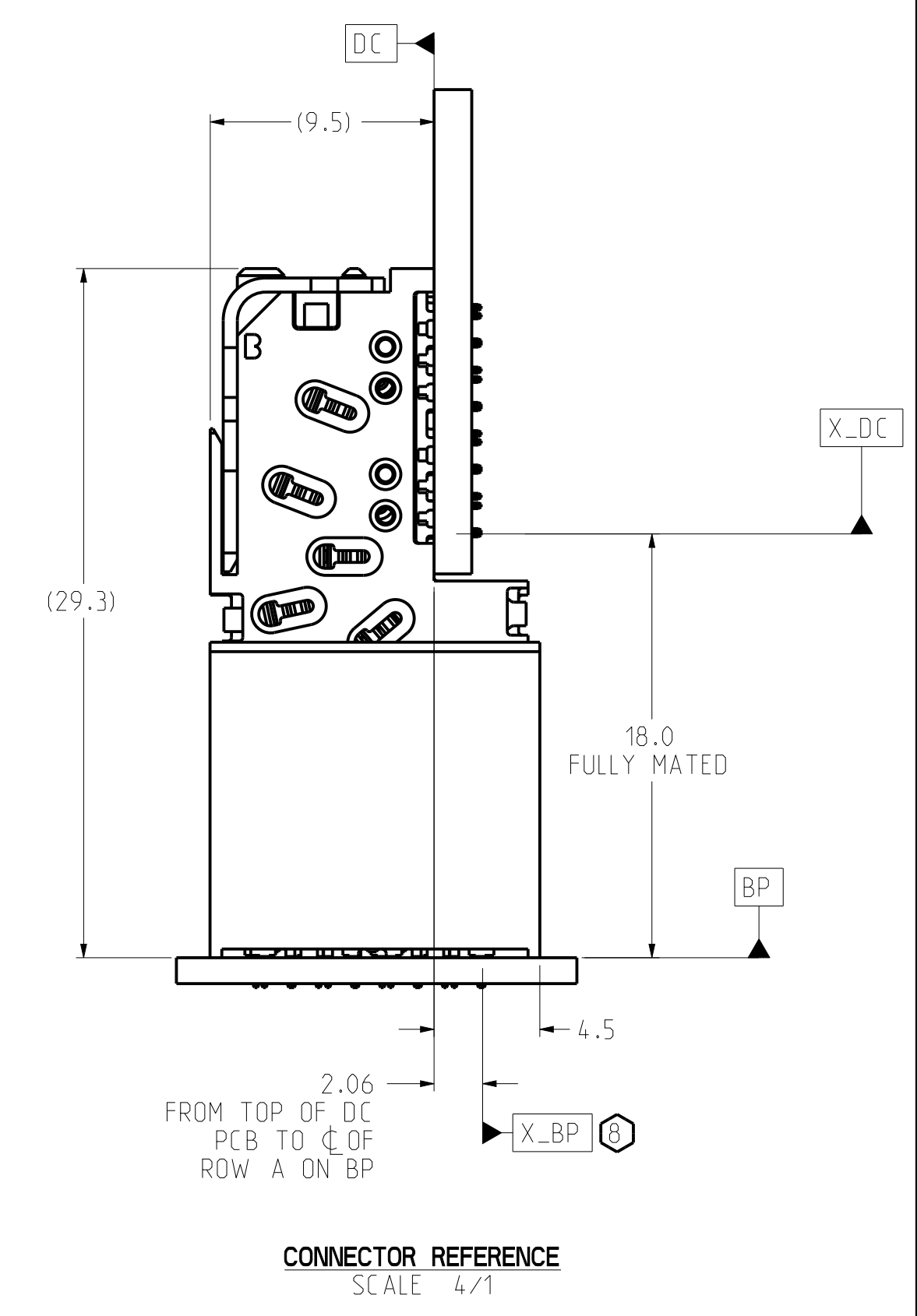
DRW NO.
C-951-200E-500

SH
5
REV
D

DRW NO.	C-951-200E-500	SH	6	REV	D	
ZONE	REV	SCR NUMBER	DESCRIPTION	BY	DATE	APPROVED
			SEE SHEET 1			



RIGHT WALL BACKPLANE MODULE DIMENSION



BP HOLE PATTERN COMPONENT SIDE SCALE 10/1

RIGHT WALL BACKPLANE FOOTPRINT

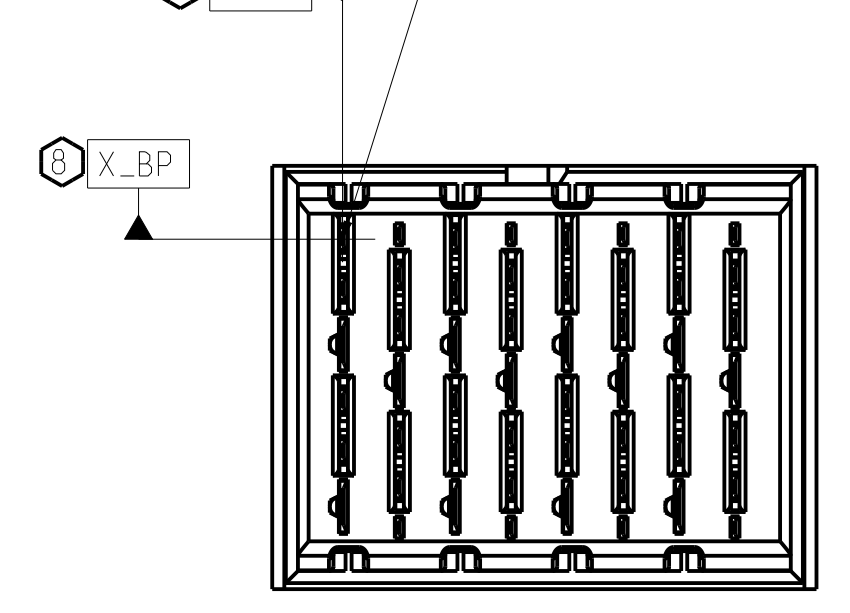
TOLERANCES		DESIGN 06/06/2007 LEIGHTON	Amphenol TCS A Division of Amphenol Corporation 200 Innovative Way, Nashua, NH 03082 803.879.3000 TITLE BACKPLANE MODULES, VERTICAL MALE HEADER XCode: 2 PAIR B POSITION PART NO. SEE PN TREE SHEET 1 DRAWING NO. C-951-200E-500 ASSEM: C951-2-BP2-BW-F DRAWING: C951-200E-500 SIZE D SCALE 4/1 SHEET 6 OF 8
0.0	± 0.25	DRAWN 10/22/2009 HCL-MH	
0.00	± 0.13	CHK 10/22/2009 A.ASTBURY	
0.000	\pm	APVD 10/22/2009 D.SMITH	
ANGLES $\pm 3^\circ$		UNLESS OTHERWISE SPECIFIED DIMENSIONS ARE IN MM. DECIMAL MARKER IS A PERIOD.	
INTERPRET PER ASME Y14.5M CODE IDENT 31413		CUSTOMER USE DRAWING	

DRW NO. C-951-200E-500

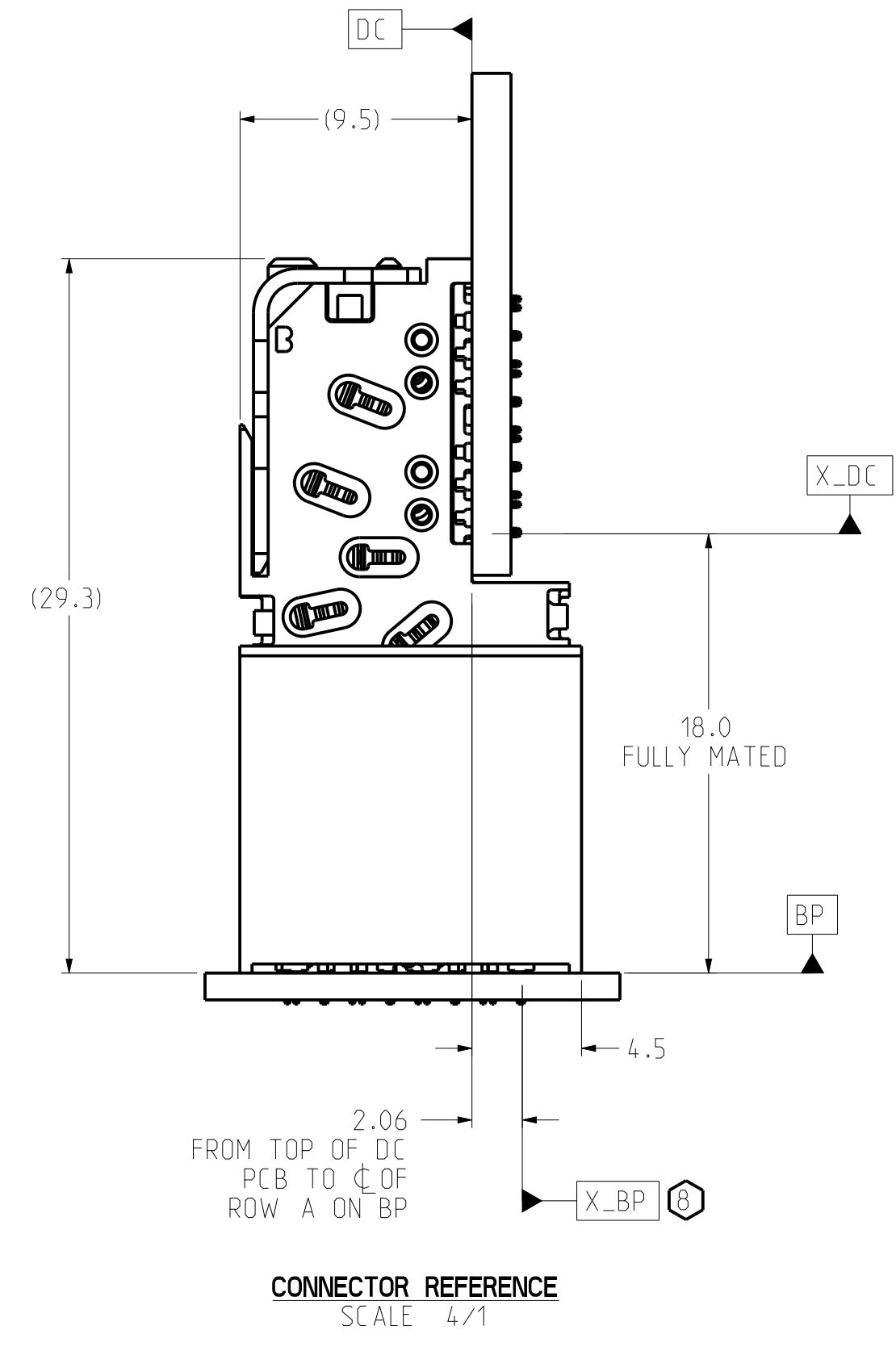
SH 6 REV D

DRW NO.	C-951-200E-500	SH	7	REV	D	
ZONE	REV	SCR NUMBER	DESCRIPTION	BY	DATE	APPROVED
			SEE SHEET 1			

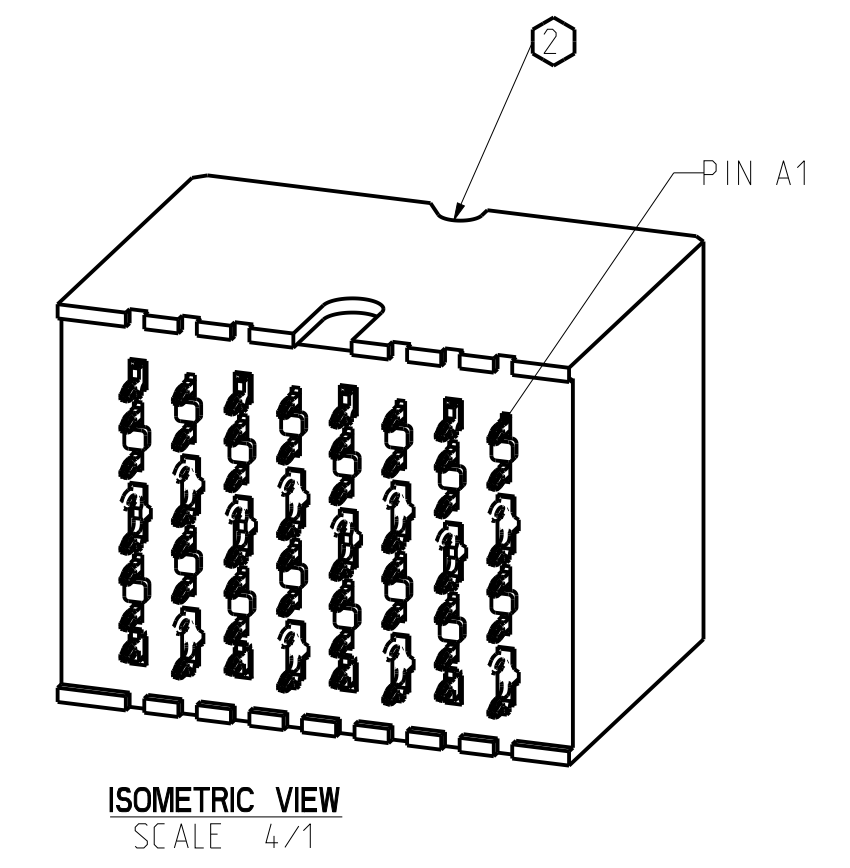
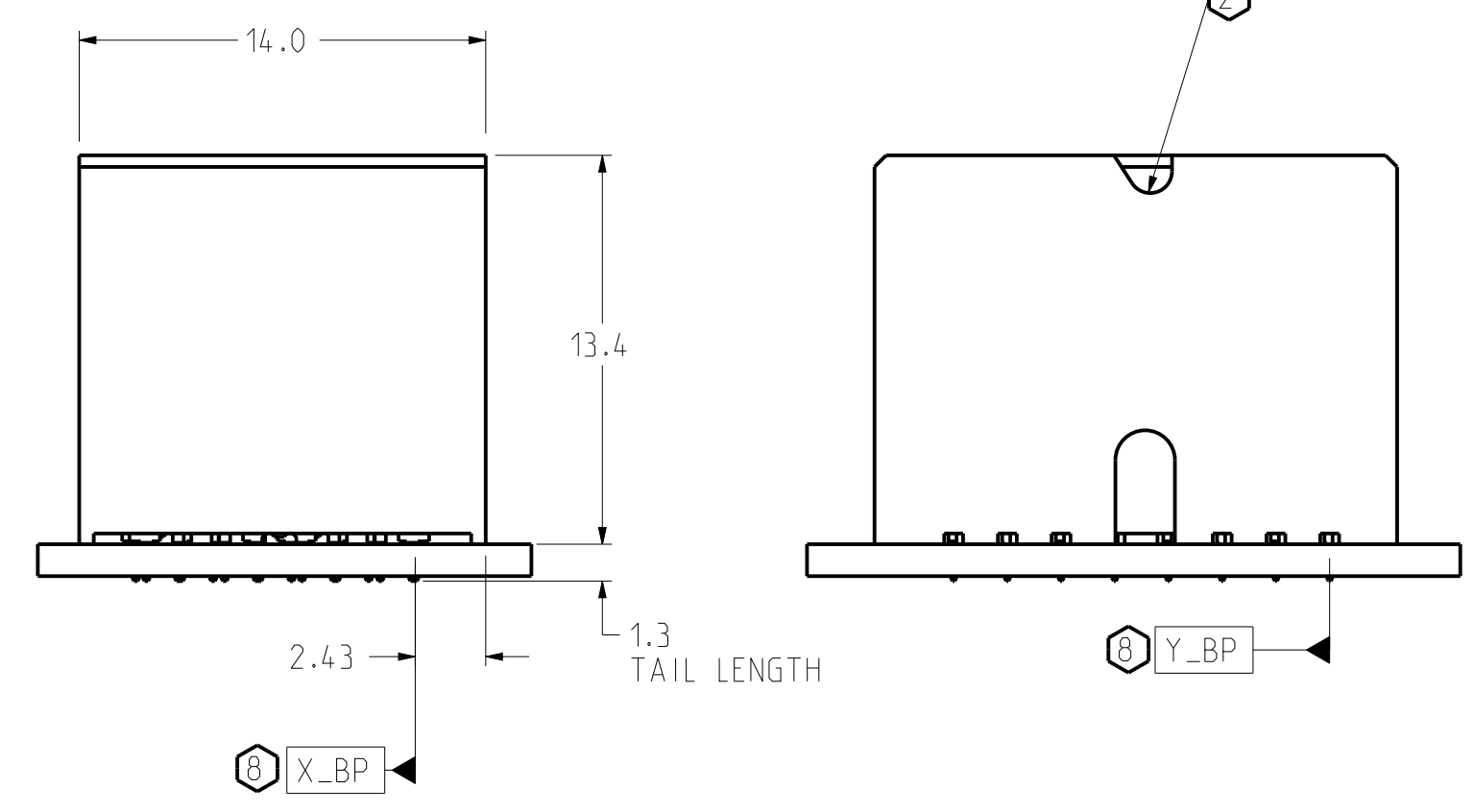
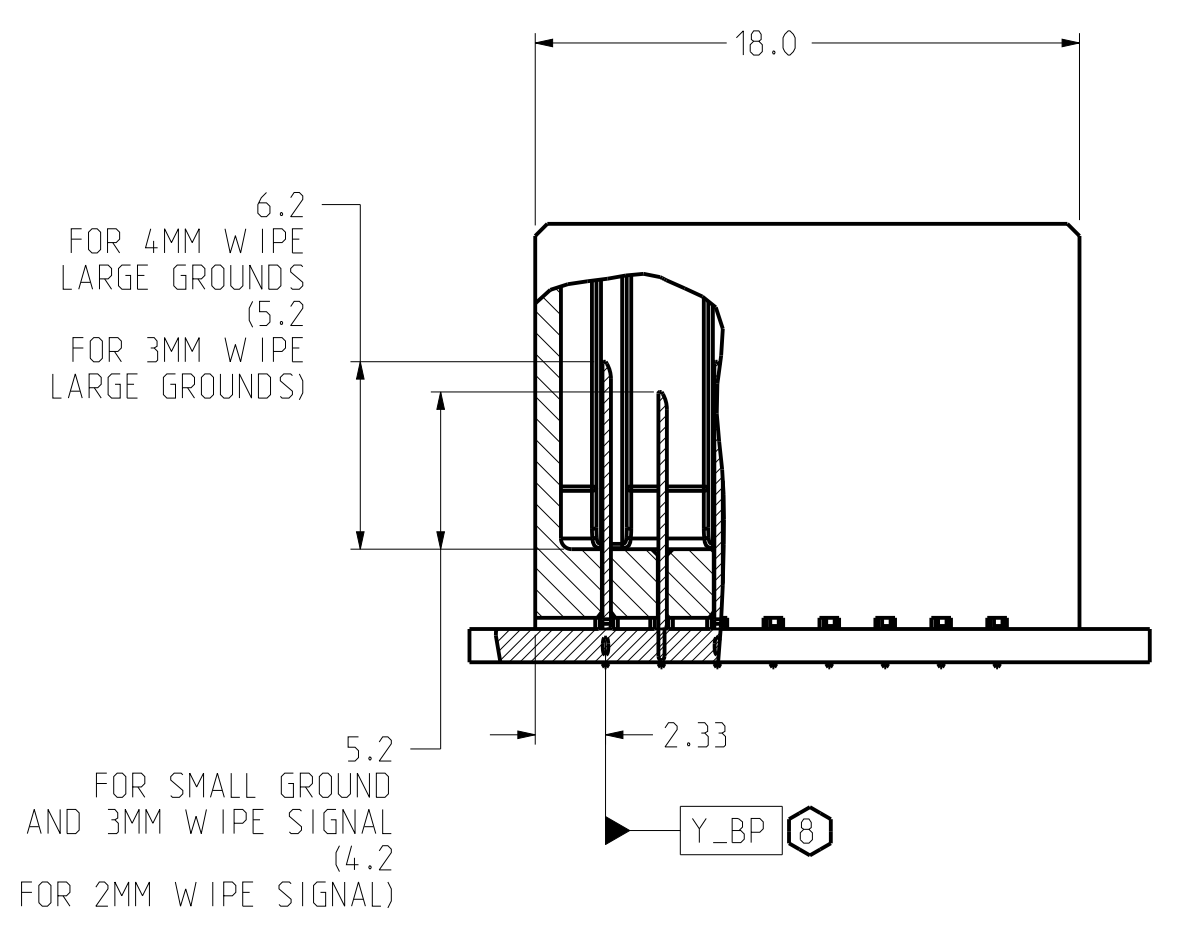
DATUMS X_BP AND Y_BP INTERSECT THE SIGNAL A1 VIA ON BACKPLANE



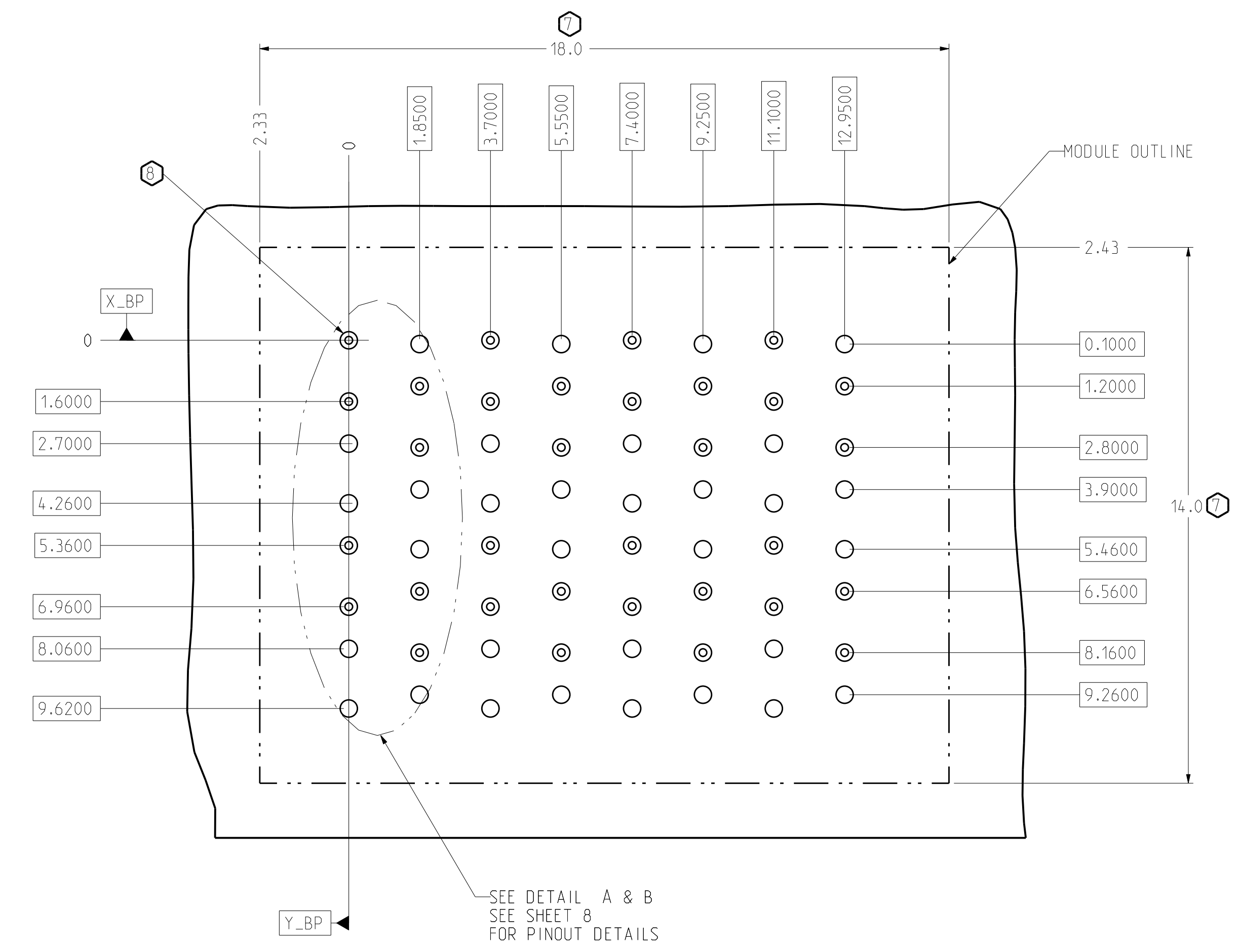
TWO WALL BACKPLANE MODULE DIMENSION



CONNECTOR REFERENCE
SCALE 4/1



ISOMETRIC VIEW
SCALE 4/1



BP HOLE PATTERN
COMPONENT SIDE
SCALE 10/1

TWO WALL BACKPLANE FOOTPRINT

TOLERANCES		DESIGN 06/06/2007 LEIGHTON	Amphenol TCS A Division of Amphenol Corporation 200 Innovative Way, Nashua, NH 03082 603.879.3000	TITLE	BACKPLANE MODULES, VERTICAL MALE HEADER XCede, 2 PAIR B POSITION	
0.0	±0.25	DRAWN 10/22/2009 HCL-MH		PART NO.	SEE PN TREE SHEET 1	REV N/A
0.00	±0.13	CHK 10/22/2009 A.ASTBURY		DRAWING NO.	C-951-200E-500	REV D
0.000	±	APVD 10/22/2009 D.SMITH		ASSEM	C951-2-BP2-BW-F DRAWING: C951-200E-500	1.4 B.5
ANGLES ± 3°		UNLESS OTHERWISE SPECIFIED DIMENSIONS ARE IN MM. DECIMAL MARKER IS A PERIOD.		SIZE	D	
INTERPRET PER ASME Y14.5M		CODE IDENT 31413		SCALE	4/1	
CUSTOMER USE DRAWING				SHEET	7 OF 8	

DRW NO. C-951-200E-500

SH 7 REV D

8

7

6

5

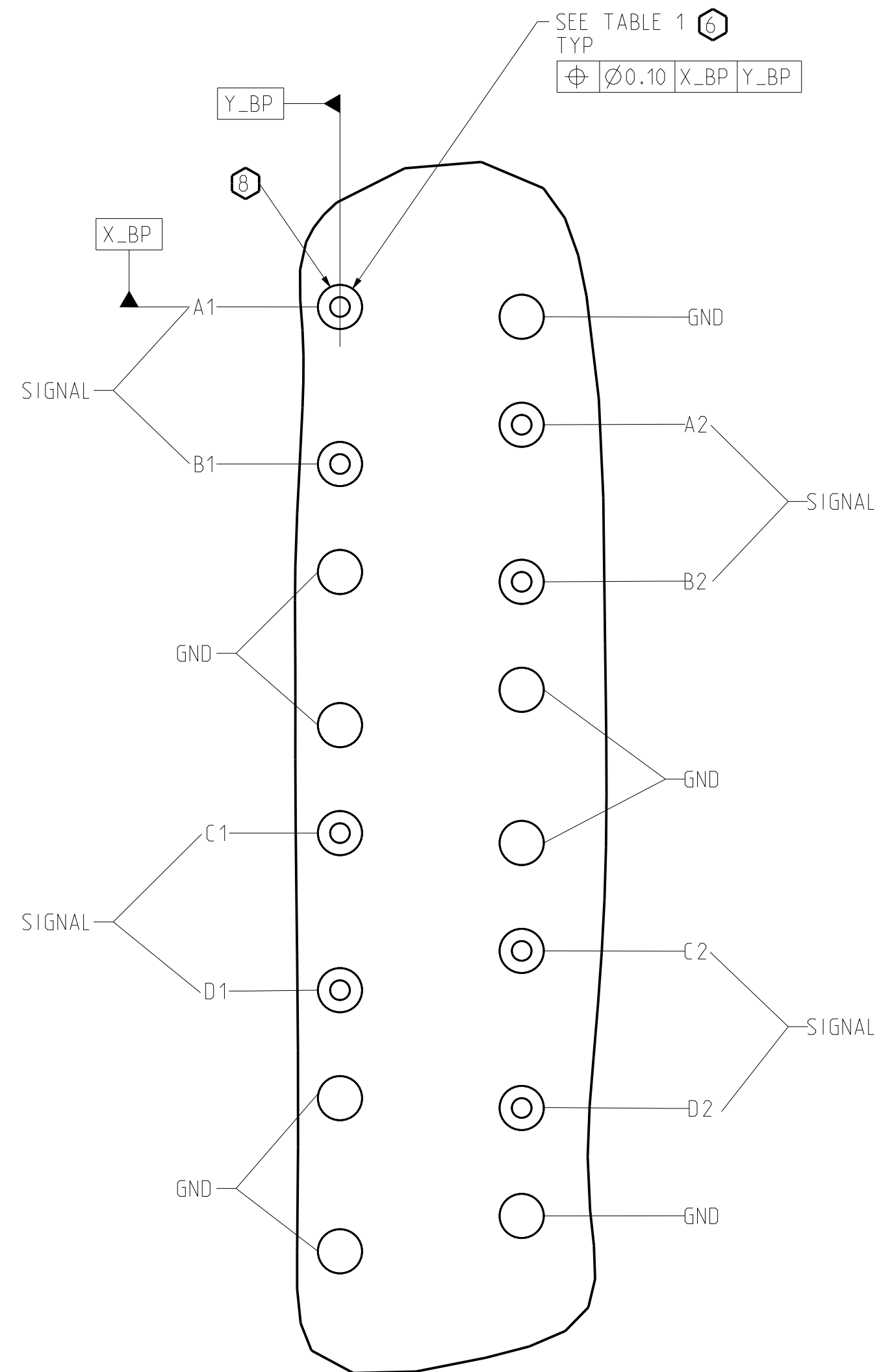
4

3

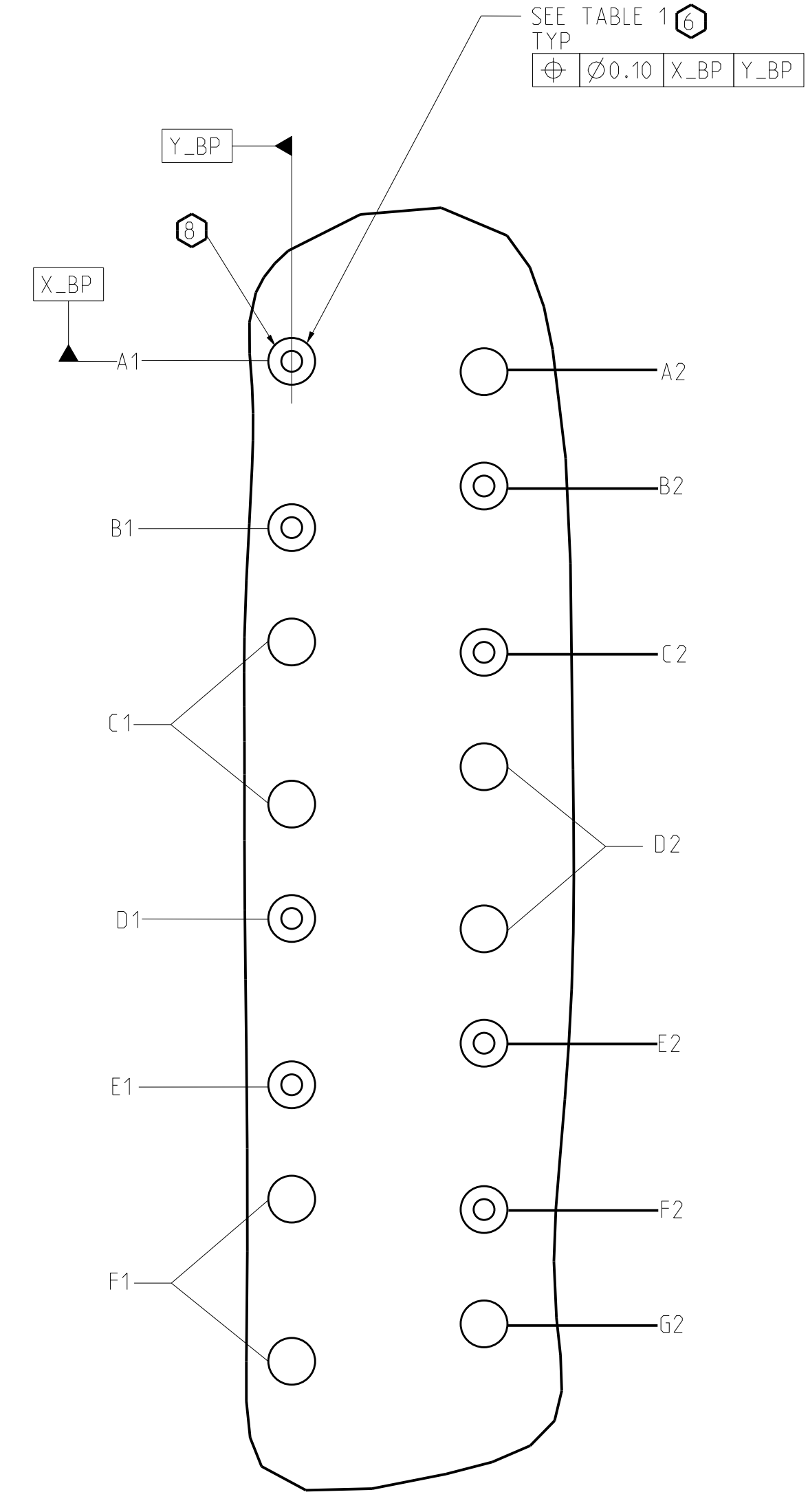
DRW NO. C-951-200E-500

SH 8 REV D

ZONE	REV	SCR NUMBER	DESCRIPTION	BY	DATE	APPROVED
			SEE SHEET 1			



DETAIL A
HSD PINOUTS
 SCALE 20/1



DETAIL B
LC PINOUTS
 SCALE 20/1

TABLE 1

	COMPLIANT PIN DRILL Ø0.0217"	COMPLIANT PIN DRILL Ø0.0177"
PTH	Ø0.45±0.05	Ø0.36±0.05
DRILL	Ø0.55 [0.0217"]	Ø0.45 [0.0177"]
PAD	Ø0.85	Ø0.75

TOLERANCES		DESIGN 06/06/2007 LEIGHTON	Amphenol TCS A Division of Amphenol Corporation 200 Innovative Way, Nashua, NH 03062 603.879.3000	TITLE BACKPLANE MODULES, VERTICAL MALE HEADER XCede, 2 PAIR B POSITION		
0.0	±0.25	DRAWN 10/22/2009 HCL-MH		PART NO. SEE PN TREE SHEET 1	REV N/A	
0.00	±0.13	CHK 10/22/2009 A.ASTBURY		DRAWING NO. C-951-200E-500	REV D	
0.000	± -	APVD 10/22/2009 D.SMITH		ASSEM: C951-2-BP2-BW-F DRAWING: C951-200E-500	1.4 B.5	
ANGLES ± 3°		UNLESS OTHERWISE SPECIFIED DIMENSIONS ARE IN MM. DECIMAL MARKER IS A PERIOD.		SIZE D	SHEET 8 OF 8	
INTERPRET PER ASME Y14.5M CODE IDENT 31413			CUSTOMER USE DRAWING			

DRW NO. C-951-200E-500

SH 8 REV D

8

7

6

5

4

3

2

1