

ZONE	REV	SCR NUMBER	DESCRIPTION	BY	DATE	APPROVED
ALL	A	AASY-8HDRHQ.VER01	NEW RELEASE	HCL-RP	06/06/2011	A.ASTBURY
SHT1; B2	B	MSPE-8TVHFZ.VER01	DIMENSION 2.04 WAS 2.09	HCL-MP	05/17/2012	M.SPACONE
SHT1; D6	C	DSMH-8WBL4D.VER01	PLATING DESCRIPTION UPDATED IN PART NUMBER TREE	HCL-NS	07/24/2012	D.SMITH
SHT 1 C5	D	BMEL-9MCRNA.VER02	DIMENSION 24.8 WAS 24.76	HCL-NN	08/22/2014	B.MERRILL
	E	DCOY-A84GPZ.VER01	UPDATED PART MARKING NOTE	HCL-SD	04/08/2016	D.COVEY

OPEN L-SERIES BACKPLANE MODULE
ASSEMBLY PART NUMBER ASSIGNMENT
951 - 4 0 XX - X 0 X

PLATING ④
 B = NI SULFAMATE, STANDARD GOLD, LEADED
 C = NI SULFAMATE, HIGH GOLD, LEADED
 D = NI SULFAMATE, STANDARD GOLD, LEAD-FREE
 E = NI SULFAMATE, HIGH GOLD, LEAD-FREE
 F = NANO NI, STANDARD GOLD, LEADED
 G = NANO NI, HIGH GOLD, LEADED
 H = NANO NI, STANDARD GOLD, LEAD-FREE
 J = NANO NI, HIGH GOLD, LEAD-FREE

MINIMUM PIN WIPE LENGTH, SEE DETAIL U
 0 = 1.00 mm WIPE
 1 = 2.00 mm WIPE
 2 = 3.00 mm WIPE

NUMBER OF COLUMNS
 1A = 5 COLUMN MODULE
 2A = 10 COLUMN MODULE

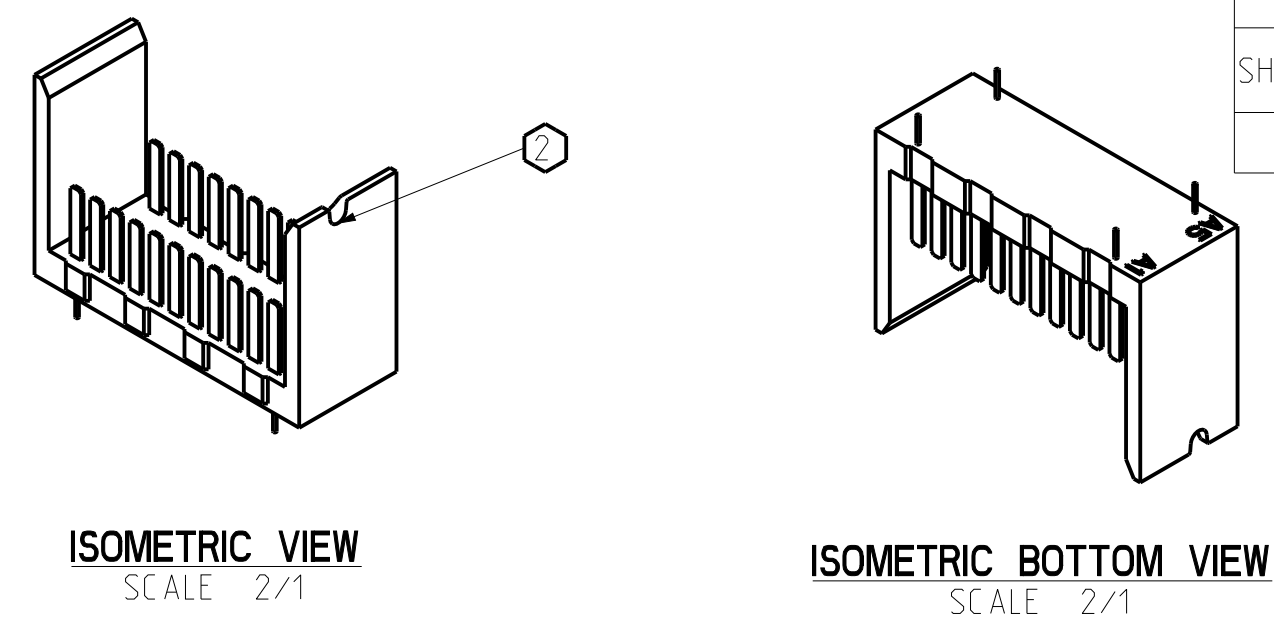
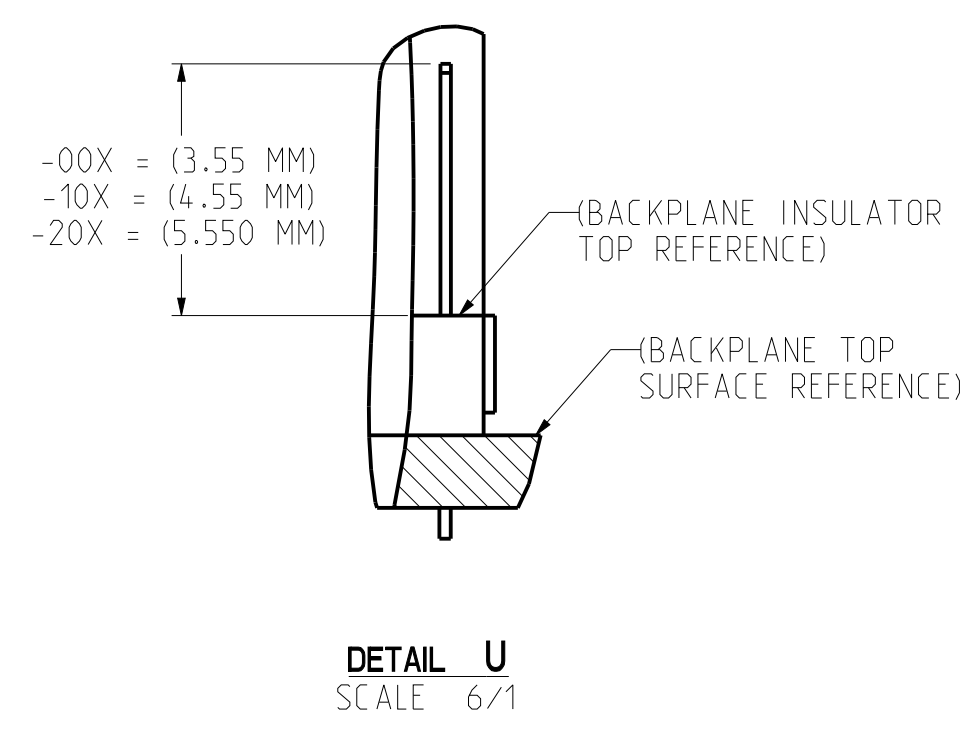
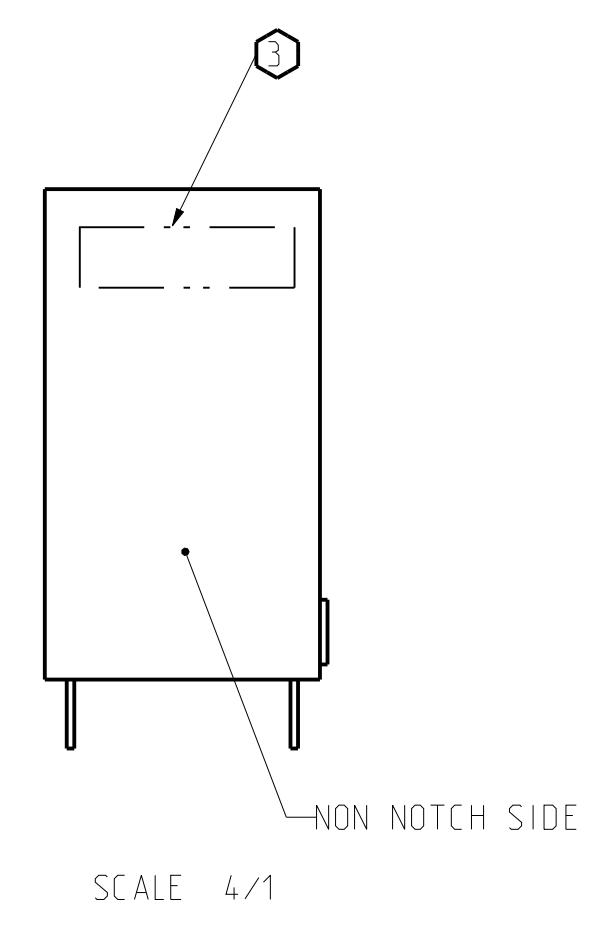
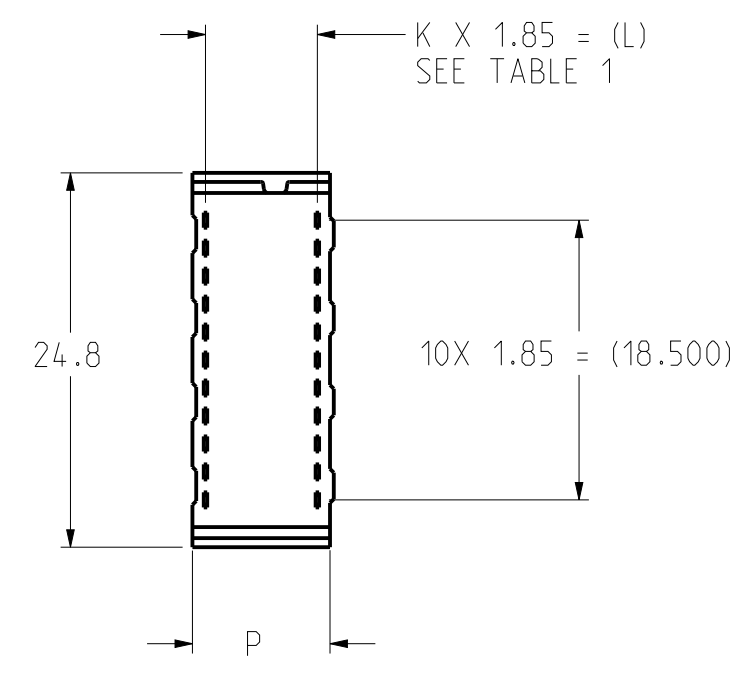
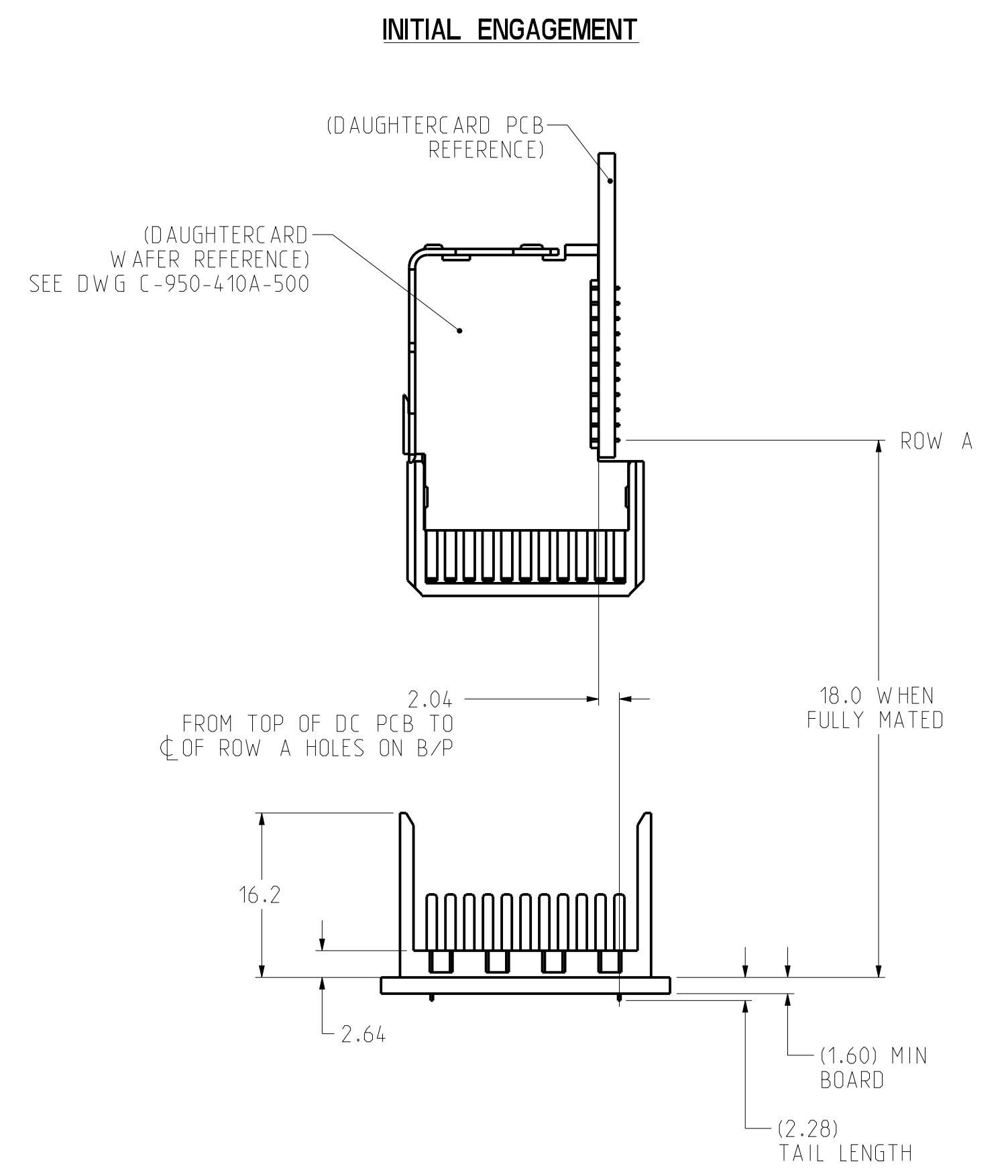
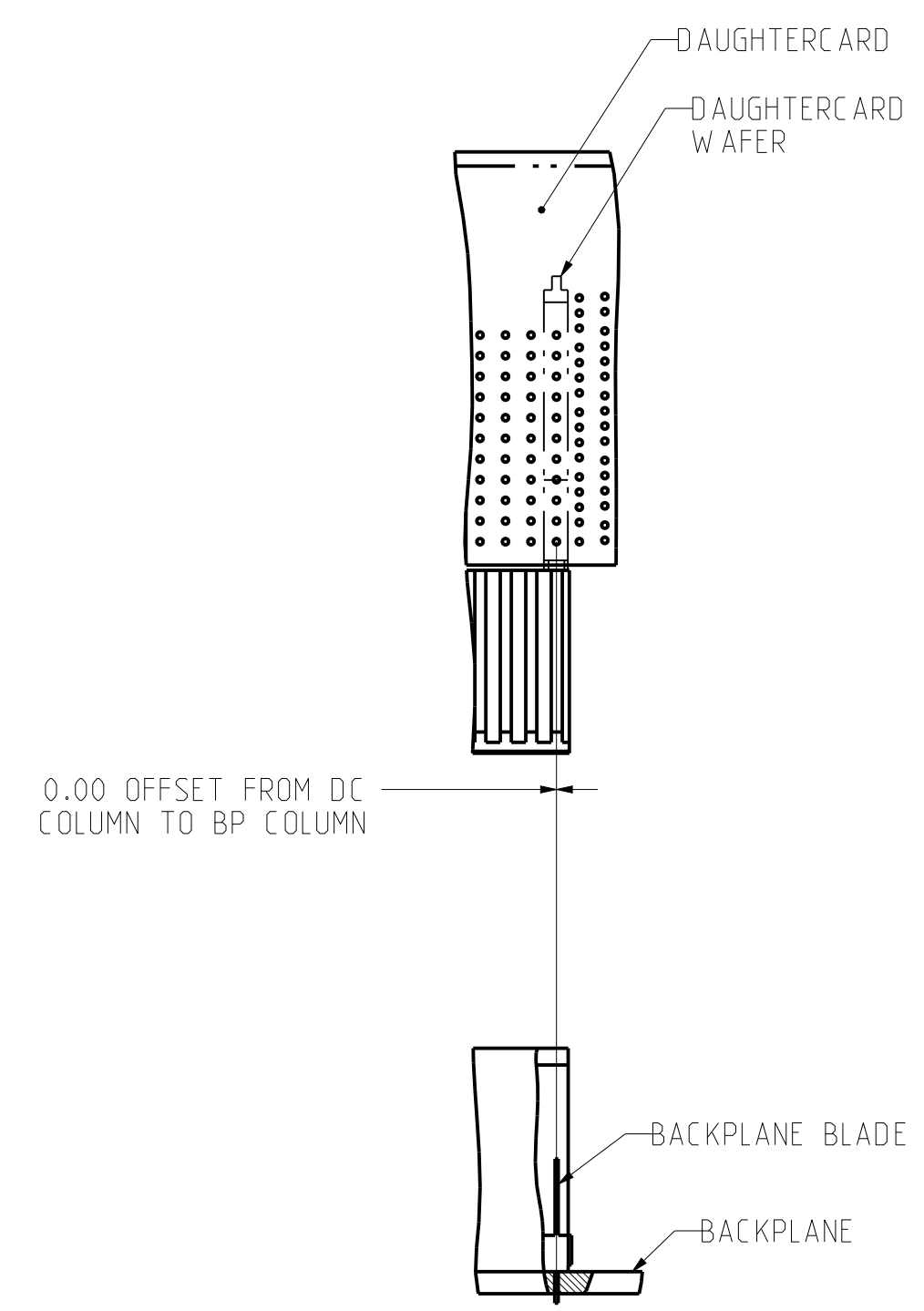
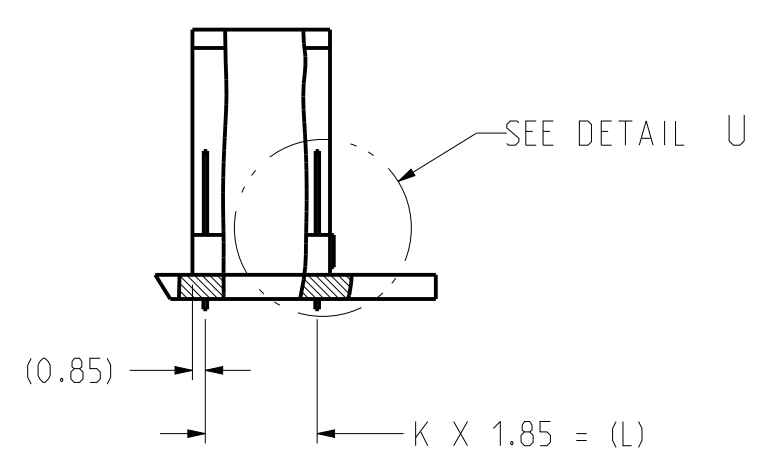


TABLE 1

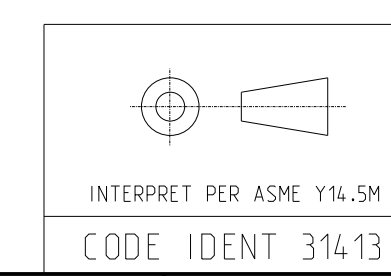
ASSEMBLY PART NUMBER	K	(L)	P	TOTAL NUMBER OF SIGNAL CONTACTS
951-401A-X0X	4	(7.40)	9.10	55
951-402A-X0X	9	(16.65)	18.35	110



TOP VIEW
BACKPLANE SHOWN ONLY
SCALE 2/1



- NOTES:
- REFER TO TB-2150 FOR XCede PRODUCT SPECIFICATIONS.
 - ② NOTCH DESIGNATES "ROW A" SIDE OF SHROUD. NOTCH FEATURE ON OPPOSITE SIDE FROM PART MARKING.
 - ③ SEE TB-2325 FOR PART MARKING REQUIREMENTS.
 - ④ 10th DIGIT OF PART NUMBER IDENTIFIES PLATING CODE, PER EGS 205.
 - FOR REPAIR PROCEDURE FOR SIGNAL BLADE, SEE TB-2099.
 - ⑥ STATED PAD SIZE MAY REQUIRE FILLETING. FOR DETAILED ROUTING GUIDELINES, SEE TB-2149.
 - ⑦ SEE DOCUMENT 190-0002-000 FOR TOOLING KEEPOUT ZONES.



TOLERANCES	DESIGN	05/27/11 A.ASTBURY	Amphenol TCS A Division of Amphenol Corporation 200 Innovative Way, Nashua, NH 03082 803.879.3000	TITLE	OPEN BACKPLANE MODULE 4 PAIR XCede L-SERIES	PART NO.	SEE TABLE 1	REV	N/A	
0.0	±0.25	DRAWN		05/27/11 HCL-RK	DRAWING NO.	C-951-401A-500	REV	E		
0.00	±0.13	CHK		05/27/11 A.ASTBURY	ASSEM P1149-CU-BP-SHRD-OPEN	1.2				
0.000	± -	APVD		05/27/11 A.ASTBURY	DRAWING C951-401A-500	C.4				
UNLESS OTHERWISE SPECIFIED DIMENSIONS ARE IN MM. DECIMAL MARKER IS A PERIOD.			CUSTOMER USE DRAWING		SIZE	D	SCALE	2/1	SHEET	1 OF 2

