

ZONE	REV	SCR NUMBER	DESCRIPTION	BY	DATE	APPROVED
ALL	A	AASY-8CCQTD.VER02	NEW RELEASE	HCL-SM	12/27/2010	D.SMITH

TABLE 1

XCede BACKPLANE POWER CONNECTOR ASSEMBLY PART NUMBER ASSIGNMENT

958 - 6 X X 1 - A 1 X

XCede POWER MODULE LEAD OFF

6 = 6 PAIR

WIPE LENGTH/CUSTOM OPTIONS:
 1 = 4.5 mm ALL POSITIONS
 2 = 6.0 mm ALL POSITIONS
 3 = 7.5 mm ALL POSITIONS
 N = LEADFREE CUSTOM LOADED, ADVANCED PLATING
 L = CUSTOM LOADED, ADVANCED PLATING
 7 = LEADFREE CUSTOM LOADED
 8 = CUSTOM LOADED

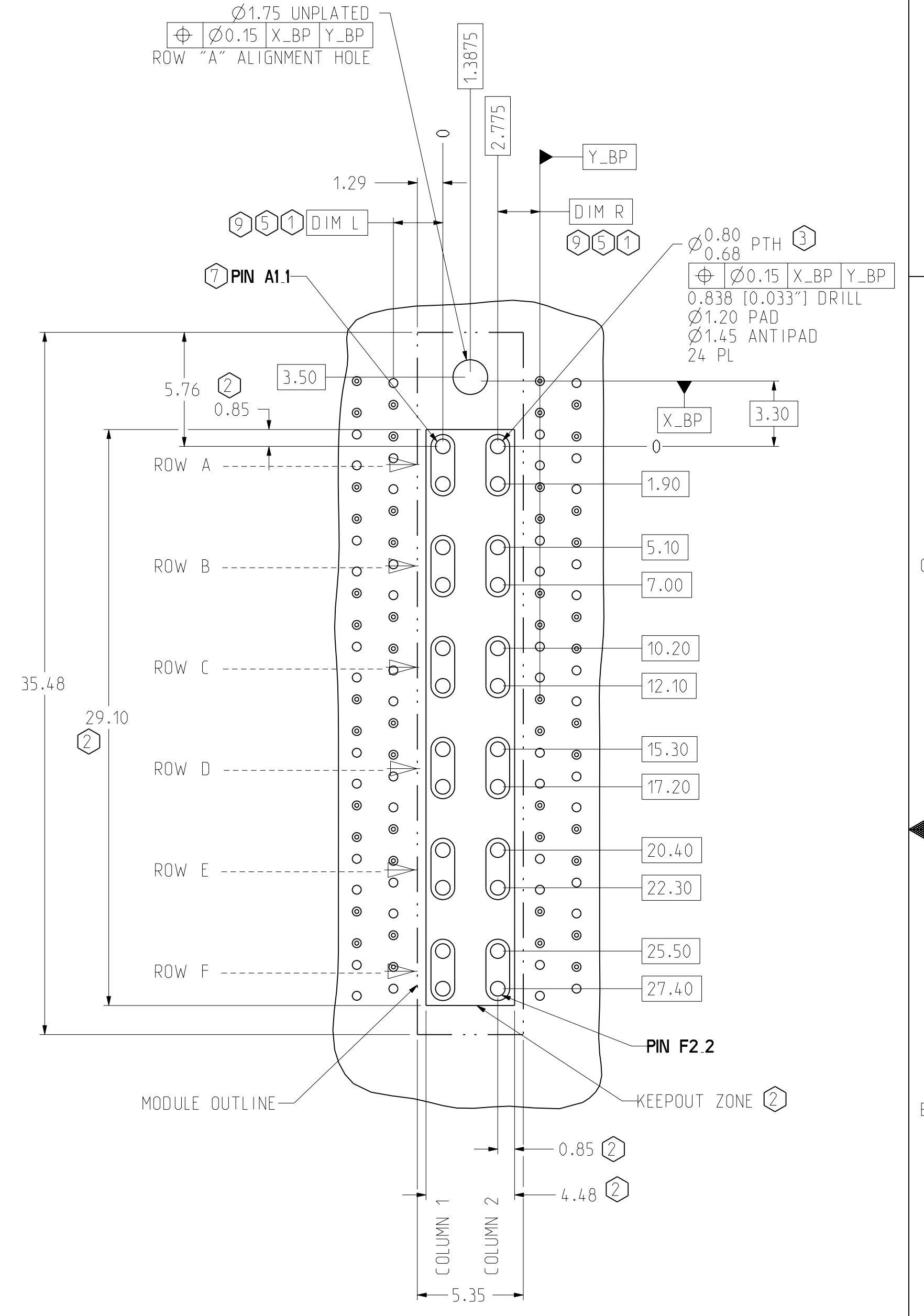
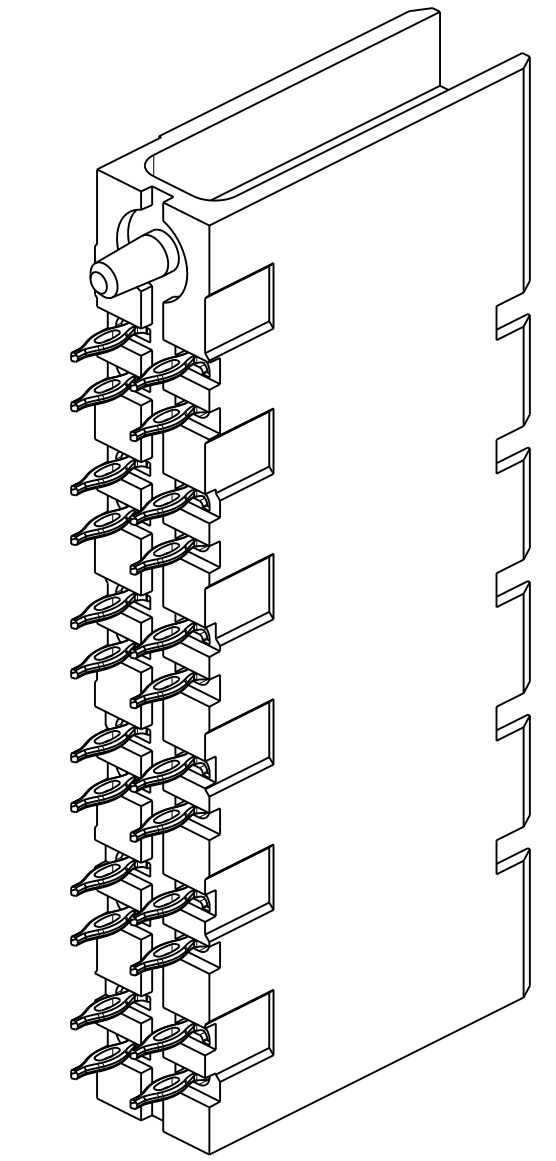
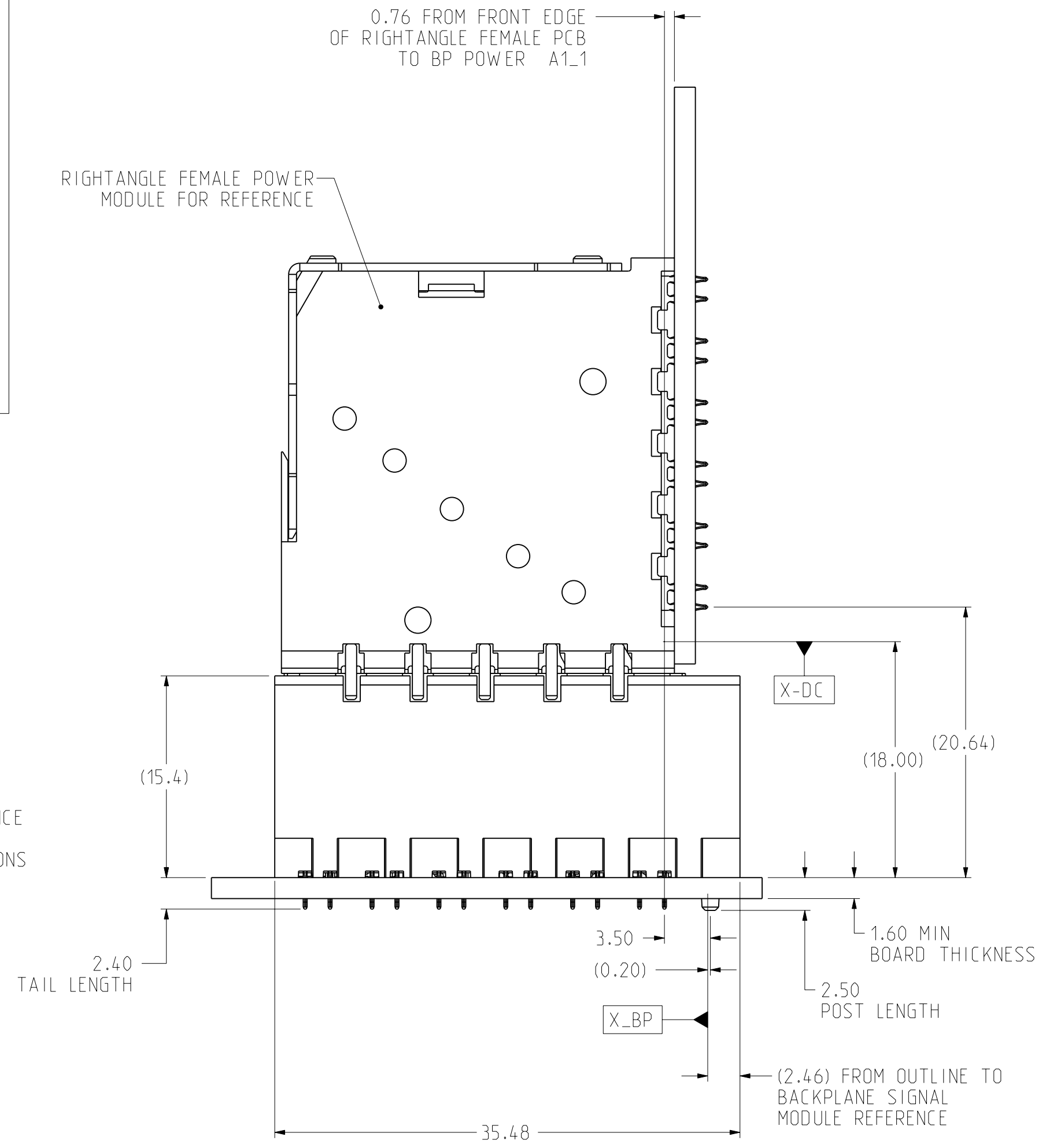
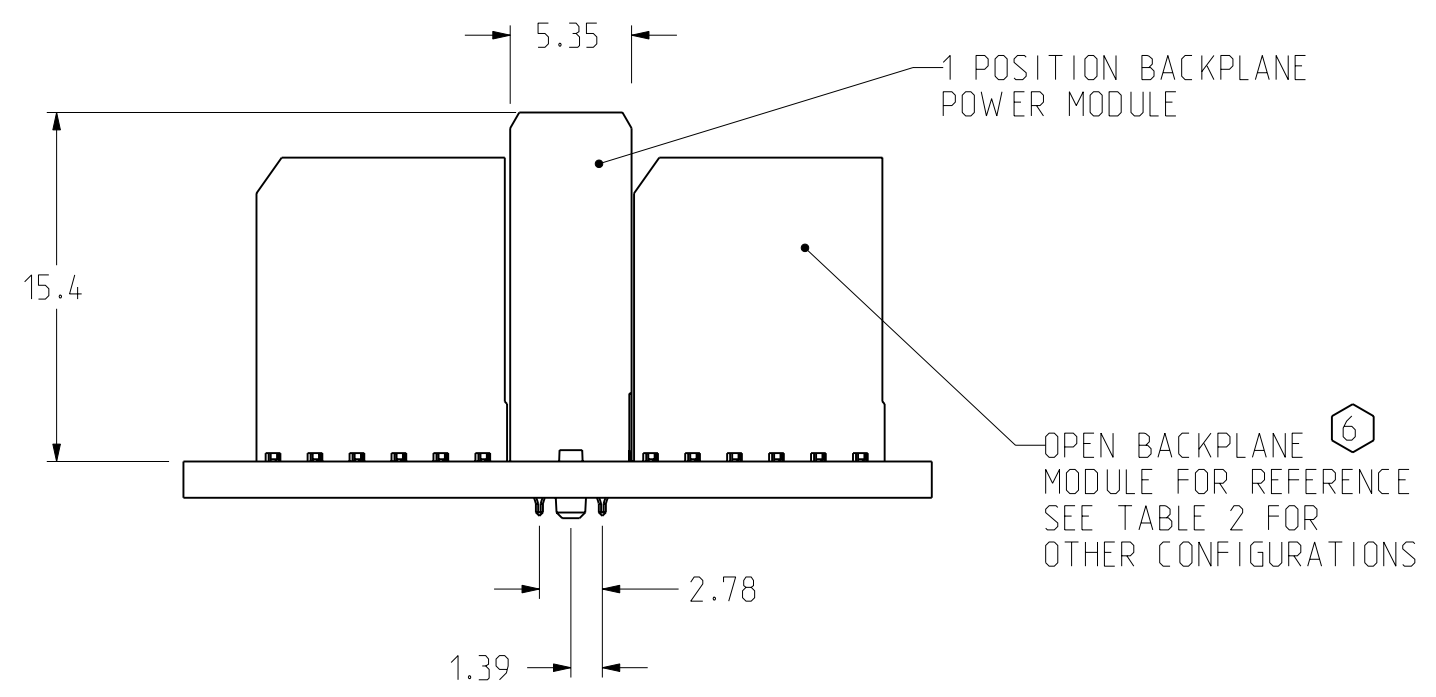
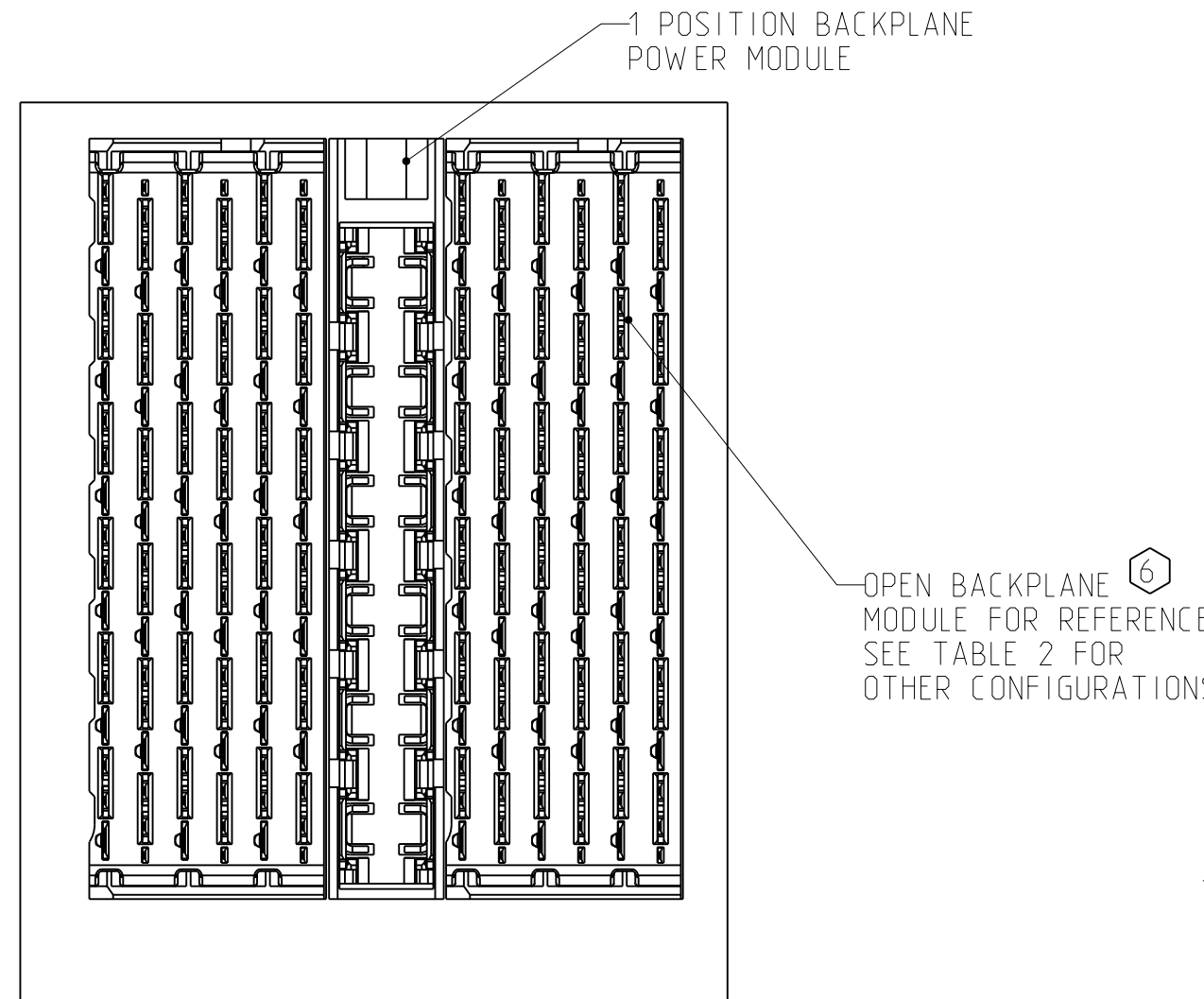
PLATING:
 B = Ni SULFAMATE, STANDARD GOLD, LEADED
 C = Ni SULFAMATE, HIGH GOLD, LEADED
 D = Ni SULFAMATE, STANDARD GOLD, LEADFREE
 E = Ni SULFAMATE, HIGH GOLD, LEADFREE
 F = NANO Ni, STANDARD GOLD, LEADED
 G = NANO Ni, HIGH GOLD, LEADED
 H = NANO Ni, STANDARD GOLD, LEADFREE
 J = NANO Ni, HIGH GOLD, LEADFREE

OF POSITIONS:
 0 = 1 POSITION
 1 = 2 POSITION
 2 = 3 POSITION

1 = LESS 1MM HEIGHT

TABLE 2

CONFIGURATION	DIM L	DIM R
OPEN	2.4975	2.1275
LEFT POLARIZED	2.4975	9.5275
RIGHT POLARIZED	9.8975	2.1275
LEFT WALL	2.4975	3.9775
RIGHT WALL	4.3475	2.1275
TWO WALL	4.3475	3.9775



RECOMMENDED BACKPLANE POWER 1 POSITION HOLE PATTERN
SCALE 5/1

- NOTES
- FOR EACH ADDITIONAL POWER MODULE, ADD 5.55mm FOR 1 POSITION MODULES.
 - NO SURFACE TRACES IN KEEP OUT ZONE.
 - STATED PAD SIZE MAY REQUIRE FILLETING. SEE TB-2149 FOR ROUTING GUIDELINES.
 - REFER TO TB-2150 FOR XCede PRODUCT SPECIFICATIONS.
 - WHEN USING ENDCAPS BETWEEN SIGNAL WAFERS AND DC POWER MODULES ADD 1.85mm FOR EACH ENDCAP. VIEW SHOWN WITHOUT ENDCAPS. FOR ENDCAPS THAT ARE USED BETWEEN DC POWER MODULES, ADD 1.85mm FOR EACH ENDCAP.
 - REFER TO BP CUSTOMER USE DRAWINGS FOR ROW AND COLUMN ASSIGNMENTS.
 - BLADE POSITION A# CONTAINS PINS A#_1 AND A#_2.
 - IF THE 5TH DIGIT OF THE PART NUMBER IS N, L, 7 OR 8, INDICATING A CUSTOM PART NUMBER, DIGITS 6 THROUGH 10 ARE NOT SIGNIFICANT, AND DO NOT FOLLOW THE PARADIGM IN THIS TABLE.
 - SEE TABLE 2 FOR OFFSET DIMENSION FOR ADJACENT SIGNAL COLUMN OF ALL CONFIGURATIONS.
 - FOR 7.5MM WIPE LENGTH, PLASTIC WALL ABOVE PIN HEIGHT NOT SUFFICIENT TO PROTECT THE PIN FROM TOUCHING THE ARTICULATED FINGER PROBE AS DESCRIBED IN UL 1977, FIGURE 10.1.

TOLERANCES	DESIGN 08/09/2010 A.ASTBURY	Amphenol TCS A Division of Amphenol Corporation 200 Innovative Way, Nashua, NH 03082 603.878.3000	TITLE	BACKPLANE POWER ASSEMBLY	REV	N/A
0.0 ±0.25	DRAWN 08/09/2010 HCL-GM		PART NO.	SEE TABLE 1	REV	A
0.00 ±0.13	CHK 08/09/2010 A.ASTBURY		DRAWING NO.	C958-6901-500	SCALE	4/1
0.000 ± -	APVD 08/09/2010 D.SMITH		ASSEMBLY	ASSEM Q1128-AR-6PR-BP-POWER-1UP-1MM	SIZE	D
ANGLES ± -	UNLESS OTHERWISE SPECIFIED DIMENSIONS ARE IN MM. DECIMAL MARKER IS A PERIOD.		DRAWING	DRAWING	SCALE	4/1
						SHEET 1 OF 1

INTERPRET PER ASME Y14.5M
CODE IDENT 31413

CUSTOMER USE DRAWING

DRW NO. C958-6901-500

SH 1 REV A