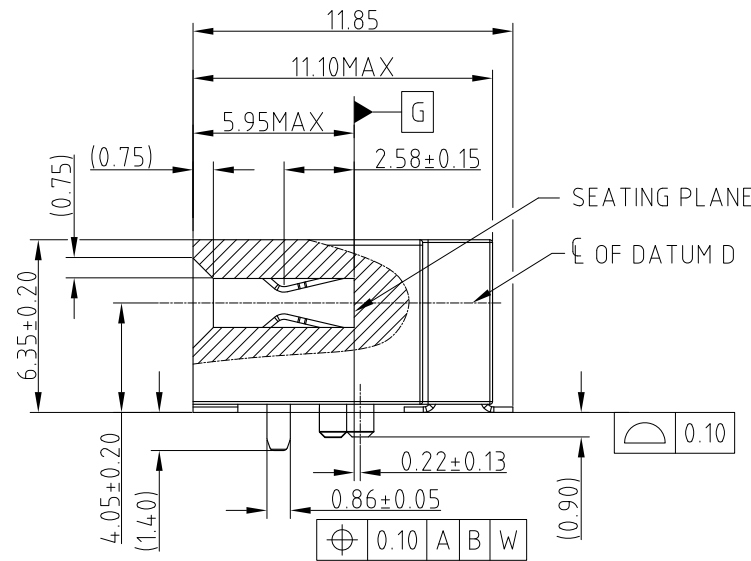
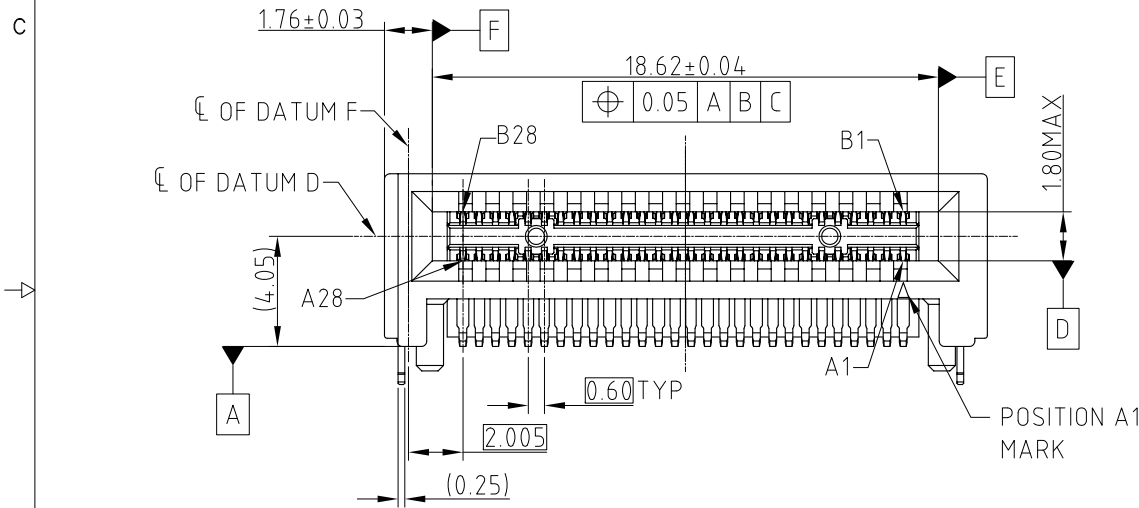
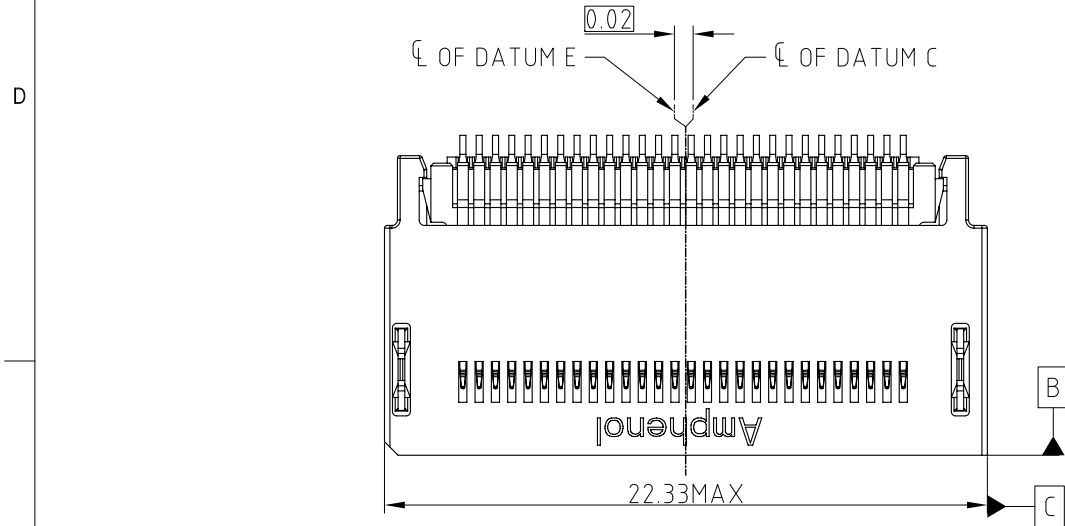


This document is the property of Amphenol Corporation and is delivered on the express condition that it is not to be disclosed, reproduced or used, in whole or in part, for manufacture or sale by anyone other than Amphenol Corporation without its prior consent, & that no right is granted to disclose or to use any information in this document.

# CUSTOMER DRAWING

## REVISIONS

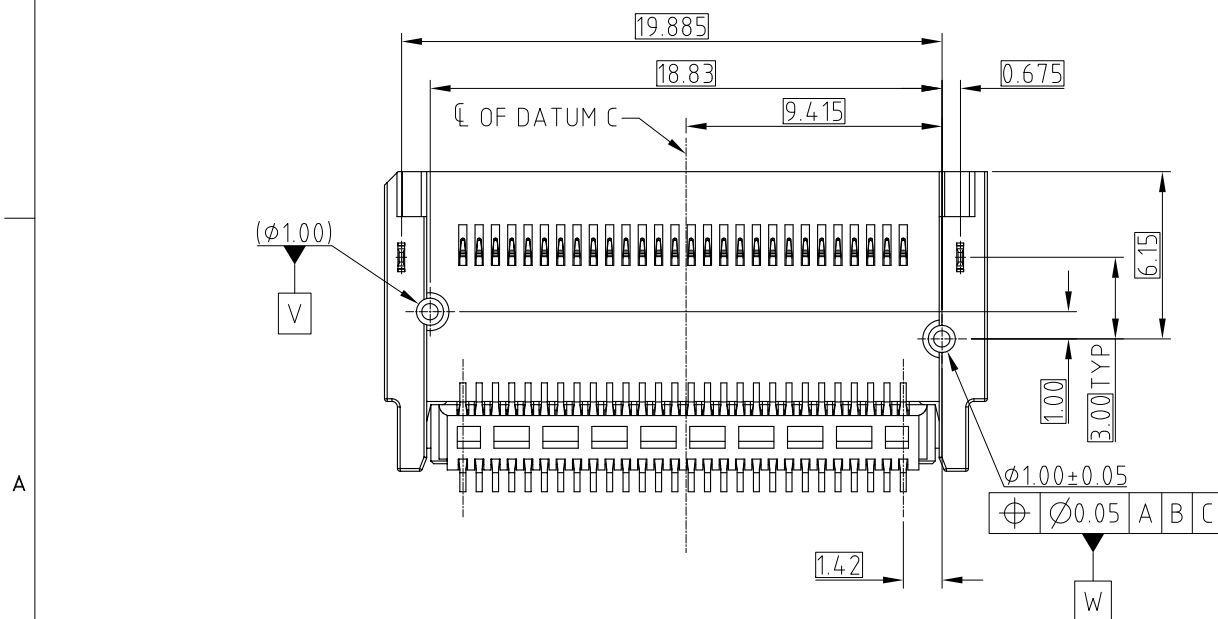
SYM	ECN	DESCRIPTION	DATE	APPROVED
1	CDXXXX	PRELIMINARY PROPOSAL(FOLLOW SFF TA1002 V1.1)	Feb.05,2018	YH
2	CDXXXX	ADD AIC MATING CARD SPECIFICATION	May.28,2018	YH
3	CDXXXX	REVISE THE BOARD LOCK LENGTH	Jul.04,2018	YH
4	CDXXXX	REVISE THE PCB	Aug.16,2018	YH
5	CDXXXX	ADD DIMENSION ON PCB LAYOUT	Aug.21,2018	YH
6	CDXXXX	UPDATED BY SFF TA 1002 REV 1.1.2	Oct.12,2018	YH
7	CD1489	UPDATED BY SFF TA 1002 REV 1.1.3	Nov.08,2018	YH
8	CD1763	ADD PACKING	Jul.14,2019	YH



**NOTE:**

- MATERIAL:**  
HOUSING: HIGH TEMPERATURE THERMOPLASTIC BLACK UL94-V0  
CONTACT: COPPER ALLOY  
BOARD LOCK: COPPER ALLOY
- PLATING:**  
CONTACT: MATING AREA: Au THICKNESS PLEASE REFER TO PN SYSTEM,  
1.27-2.54 μm NICKEL UNDERPLATED  
SOLDER AREA: 1.27 μm MIN TIN OVER 1.27-2.54 μm NICKEL UNDERPLATED  
BOARD LOCK: 1.27 MIN TIN OVER 1.27-2.54UM NICKEL UNDERPLATED
- ELECTRICAL PERFORMANCE:**  
RATED CURRENT: 1.1A/PIN UP TO 12PINS  
LLCR:30mΩ MAX, DELTA 15 mΩ.  
INSULATION RESISTANCE: 1000MΩ MIN
- DURABILITY:**200 CYCLES.
- MATERIAL SHOULD BE FULFILLED AMPHENOL SPEC# S-SN-002 AND S-SN-004**
- ORDERING PN SYSTEM : ME100561020103X**

- PLATING SPEC
- 0.76um Au
  - 0.38um Au
  - GOLD FLASH
  - PdNi0.76um+GF



UNLESS OTHERWISE SPECIFIED TOLERANCES	
U.S.	METRIC
.X +/-	0.25
.XX +/-	0.20
.XXX +/-	0.15
FRACTIONS +/-	5°
ANGLES +/-	

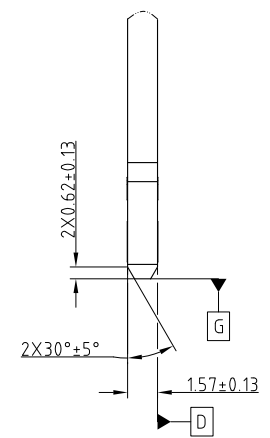
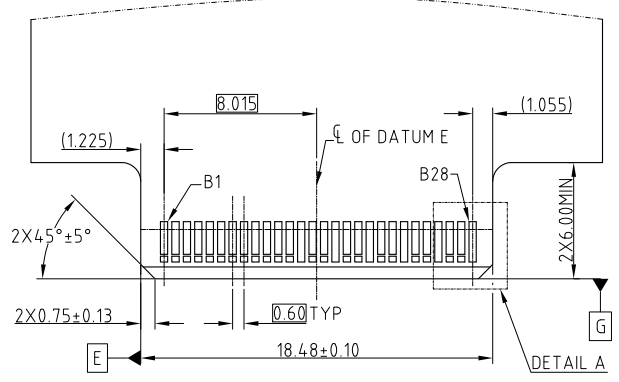
APPROVAL		DATE
DRAWN	Teng.Cao	Jul.14,2019
CHECKED	Ly.Yi	Jul.14,2019
APPROVED		
DRAWING FILE :		
INTERNAL\DRAWING\ME\C ME100561020103X		
REMOVE SHARP EDGES		
ANGLE OF PROJECTION		
DIMENSIONS		
—U.S.—	INCHES	
(METRIC)	(mm)	

<b>Amphenol</b>		
TITLE <b>MINI COOL EDGE CONNECTOR 56P R/A 0.6MM PITCH 4.05</b>		
SIZE	DRAWING NO.	REV.
<b>A3</b>	<b>C ME100561020103X</b>	<b>8</b>
SCALE	NONE	SHEET 1 OF 3

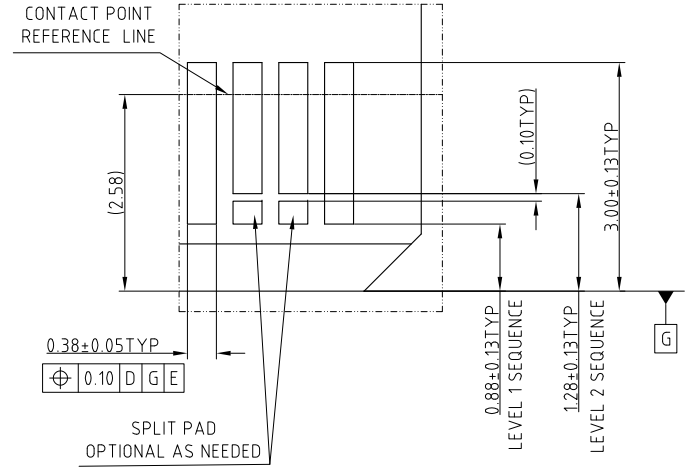
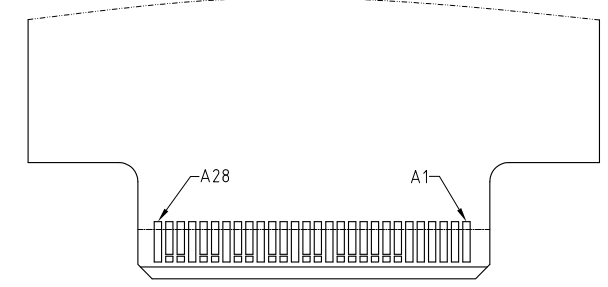
This document is the property of Amphenol Corporation and is delivered on the express condition that it is not to be disclosed, reproduced or used, in whole or in part, for manufacture or sale by anyone other than Amphenol Corporation without its prior consent, & that no right is granted to disclose or to use any information in this document.

CUSTOMER DRAWING

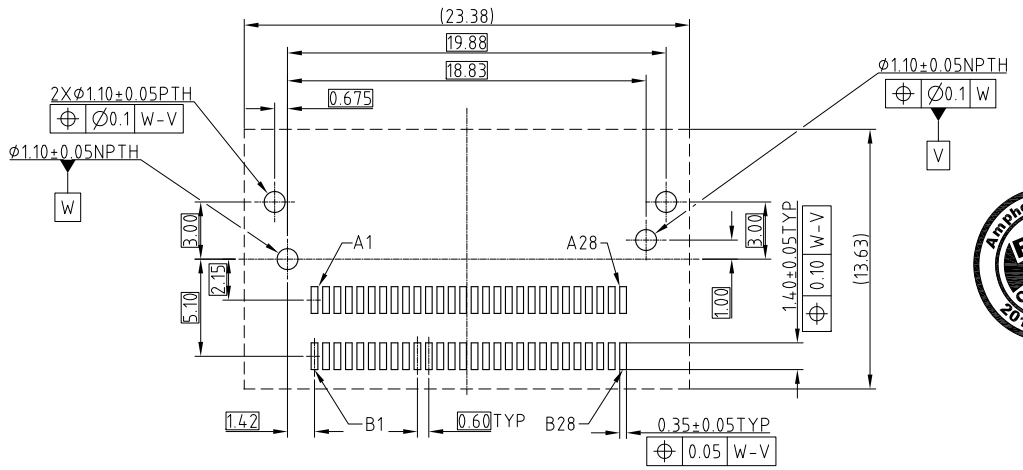
1 REVISIONS				
SYM	ECN	DESCRIPTION	DATE	APPROVED
		SEE SHEET 1		



RECOMMENDED AIC MATING CARD



DETAIL A  
SCALE 4:1



RECOMMENDED FOOTPRINT

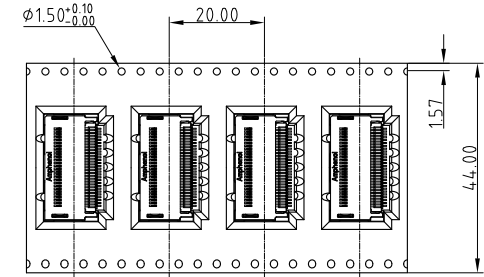
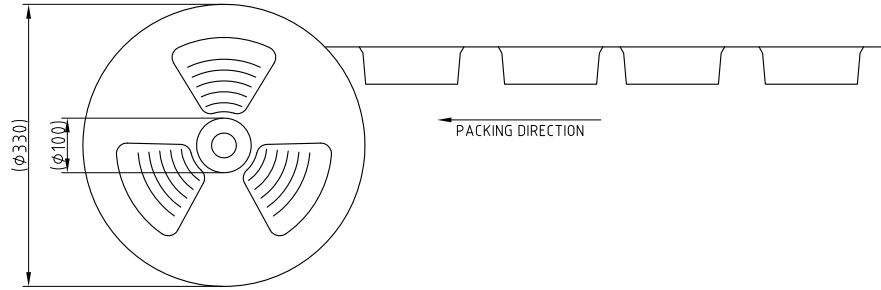


UNLESS OTHERWISE SPECIFIED TOLERANCES U.S. METRIC X +/- 0.25 XX +/- 0.20 .XXX +/- 0.15 FRACTIONS +/- ANGLES +/- 5° FOR MATERIALS AND FINISHES SEE NOTES REMOVE SHARP EDGES DIMENSIONS U.S. INCHES (METRIC) (mm)	APPROVAL	DATE	<b>Amphenol</b>  TITLE <b>MINI COOL EDGE CONNECTOR</b> <b>56P R/A 0.6MM PITCH 4.05</b>  SIZE DRAWING NO. REV. <b>A3 C ME100561020103X 8</b>  SCALE NONE SHEET 2 OF 3	
	DRAWN Teng.Cao	Jul.14,2019		
	CHECKED Ly.Yi	Jul.14,2019		
	APPROVED			
	DRAWING FILE :			
	INTERNAL_DRAWING\MEX\C ME100561020103X			
	ANGLE OF PROJECTION			

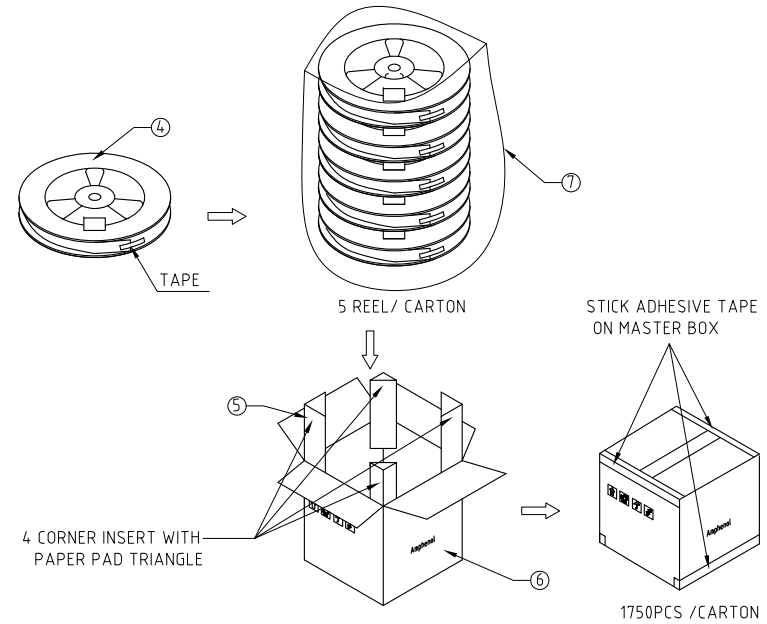
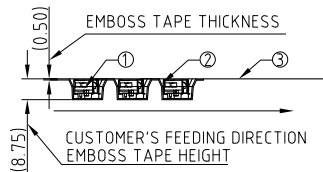
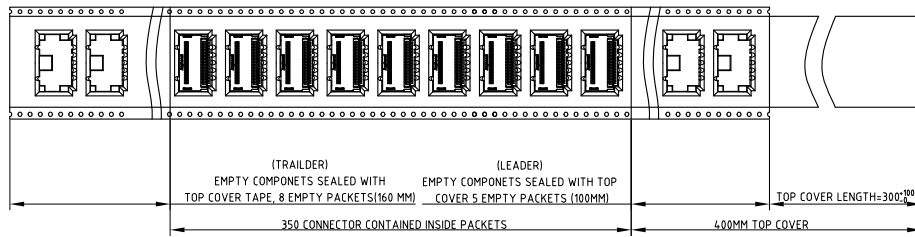
This document is the property of Amphenol Corporation and is delivered on the express condition that it is not to be disclosed, reproduced or used, in whole or in part, for manufacture or sale by anyone other than Amphenol Corporation without its prior consent, & that no right is granted to disclose or to use any information in this document.

# CUSTOMER DRAWING

1 REVISIONS				
SYM	ECN	DESCRIPTION	DATE	APPROVED
SEE SHEET 1				



CUSTOMER'S FEEDING DIRECTION



THIS PAGE FOR REFERENCE ONLY

7	PLASTIC BAG	
6	PAPER PAD TRIANGLE	CORRUGATED FIBERBOARD
5	MASTER BOX	CORRUGATED FIBERBOARD
4	PP REEL	PP
3	TOP COVER TAPE	PET
2	EMBOSS TAPE	POLYSTYRENE
1	Connector	
ITEM	DESCRIPTION	MATERIAL



UNLESS OTHERWISE SPECIFIED TOLERANCES		APPROVAL	DATE	Amphenol		
	U.S.	DRAWN	Teng.Cao			Jul.14,2019
	METRIC	CHECKED	Ly.Yi			Jul.14,2019
		APPROVED				
FOR MATERIALS AND FINISHES SEE NOTES		DRAWING FILE :		TITLE		
REMOVE SHARP EDGES		INTERNAL_DRAWING\MEX\C ME100561020103X		MINI COOL EDGE CONNECTOR		
DIMENSIONS		ANGLE OF PROJECTION		56P R/A 0.6MM PITCH 4.05		
—U.S.—	INCHES			SIZE	DRAWING NO.	
(METRIC)	(mm)			A3	C ME100561020103X	REV.
		SCALE	NONE	SHEET 3 OF 3		