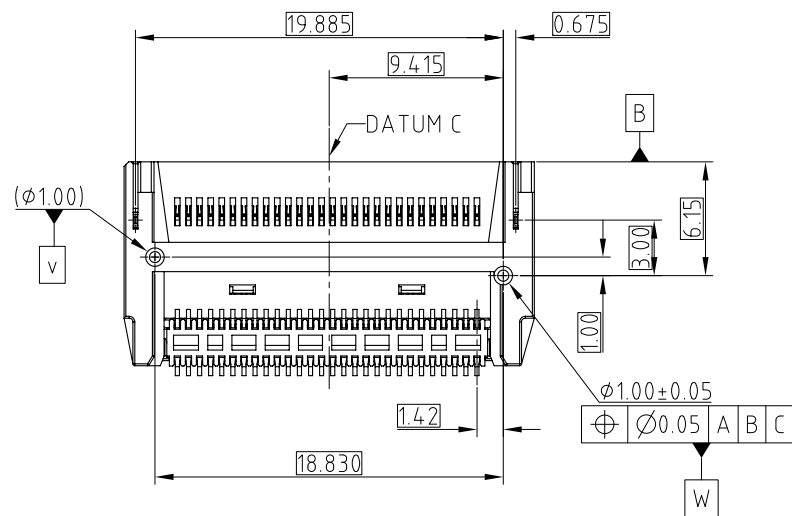
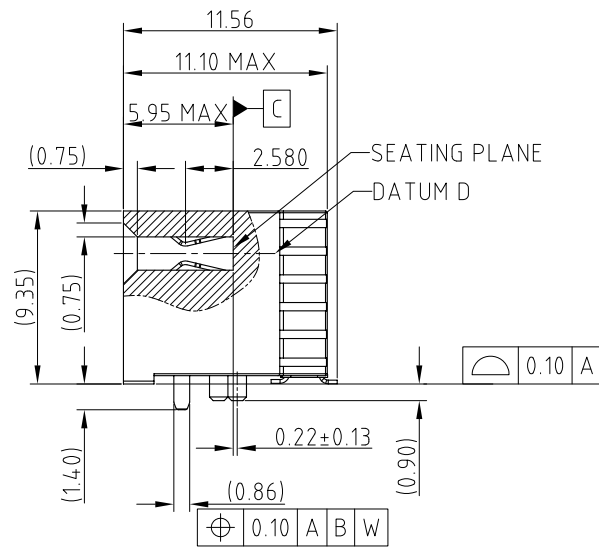
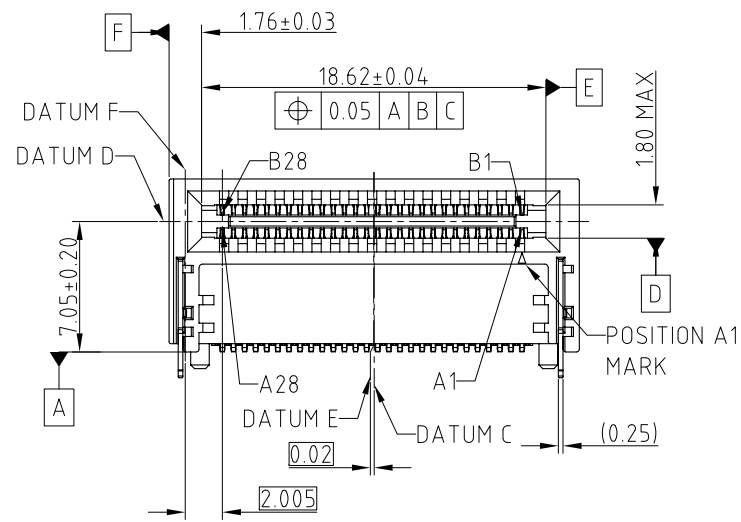
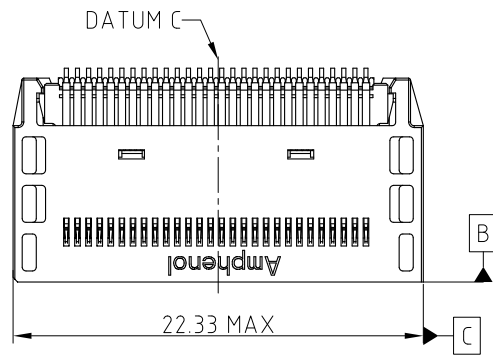


This document is the property of Amphenol Corporation and is delivered on the express condition that it is not to be disclosed, reproduced or used, in whole or in part, for manufacture or sale by anyone other than Amphenol Corporation without its prior consent, & that no right is granted to disclose or to use any information in this document.

# CUSTOMER DRAWING

REVISIONS				
SYM	ECN	DESCRIPTION	DATE	APPROVED
1	CDXXXX	PROPOSAL	Nov.20,2020	YH



NOTE:

- MATERIAL:  
HOUSING: HIGH TEMPERATURE THERMOPLASTIC, BLACK, UL94-V0  
CONTACT: COPPER ALLOY  
BOARDLOCK: COPPER ALLOY
- FINISHED:  
CONTACT: MATING AREA: Au THICKNESS PLEASE REFER TO P/N SYSTEM  
OVER 1.27-2.54 um NICKEL UNDERPLATED  
SOLDER AREA: 1.27 um MIN TIN OVER 1.27-2.54 um NICKEL UNDERPLATED  
BOARDLOCK: 1.27 um MIN TIN OVER 1.27-2.54 um NICKEL UNDERPLATED
- ELECTRICAL PERFORMANCE:  
RATED CURRENT: 1.1A/PIN UP TO 12PINS  
LLCR: DELTA 15mΩ MAX  
INSULATION RESISTANCE: 1000MΩ MIN
- DURABILITY: 200 CYCLES.
- MATERIAL SHOULD BE FULFILLED AMPHENOL SPEC# S-SN-002 AND S-SN-004.
- ORDERING PART NUMBER REFER TO BELOW PART NUMBER LIST TABLE

ME1005610211085	0.38um GXT
ME1005610211084	0.76um GXT
ME1005610211083	GOLD FLASH
ME1005610211082	0.38um Au
ME1005610211081	0.76um Au
PART NUMBER	PLATING



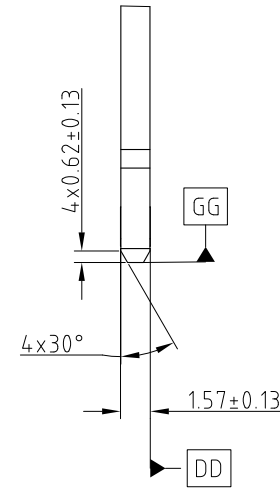
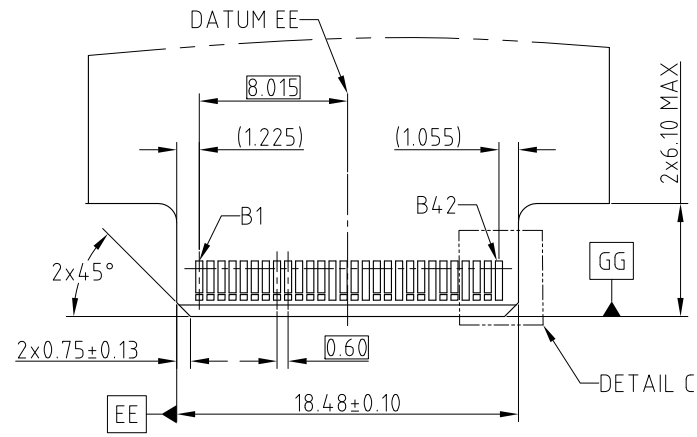
UNLESS OTHERWISE SPECIFIED TOLERANCES		APPROVAL	DATE
	U.S. METRIC	DRAWN Johnny	Nov.20,2020
.X +/-	0.50	CHECKED Ly.yi	Nov.20,2020
.XX +/-	0.25	APPROVED	
.XXX +/-	0.15	DRAWING FILE :	
FRACTIONS +/-	5°	INTERNAL\DRAWING\CE\C ME100561021108X	
ANGLES +/-	SEE NOTES	REMOVE SHARP EDGES	
DIMENSIONS		ANGLE OF PROJECTION	
U.S. INCHES	(METRIC) (MM)		

<b>Amphenol</b>		
TITLE		
MINI COOL EDGE CONNECTOR 56PIN R/A 0.6mm PITCH 7.05		
SIZE	DRAWING NO.	REV.
A3	C ME100561021108X	1
SCALE	NONE	SHEET 1 OF 3

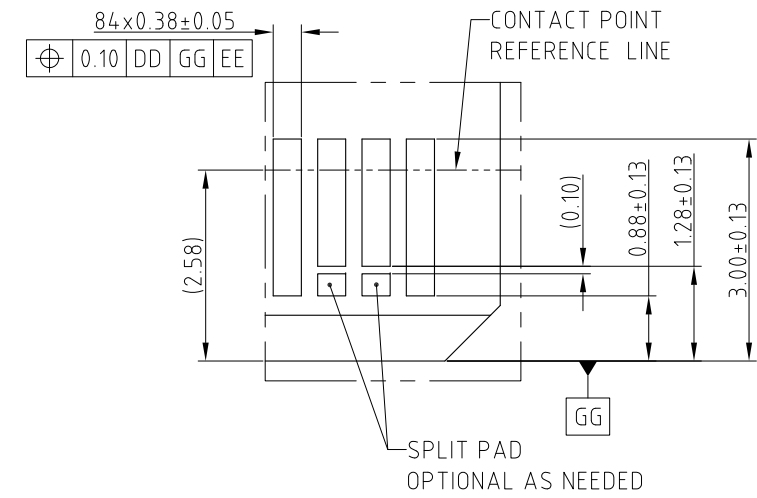
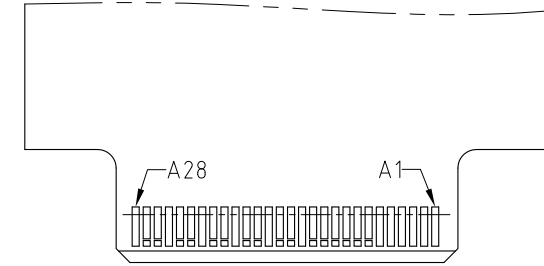
This document is the property of Amphenol Corporation and is delivered on the express condition that it is not to be disclosed, reproduced or used, in whole or in part, for manufacture or sale by anyone other than Amphenol Corporation without its prior consent, & that no right is granted to disclose or to use any information in this document.

CUSTOMER DRAWING

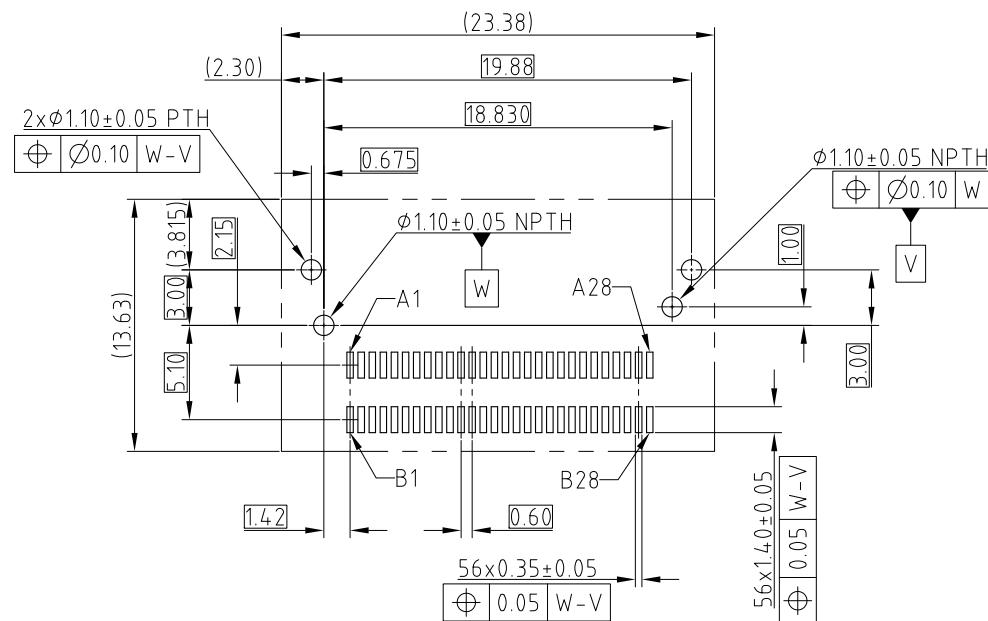
REVISIONS				
SYM	ECN	DESCRIPTION	DATE	APPROVED
		SEE SHEET 1		



RECOMMENDED AIC MATING CARD



DETAIL C  
SCALE 4:1



RECOMMENDED FOOTPRINT



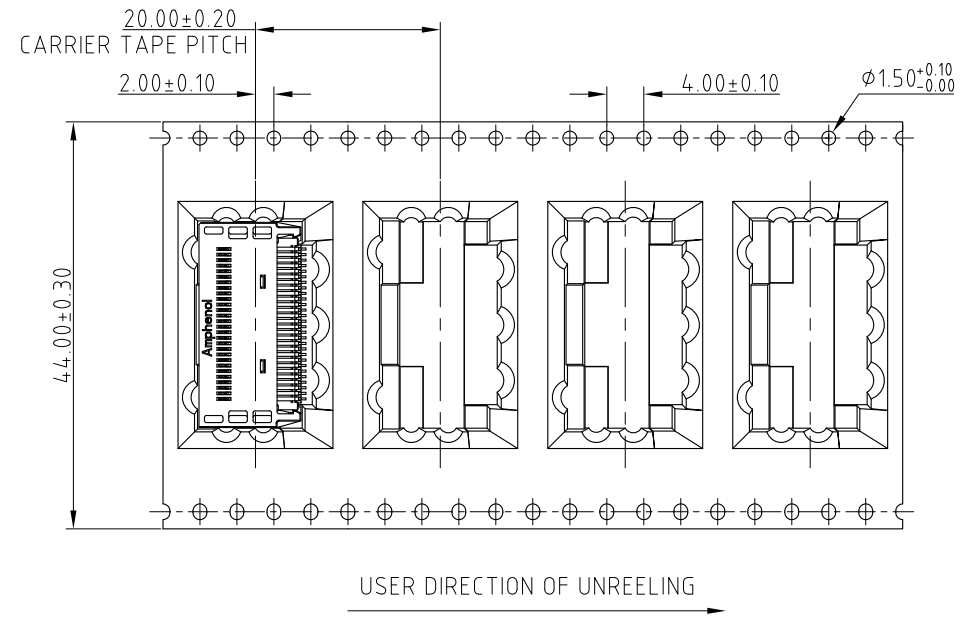
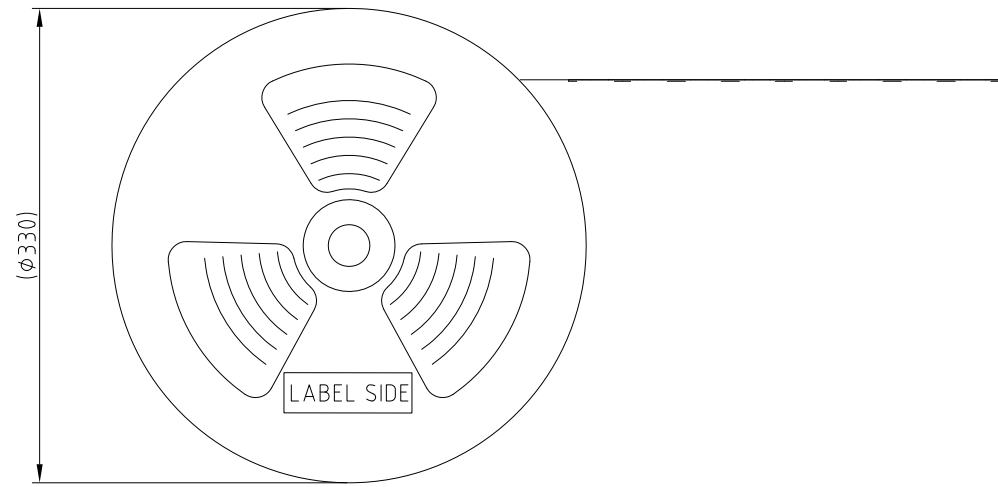
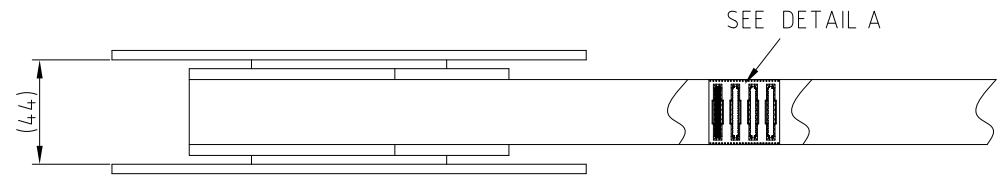
UNLESS OTHERWISE SPECIFIED TOLERANCES U.S. METRIC .X +/- .XX +/- .XXX +/- FRACTIONS +/- ANGLES +/- FOR MATERIALS AND FINISHES SEE NOTES REMOVE SHARP EDGES DIMENSIONS U.S. INCHES (METRIC) (MM)	APPROVAL	DATE
	DRAWN Johnny	Nov.20,2020
	CHECKED Ly.yi	Nov.20,2020
	APPROVED	
	DRAWING FILE : INTERNAL\DRAWING\CEC ME100561021108X	
	ANGLE OF PROJECTION 	

Amphenol		
TITLE MINI COOL EDGE CONNECTOR 56PIN R/A 0.6mm PITCH 7.05		
SIZE A3	DRAWING NO. C ME100561021108X	REV. 1
SCALE NONE	SHEET 2 OF 3	

This document is the property of Amphenol Corporation and is delivered on the express condition that it is not to be disclosed, reproduced or used, in whole or in part, for manufacture or sale by anyone other than Amphenol Corporation without its prior consent, & that no right is granted to disclose or to use any information in this document.

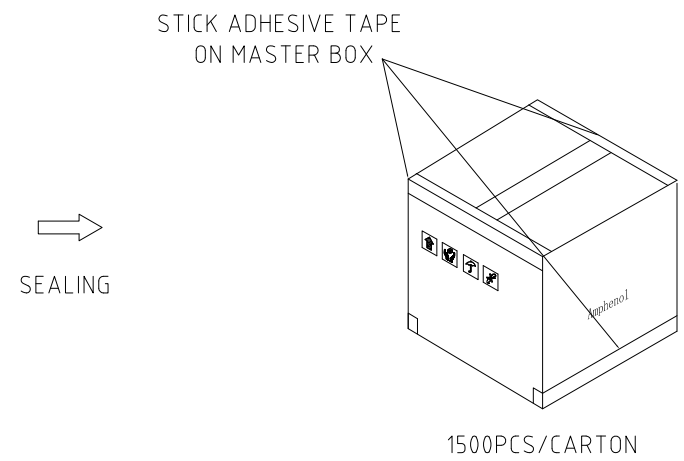
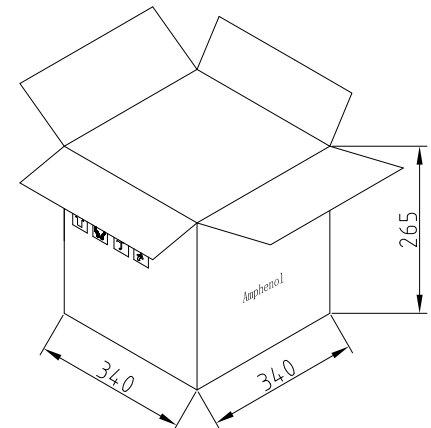
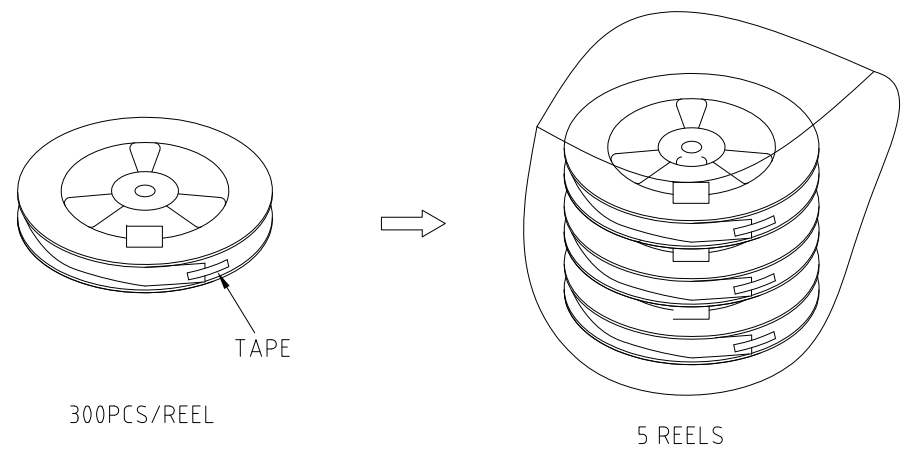
# CUSTOMER DRAWING

REVISIONS				
SYM	ECN	DESCRIPTION	DATE	APPROVED
		SEE SHEET 1		



USER DIRECTION OF UNREELING →

USER DIRECTION OF UNREELING →



UNLESS OTHERWISE SPECIFIED TOLERANCES		APPROVAL	DATE
.X	+/-	DRAWN Johnny	Nov.20,2020
.XX	+/-	CHECKED Ly.yi	Nov.20,2020
.XXX	+/-	APPROVED	
FRACTIONS	+/-	DRAWING FILE : INTERNAL\DRAWING\CE\C ME100561021108X	
ANGLES	+/-	ANGLE OF PROJECTION	
FOR MATERIALS AND FINISHES SEE NOTES			
REMOVE SHARP EDGES			
DIMENSIONS			
— U.S. —	INCHES		
(METRIC)	(MM)		



Amphenol		
TITLE		
MINI COOL EDGE CONNECTOR		
56PIN R/A 0.6mm PITCH 7.05		
SIZE	DRAWING NO.	REV.
A3	C ME100561021108X	1
SCALE	NONE	SHEET 3 OF 3