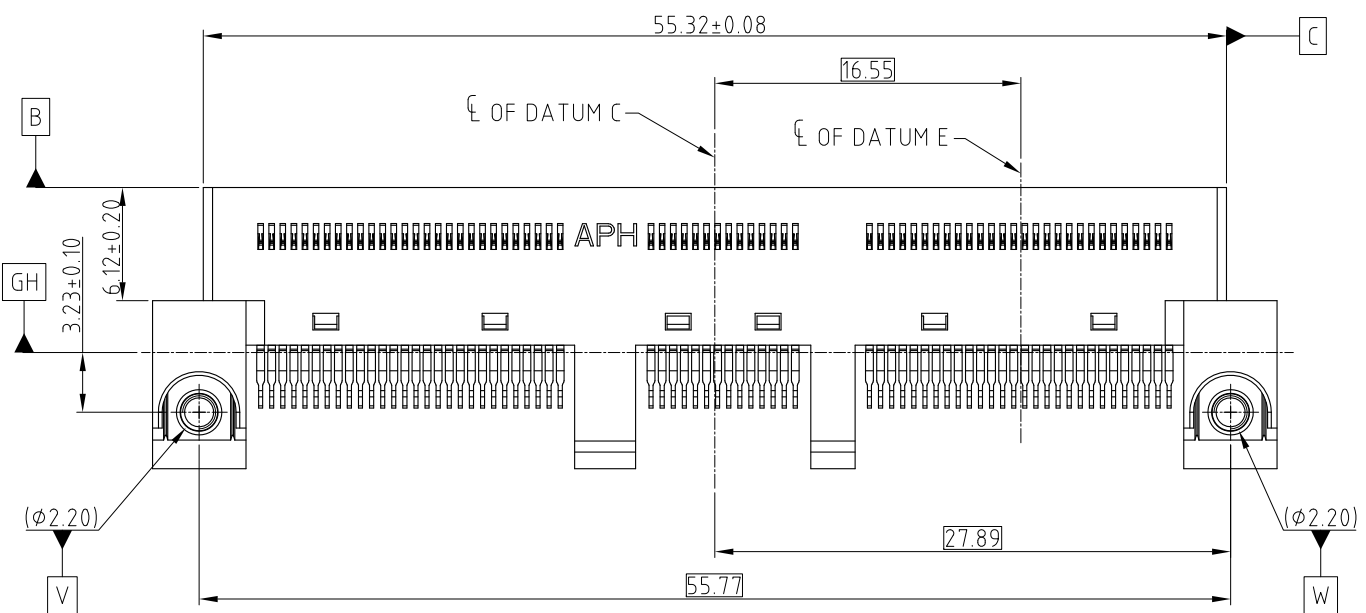
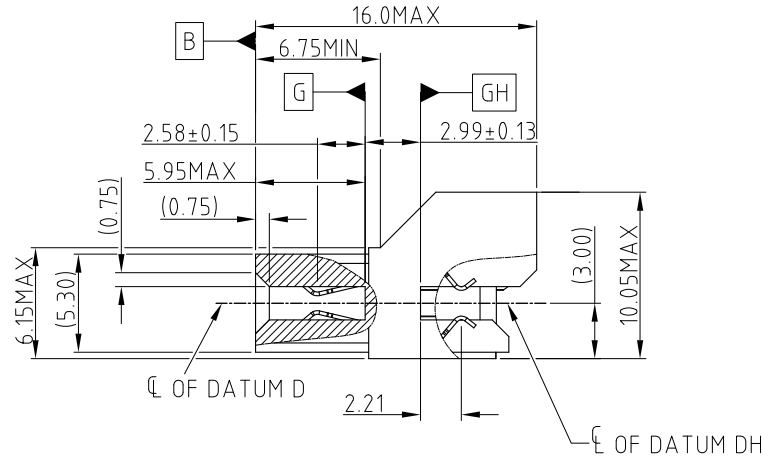
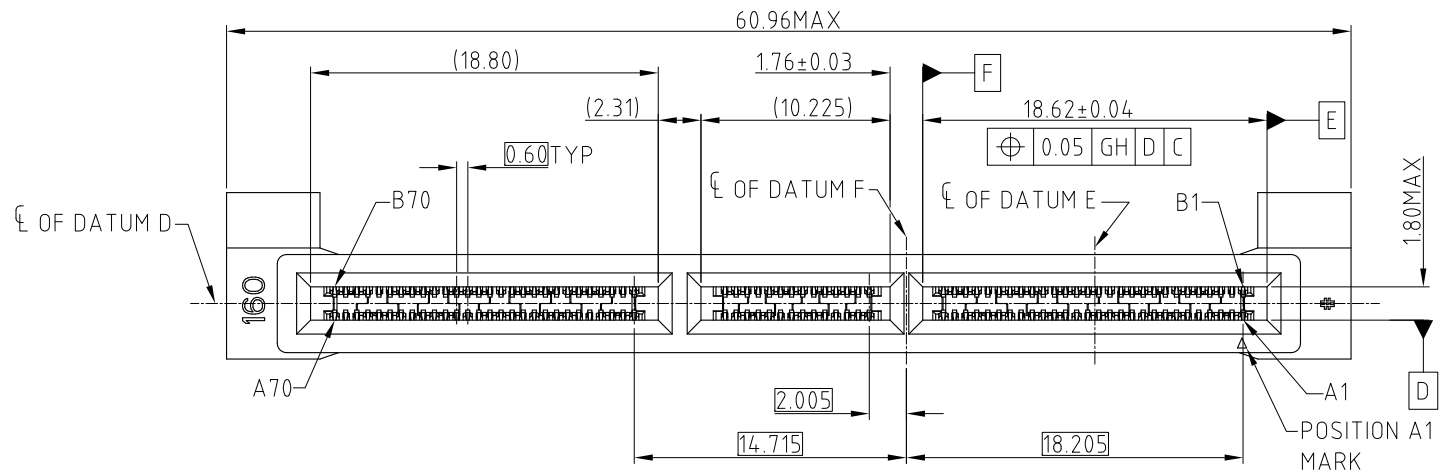


This document is the property of Amphenol Corporation and is delivered on the express condition that it is not to be disclosed, reproduced or used, in whole or in part, for manufacture or sale by anyone other than Amphenol Corporation without its prior consent, & that no right is granted to disclose or to use any information in this document.

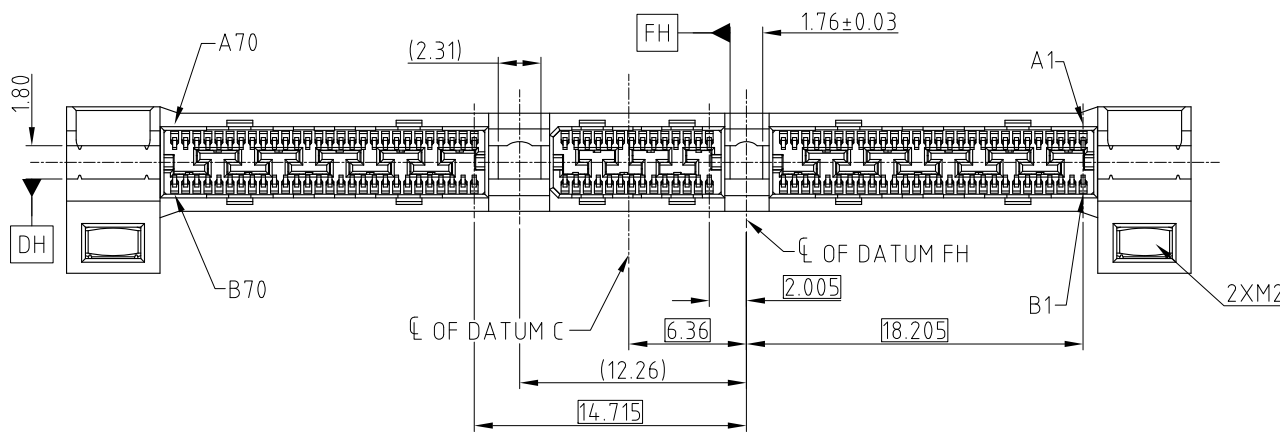
CUSTOMER DRAWING

REVISIONS				
SYM	ECN	DESCRIPTION	DATE	APPROVED
1	CDXXXX	PRELIMINARY PROPOSAL	Aug.17,2018	YH
2	CD1555	UPDATED BY SFF TA 1002 REV 1.1.3	Nov.08,2018	YH
3	CD1817	CHANGE NUT FROM STANDARD TO RECTANGLE AND ADD PACKING	Jul.11,2019	YH
4	CD1856	STANDARDIZE THE WAFER CONSTRUCTURE	Sep.24,2019	YH



- NOTE:
- MATERIAL:
HOUSING: HIGH TEMPERATURE THERMOPLASTIC BLACK UL94-V0
CONTACT: COPPER ALLOY
NUT: STAINLESS STEEL
 - PLATING:
CONTACT: MATING AREA: Au THICKNESS PLEASE REFER TO P/N SYSTEM
OVER 1.27-2.54 μm NICKEL UNDERPLATED
SOLDER AREA: 1.27 μm MIN TIN OVER 1.27-2.54 μm NICKEL UNDERPLATED
 - ELECTRICAL PERFORMANCE:
RATED CURRENT: 1.1A/PIN UP TO 12PINS
LLCR: 30mΩ MAX, DELTA 15 mΩ.
INSULATION RESISTANCE: 1000MΩ MIN
 - DURABILITY: 200 CYCLES.
 - MATERIAL SHOULD BE FULFILLED AMPHENOL SPEC# S-SN-002 AND S-SN-004
 - ORDERING PN SYSTEM : ME101401340110X

- PLATING SPEC
- 0.76um Au
 - 0.38um Au
 - GOLD FLASH
 - PdNi 0.76um+G/F

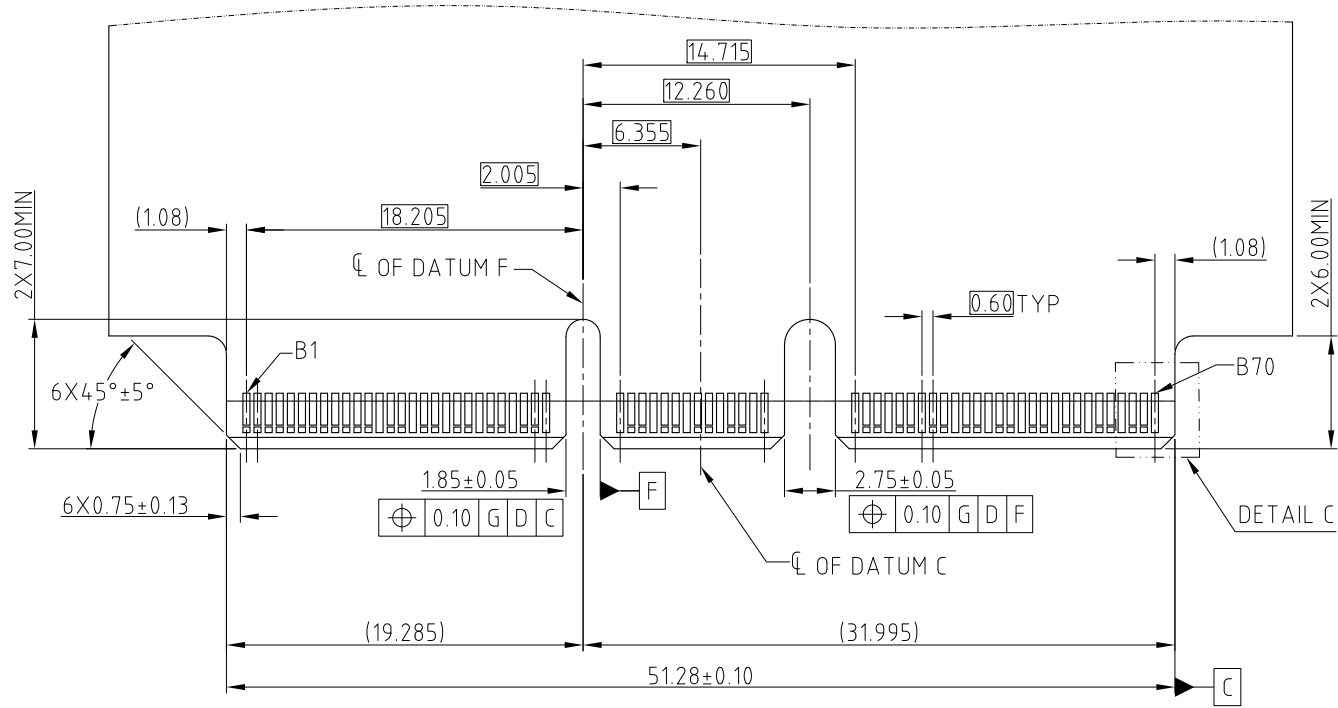


UNLESS OTHERWISE SPECIFIED TOLERANCES U.S. METRIC .X +/- 0.25 .XX +/- 0.20 .XXX +/- 0.15 FRACTIONS +/- 5° ANGLES +/- 5° FOR MATERIALS AND FINISHES SEE NOTES REMOVE SHARP EDGES DIMENSIONS —U.S.— INCHES (METRIC) (mm)	APPROVAL DRAWN Teng.Cao CHECKED Ly.Yi APPROVED	DATE Sep.24,2019 Sep.24,2019		
	DRAWING FILE : INTERNAL\ME\C ME101401340110X			TITLE MINI COOL EDGE CONNECTOR 140P S/M MATE 1.57 HOST PCB
	ANGLE OF PROJECTION 			
	SCALE NONE SHEET 1 OF 3			

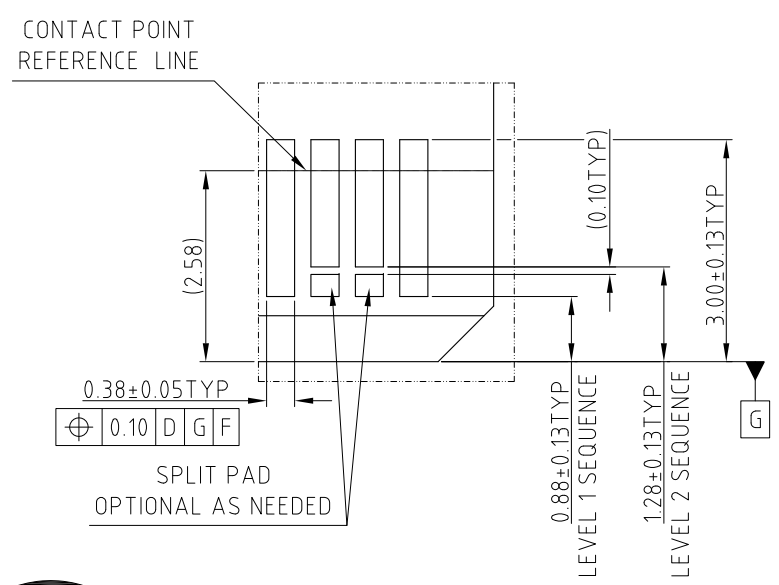
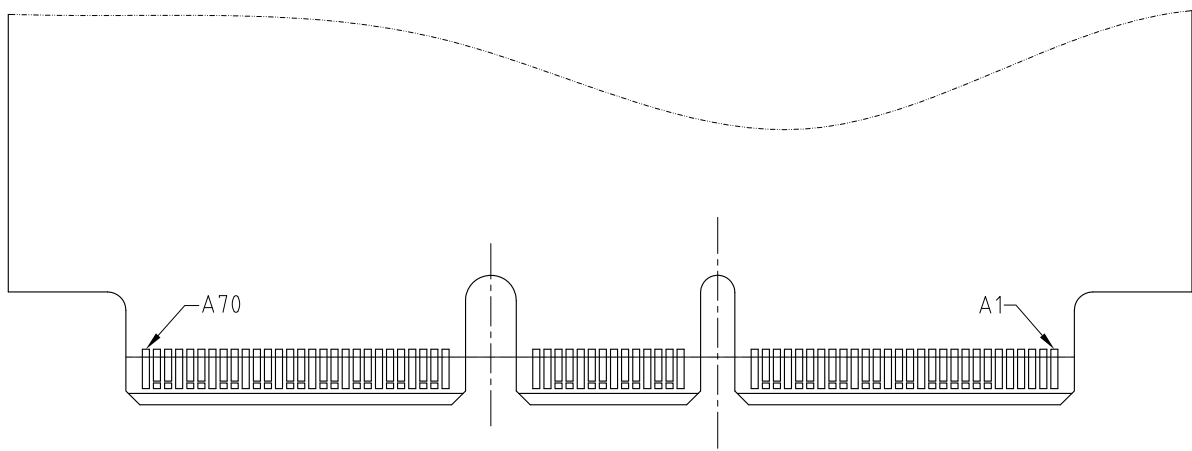
This document is the property of Amphenol Corporation and is delivered on the express condition that it is not to be disclosed, reproduced or used, in whole or in part, for manufacture or sale by anyone other than Amphenol Corporation without its prior consent, & that no right is granted to disclose or to use any information in this document.

CUSTOMER DRAWING

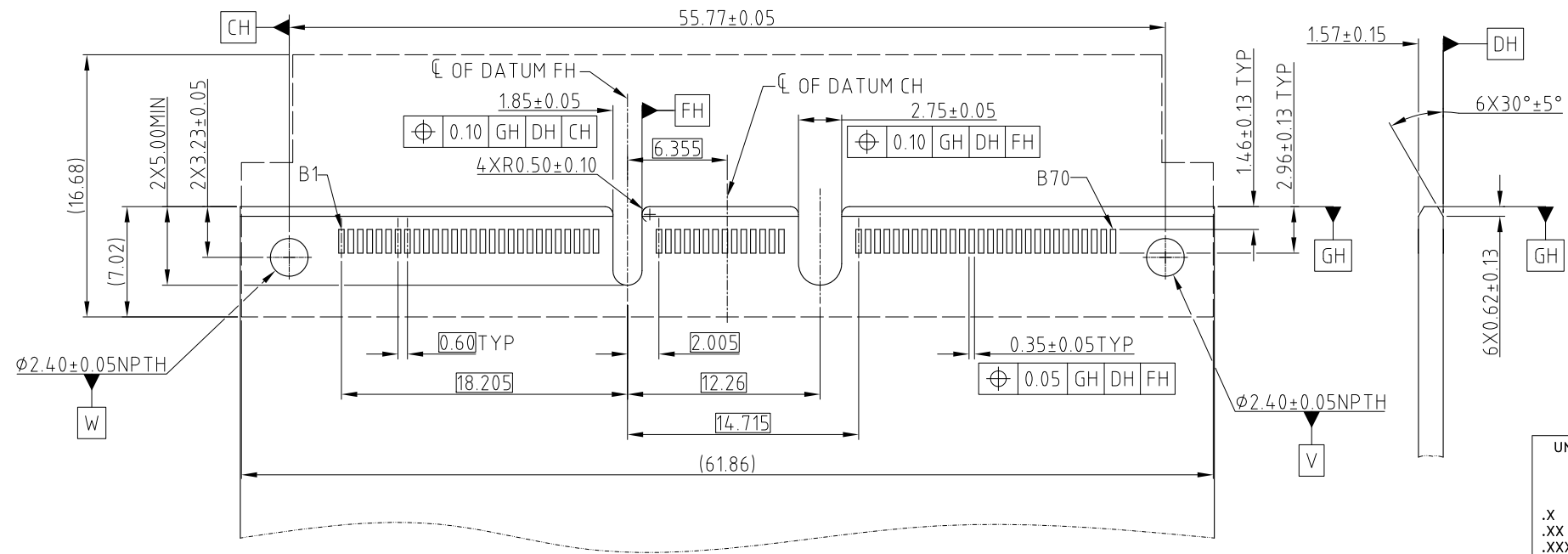
REVISIONS				
SYM	ECN	DESCRIPTION	DATE	APPROVED
		SEE SHEET 1		



RECOMMENDED AIC MATING CARD



DETAIL C
SCALE 4:1



NOTE: POSITION A1 ON THE OPPOSITE SIDE OF CARD OF B1
RECOMMENDED FOOTPRINT

UNLESS OTHERWISE SPECIFIED TOLERANCES	
U.S.	METRIC
.X +/-	0.25
.XX +/-	0.20
.XXX +/-	0.15
FRACTIONS +/-	5°
ANGLES +/-	
FOR MATERIALS AND FINISHES SEE NOTES	
REMOVE SHARP EDGES	
DIMENSIONS	
—U.S.—	INCHES
(METRIC)	(mm)

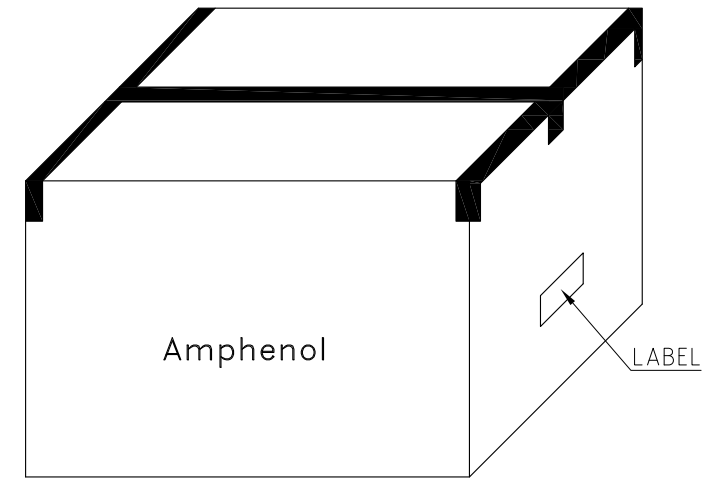
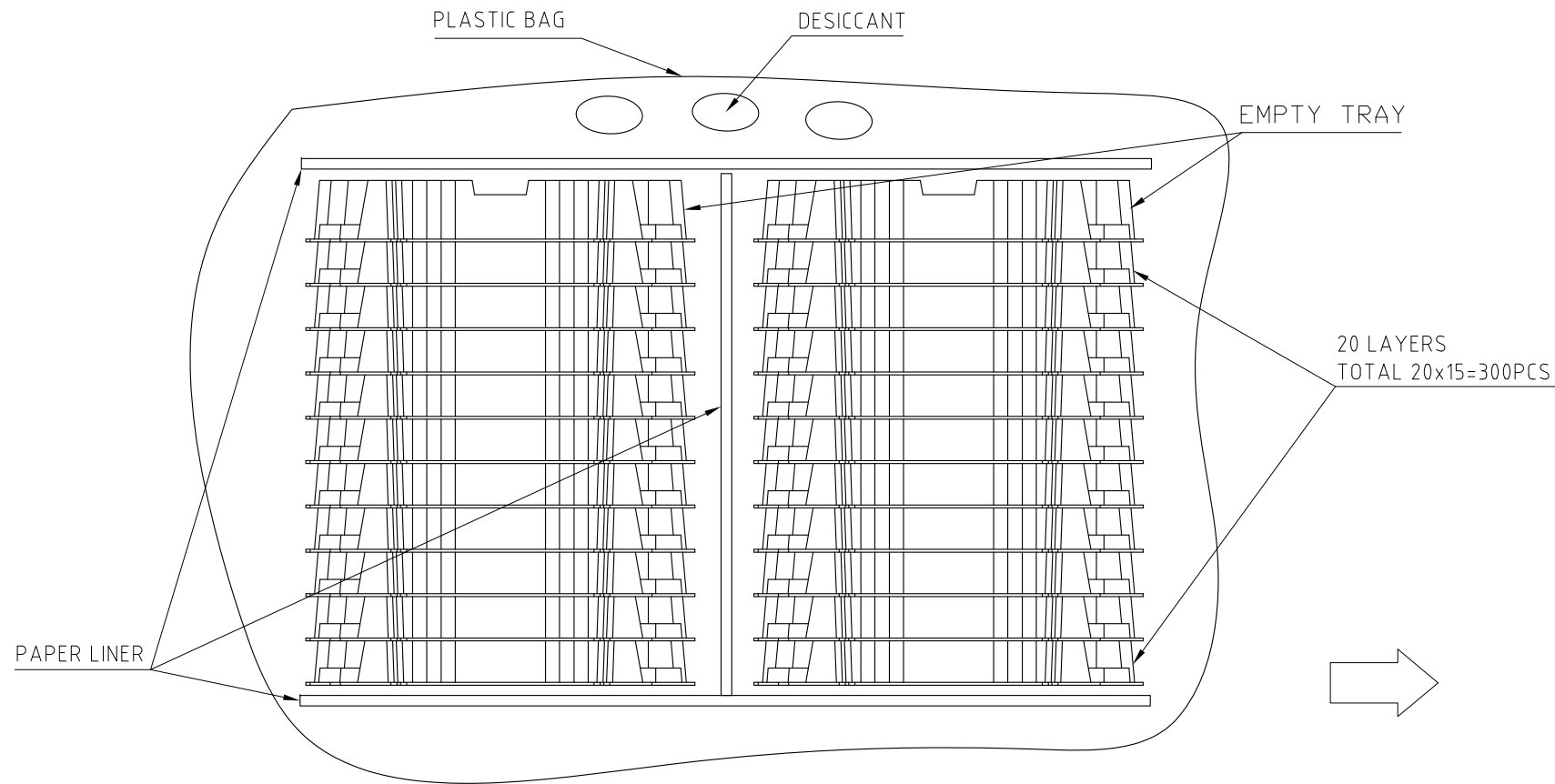
APPROVAL	DATE
DRAWN Teng.Cao	Sep.24,2019
CHECKED Ly.Yi	Sep.24,2019
APPROVED	
DRAWING FILE :	
INTERNAL\ME\C ME101401340110X	
ANGLE OF PROJECTION	

Amphenol		
TITLE		
MINI COOL EDGE CONNECTOR		
140P S/M MATE 1.57 HOST PCB		
SIZE	DRAWING NO.	REV.
A3	C ME101401340110X	4
SCALE	NONE	SHEET 2 OF 3

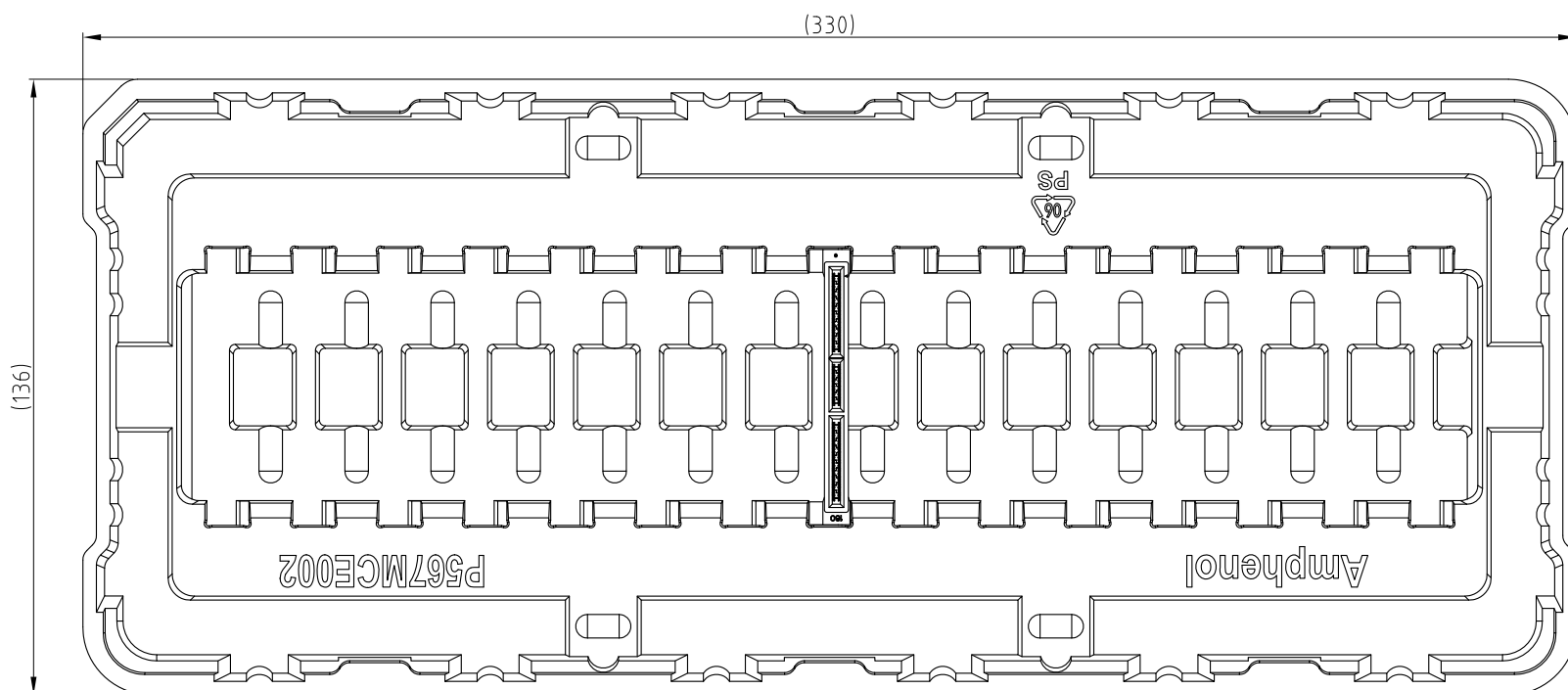
This document is the property of Amphenol Corporation and is delivered on the express condition that it is not to be disclosed, reproduced or used, in whole or in part, for manufacture or sale by anyone other than Amphenol Corporation without its prior consent, & that no right is granted to disclose or to use any information in this document.

CUSTOMER DRAWING

REVISIONS				
SYM	ECN	DESCRIPTION	DATE	APPROVED
		SEE SHEET 1		



300PCS / CARTON



UNLESS OTHERWISE SPECIFIED TOLERANCES		APPROVAL	DATE	Amphenol		
	U.S. METRIC	DRAWN	Teng.Cao			Sep.24,2019
.X +/-	0.25	CHECKED	Ly.Yi			Sep.24,2019
.XX +/-	0.20	APPROVED				
.XXX +/-	0.15	DRAWING FILE :		TITLE		
FRACTIONS +/-	5°	INTERNAL\ME\C ME101401340110X		MINI COOL EDGE CONNECTOR		
ANGLES +/-		ANGLE OF PROJECTION		140P S/M MATE 1.57 HOST PCB		
FOR MATERIALS AND FINISHES SEE NOTES		REMOVE SHARP EDGES		SIZE	DRAWING NO.	
DIMENSIONS				A3	C ME101401340110X	
—U.S.—	INCHES			REV.	4	
(METRIC)	(mm)			SCALE	NONE	
				SHEET 3 OF 3		