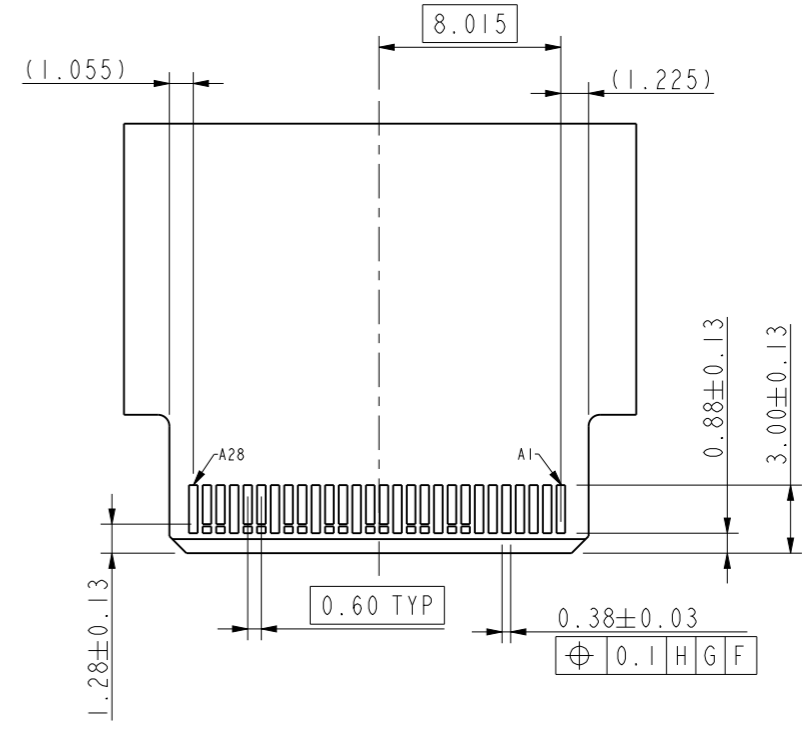
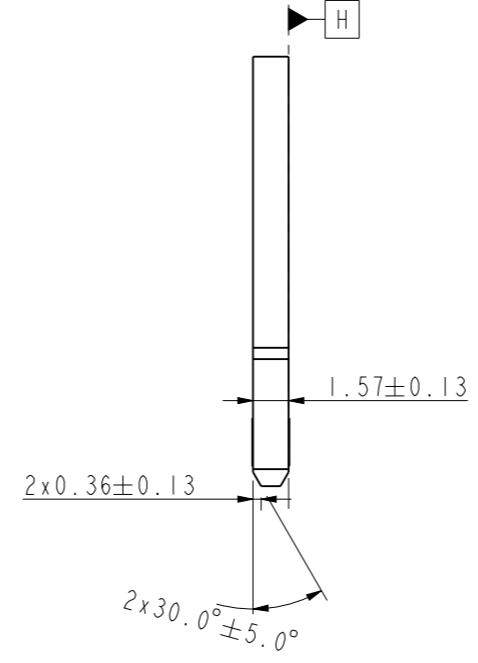
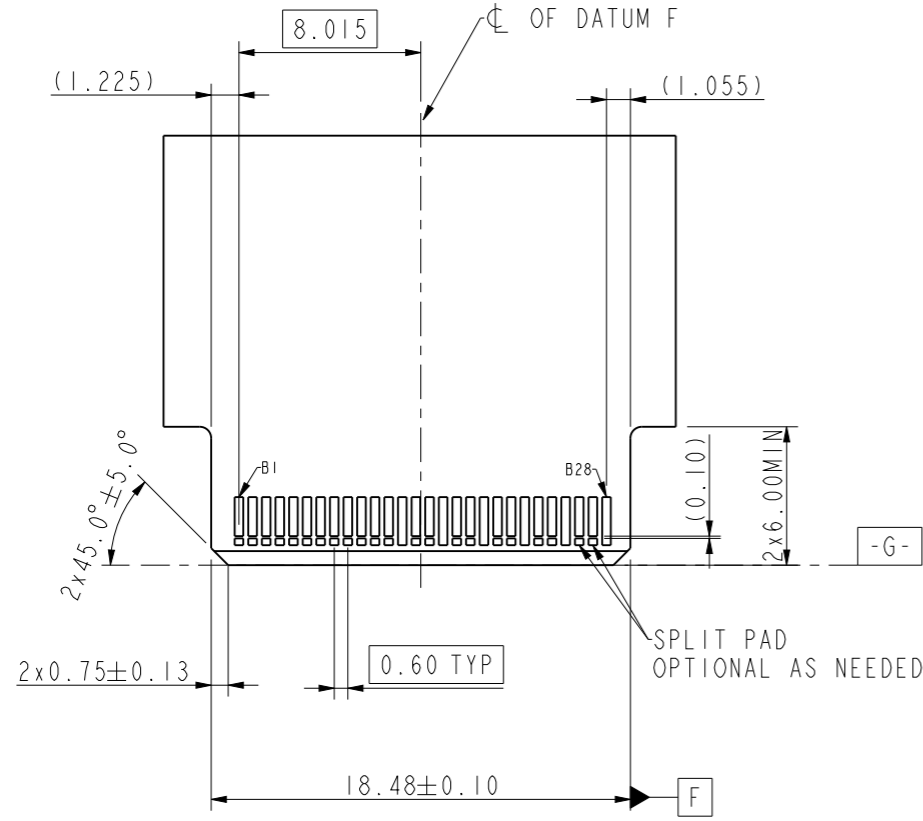


PART NUMBER SYSTEM  
ME200560231101X

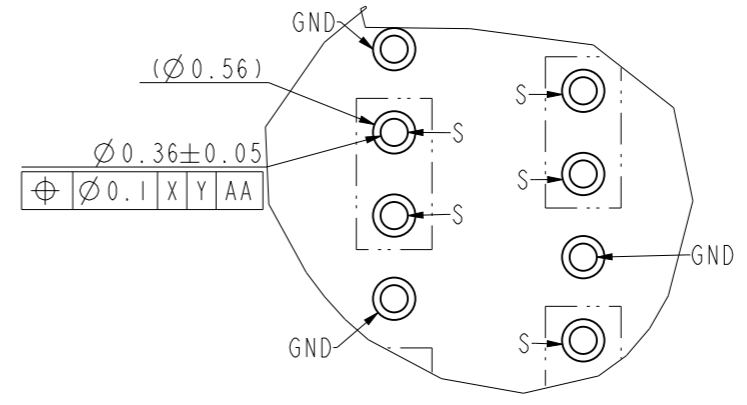
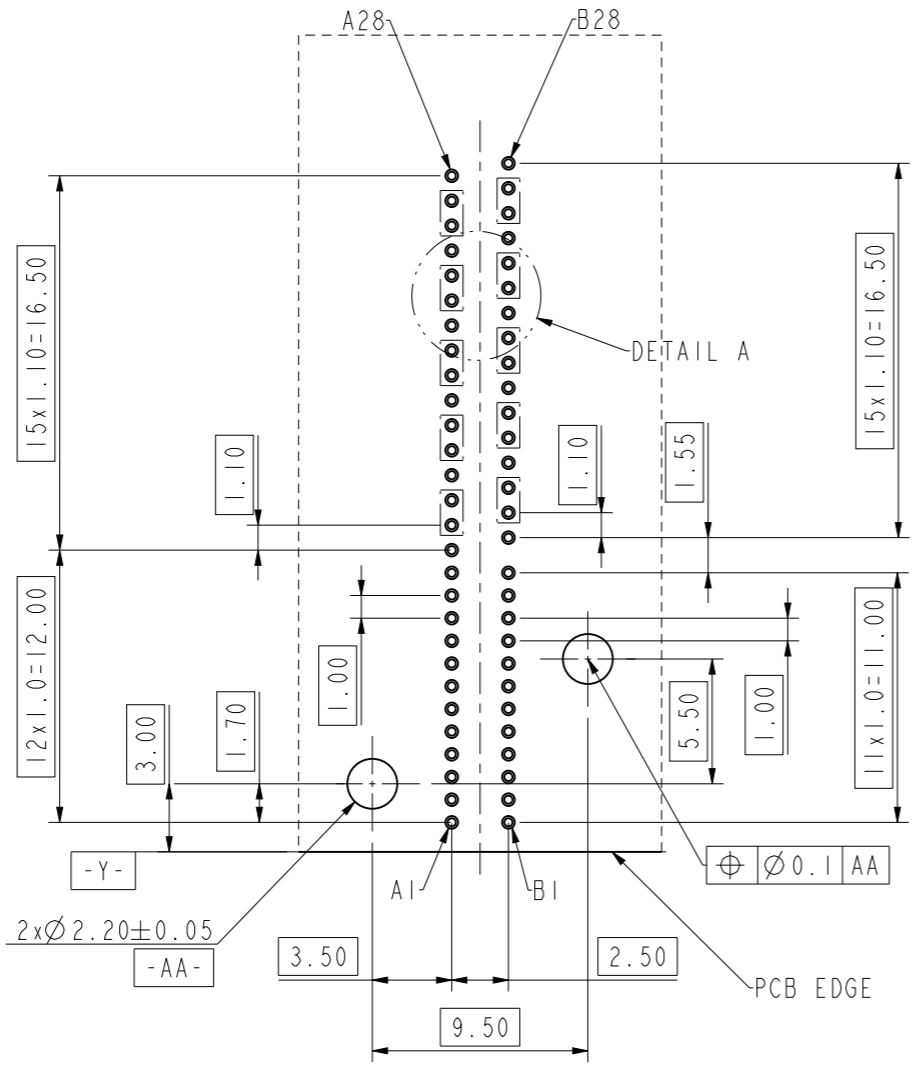
PLATING SPEC  
1 0.76UM AU MIN OVER 1.27UM MIN NI  
2 0.38UM AU MIN OVER 1.27UM MIN NI  
5 1.27UM AU MIN OVER 1.27UM MIN NI

spec ref	dr	Jun. Fan	Feb. 05, 2021	<h1>Amphenol</h1>	MM	scale	3:1	size	A3
tolerance std	eng	Jun. Fan	Feb. 05, 2021		ecn no	ECN2474			
TOLERANCES UNLESS OTHERWISE SPECIFIED 0.X ± 0.25 0.XX ± 0.20 0.XXX ± 0.15 angular 0° ± 2°	rvwr				amphenol-icc.com	rel level	RELEASE		
	appr				projection	MINI COOL EDGE CONNECTOR 56PIN_0.6MM PITCH_IXI_ORTH, 85 Ohm	cat. no. C ME200560231101X	rev	18
surface	linear	0.X	± 0.25		product family	MINI COOL EDGE	sheet 1 of 5		

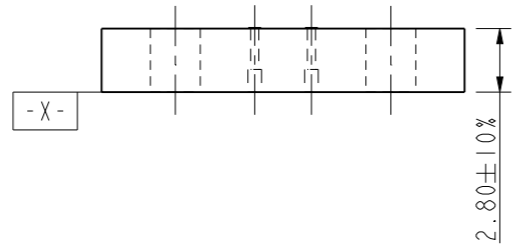


RECOMMENDED LAYOUT FOR MATING CARD, THICKNESS=1.57MM  
 GENERAL TOLERANCE ±0.05  
 FOLLOW EDSFF SPEC

spec ref		dr Jun. Fan Feb. 05, 2021		<b>Amphenol</b>	MM	scale 3:1	size A3
tolerance std		eng Jun. Fan Feb. 05, 2021			ecn no ECN2474		
TOLERANCES UNLESS OTHERWISE SPECIFIED		appr			amphenol-icc.com		rel level RELEASE
surface	linear	0.X	± 0.25	projection	MINI COOL EDGE CONNECTOR 56PIN_0.6MM PITCH_IXI_ORTH, 85 Ohm	cat. no. C ME200560231101X	rev 18
		0.XX	± 0.20				
		0.XXX	± 0.15				
	angular	0°	± 2°		product family MINI COOL EDGE	sheet 2 of 5	



DETAIL A  
SCALE 10:1



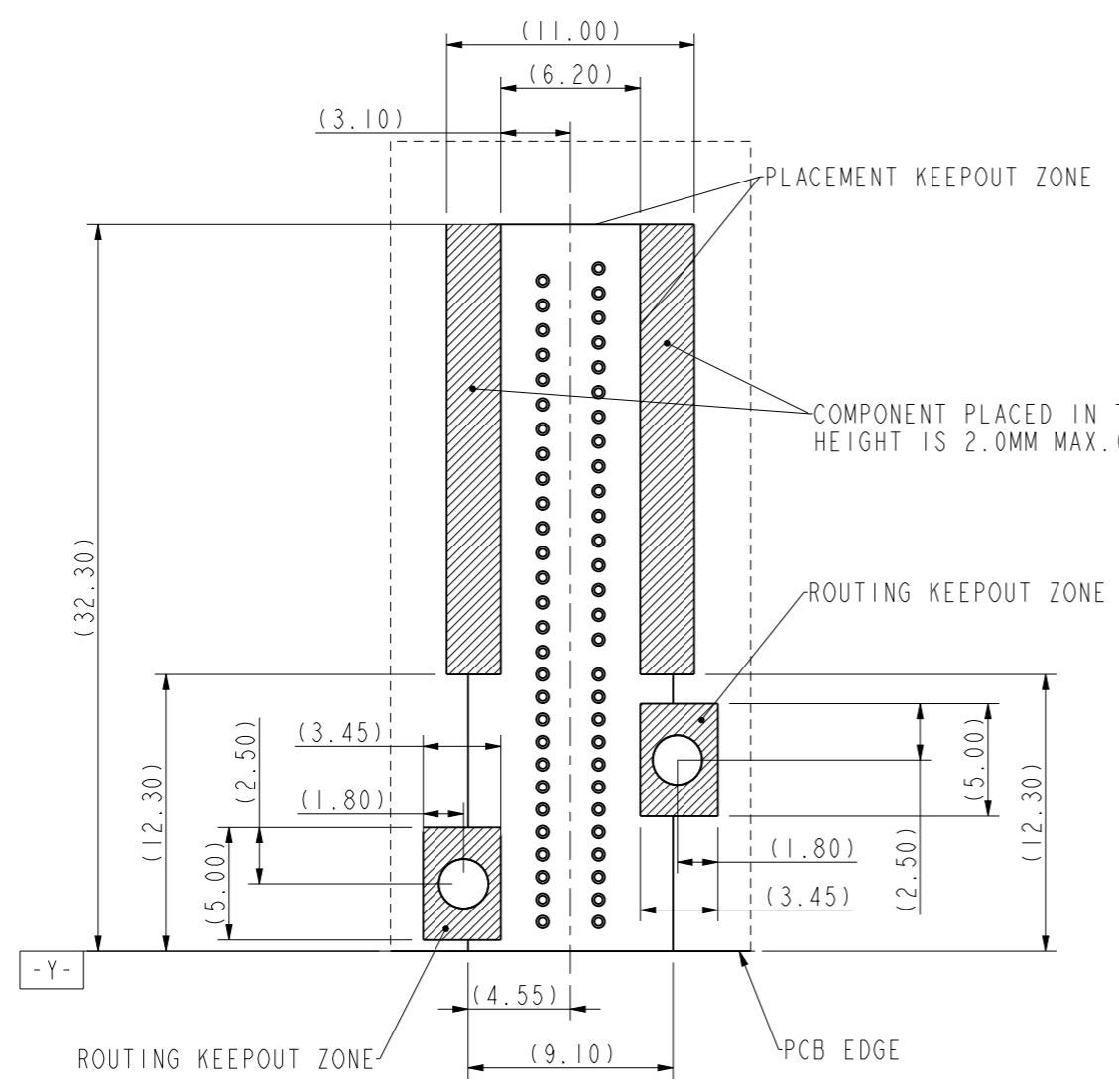
THE RECOMMENDED PCB (MOTHER BOARD) THICKNESS IS 1.20MM MIN.

RECOMMENDED PCB LAYOUT FOR DIFFERENTIAL APPLICATIONS  
COMPONENT SIDE  
GENERAL TOLERANCE ±0.05

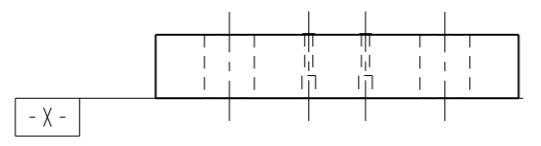
PLATING TYPE	COPPER OSP
DRILL HOLE Ø	0.40 - 0.46
Cu PLATING NOTE 1	0.025-0.045
FINISH HOLE	0.31 - 0.41

spec ref	dr	Jun. Fan	Feb. 05, 2021	<b>Amphenol</b>	MM	scale	size
tolerance std	eng	Jun. Fan	Feb. 05, 2021		←	3:1	A3
TOLERANCES UNLESS OTHERWISE SPECIFIED	rvwr				ecn no	ECN2474	
	appr				rel level	RELEASE	
surface	linear	0.X	± 0.25	projection	MINI COOL EDGE CONNECTOR	cat. no.	rev
		0.XX	± 0.20		56PIN_0.6MM PITCH_1X1_ORTH, 85 Ohm	C ME200560231101X	18
		0.XXX	± 0.15				
	angular	0°	± 2°	product family	MINI COOL EDGE	sheet 3 of 5	

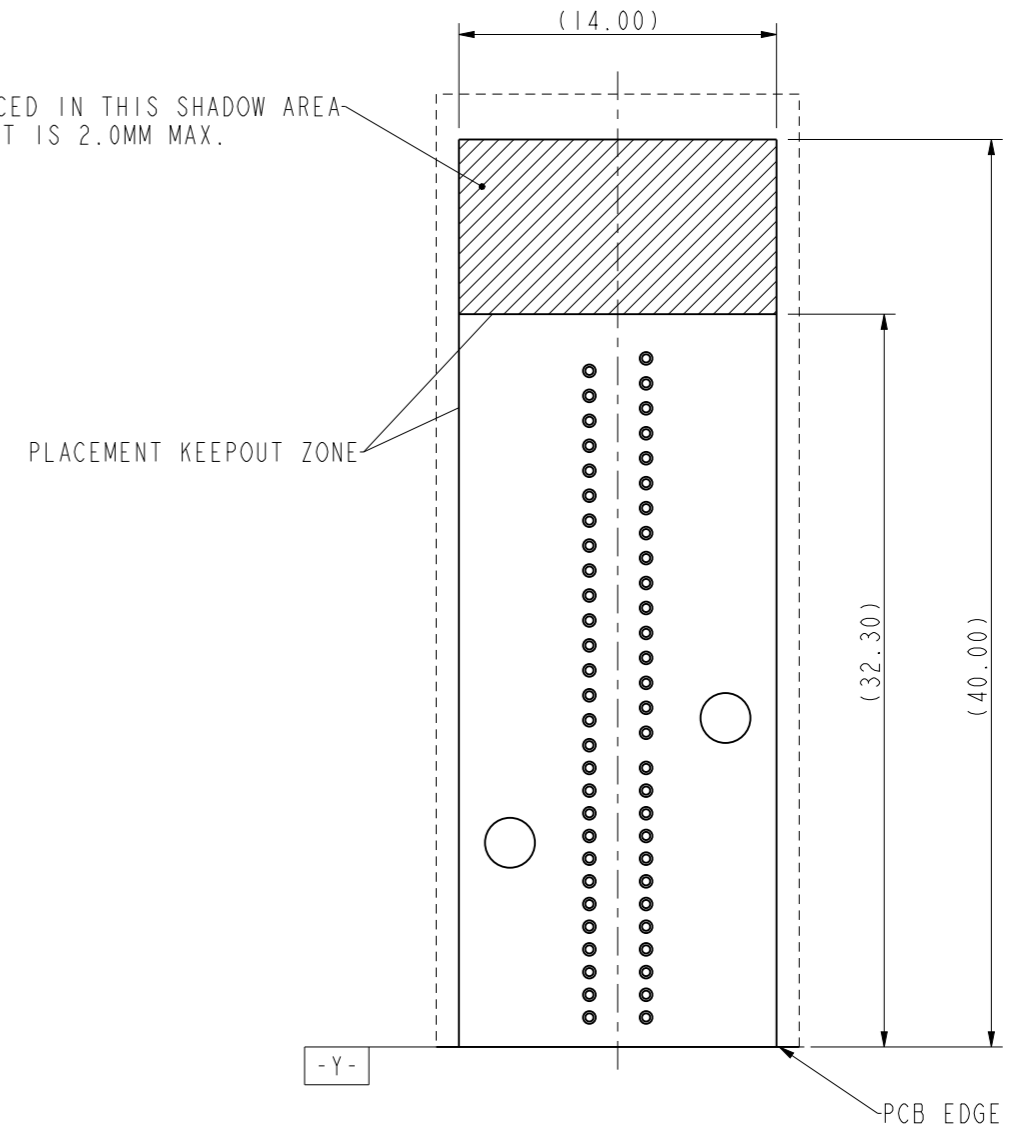
# Amphenol



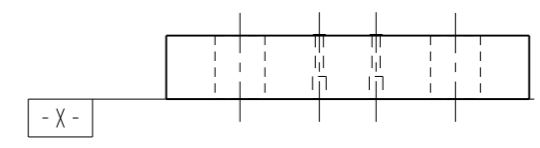
KEEPOUT ZONE FOR INSTALLATION PROCEDURE (AMPHENOL INSTALLATION TOOLING: CE100541XIPF)



COMPONENT PLACED IN THIS SHADOW AREA HEIGHT IS 2.0MM MAX.



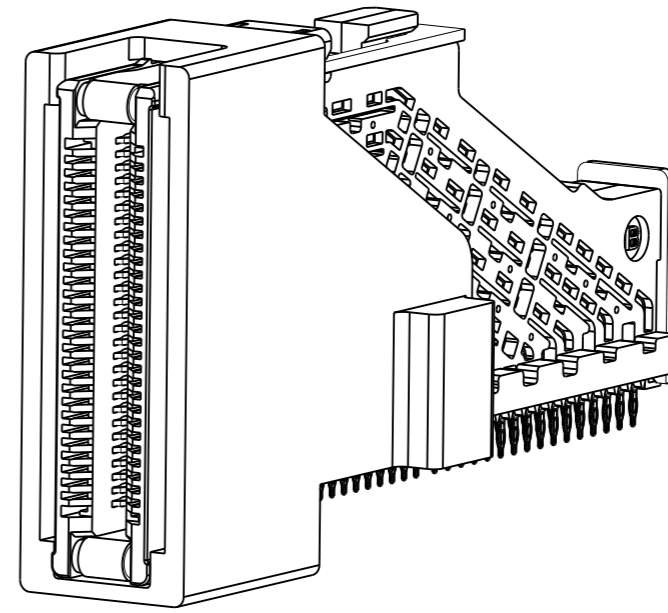
KEEPOUT ZONE FOR REMOVAL PROCEDURE (AMPHENOL REMOVAL TOOLING : ME20056RM001)



© 2020 Amphenol Corporation

spec ref		dr	Jun. Fan	Feb. 05, 2021	<b>Amphenol</b>	MM	scale	size
tolerance std		eng	Jun. Fan	Feb. 05, 2021			3:1	A3
TOLERANCES UNLESS OTHERWISE SPECIFIED		rvwr					ECN2474	
		appr					RELEASE	
surface	linear	0.X	± 0.25	projection	MINI COOL EDGE CONNECTOR	C ME200560231101X	rev	
	angular	0°	± 2°	56PIN_0.6MM PITCH_IXI_ORTH, 85 Ohm			18	
product family					MINI COOL EDGE	sheet 4 of 5		

Pin	Contact Sequence	Signal	Signal	Contact Sequence	Pin
B1	2nd mate	12V	GND	1st mate	A1
B2	2nd mate	12V	GND	1st mate	A2
B3	2nd mate	12V	GND	1st mate	A3
B4	2nd mate	12V	GND	1st mate	A4
B5	2nd mate	12V	GND	1st mate	A5
B6	2nd mate	12V	GND	1st mate	A6
B7	2nd mate	MFC	SMBCLK	2nd mate	A7
B8	2nd mate	RFU	SMBDAT	2nd mate	A8
B9	2nd mate	DUALPORTEN#	SMBRST#	2nd mate	A9
B10	2nd mate	PERST0#	LED#/ACTIVITY	2nd mate	A10
B11	2nd mate	3.3VAux	PERST1#/CLKREQ#	2nd mate	A11
B12	2nd mate	PWRDIS	PRSNT0#	2nd mate	A12
B13	1st mate	GND	GND	1st mate	A13
B14	2nd mate	RFFCLKn0	RFFCLKn1	2nd mate	A14
B15	2nd mate	RFFCLKp0	RFFCLKp1	2nd mate	A15
B16	1st mate	GND	GND	1st mate	A16
B17	2nd mate	PETn0	PERn0	2nd mate	A17
B18	2nd mate	PETp0	PERp0	2nd mate	A18
B19	1st mate	GND	GND	1st mate	A19
B20	2nd mate	PETn1	PERn1	2nd mate	A20
B21	2nd mate	PETp1	PERp1	2nd mate	A21
B22	1st mate	GND	GND	1st mate	A22
B23	2nd mate	PETn2	PERn2	2nd mate	A23
B24	2nd mate	PETp2	PERp2	2nd mate	A24
B25	1st mate	GND	GND	1st mate	A25
B26	2nd mate	PETn3	PERn3	2nd mate	A26
B27	2nd mate	PETp3	PERp3	2nd mate	A27
B28	1st mate	GND	GND	1st mate	A28



- NOTES:
- CONNECTOR MATERIALS:  
 HOUSING: HIGH TEMP THERMOPLASTIC, NATURAL, UL94V-0  
 IMLA PLASTIC: HIGH TEMP THERMOPLASTTIC, BLACK, UL94V-0  
 SHIELD: CONDUCTIVE HIGH TEMP THERMOPLASTTIC BLACK UL94-V0  
 CONTACT: COPPER ALLOY  
 METAL KEY: COPPER ALLOY  
 METAL FRAMEWORK: ZN ALLOY  
 METAL STIFFENER: STAINLESS STEEL
  - CONTACT PLATING:  
 SEPARABLE INTERFACE: SEE PLATING SPEC OVER 1.27UM MIN NICKEL UNDER PLATED.  
 PRESS-FIT TAILS: MATTE TIN OVER 1.27UM MIN NICKEL UNDER PLATED.
  - PRODUCT MARKING, (PARTNUMBER & DATE CODE)
  - MATERIAL SHOULD BE FULFILLED AMPHENOL SPEC # SSN002 AND MEET HALOGEN FREE
  - PCB DRILL HOLE AND PLATING SPEC SEE TABLE 1

CONNECTOR PINOUT DEFINITIONS  
 (EDSFF X4 DEVICE EDGE PINOUT)  
 CONNECTOR PIN A1~A6 AND PIN B1~B6 ARE LINKED TOGETHER RESPECTIVELY

spec ref	dr	Jun. Fan	Feb. 05, 2021		MM	scale	size
tolerance std	eng	Jun. Fan	Feb. 05, 2021		←	3:1	A3
TOLERANCES UNLESS OTHERWISE SPECIFIED					ecn no	ECN2474	
					rel level	RELEASE	
surface	linear	0.X	± 0.25	projection	MINI COOL EDGE CONNECTOR	cat. no.	rev
		0.XX	± 0.20		56PIN_0.6MM PITCH_IXI_ORTH, 85 Ohm	C ME200560231101X	18
	angular	0°	± 2°		product family	MINI COOL EDGE	sheet 5 of 5