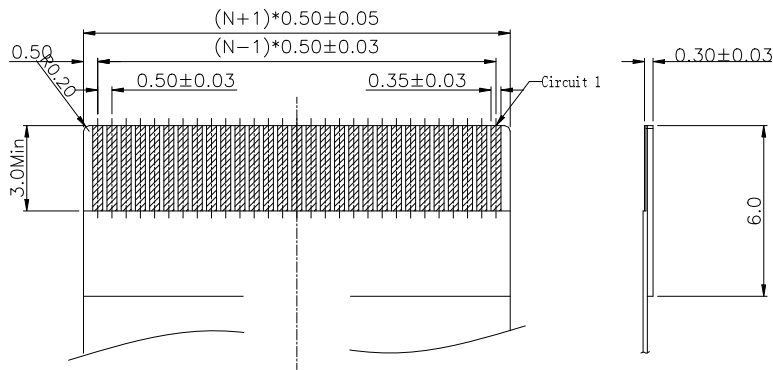
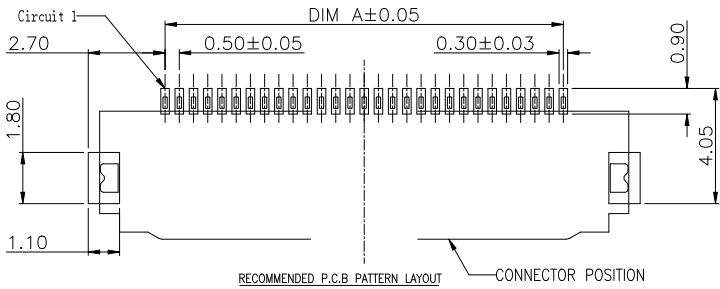
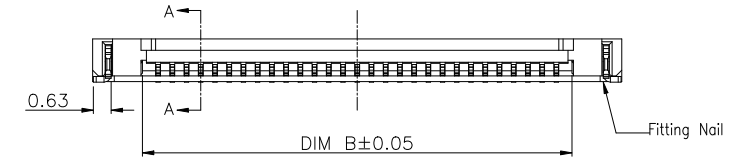
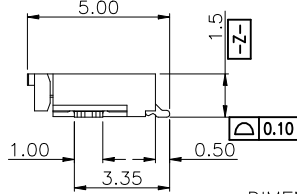
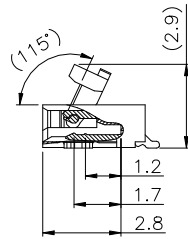
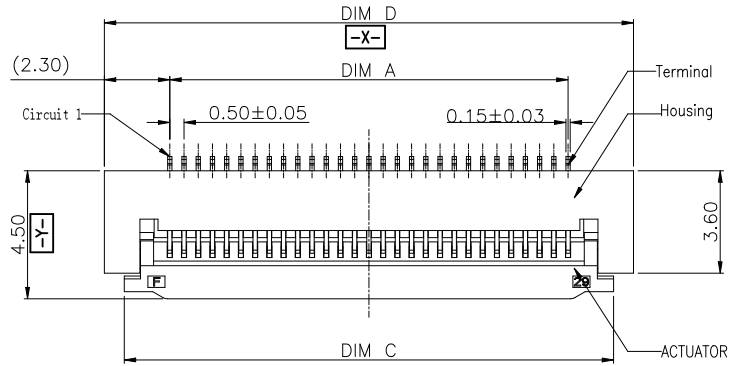


halogen free



REV.	ECR/ECN No.	DESCRIPTION	DRAWN/DATE	CHECKED/DATE	APPROVED/DATE
A	/	NEW REVISION	May 2022-05-08	SH.Chen 2022-05-08	Rain.Han 2022-05-08

NO.	COMPONENTS	MATERIALS	SPECIFICATION:FINISH/COLOR	QTY.
1	ACTUATOR	thermoplastic high temp. UL94V-0	BLACK	1
2	HOUSING	thermoplastic high temp. UL94V-0	NATURE	1
3	CONTACT	COPPER ALLOY,T=0.15	CONTACT & SOLDER AREA PLATING GOLD FLASH AND FOOT UNDERPLATING:1um NICKEL MIN.	N
4	FITTING NAIL	COPPER ALLOY,T=0.20	Matte Tin overall.	2

- NOTE:
 1.COMPLIANT TO RoHS 2.0
 2."▽" Mark is Critical characteristic dimension
 3."▼" Mark is Significant characteristic dimension
 4.PART NO. LEGEND:

F34G-1A7*1-E8C**
 NO. OF POSITIONS
 7Q:PHOSPHOR BRONZE GOLD FLASH
 7H:PHOSPHOR BRONZE 0.075um Au

DIMENSION LIST:

CKTS	DIM A	DIM B	DIM C	DIM D	CKTS	DIM A	DIM B	DIM C	DIM D	CKTS	DIM A	DIM B	DIM C	DIM D
04	1.50	2.60	4.70	6.10	23	11.00	12.10	14.20	15.60	42	20.50	21.60	23.70	25.10
05	2.00	3.10	5.20	6.60	24	11.50	12.60	14.70	16.10	43	21.00	22.10	24.20	25.60
06	2.50	3.60	5.70	7.10	25	12.00	13.10	15.20	16.60	44	21.50	22.60	24.70	26.10
07	3.00	4.10	6.20	7.60	26	12.50	13.60	15.70	17.10	45	22.00	23.10	25.20	26.60
08	3.50	4.60	6.70	8.10	27	13.00	14.10	16.20	17.60	46	22.50	23.60	25.70	27.10
09	4.00	5.10	7.20	8.60	28	13.50	14.60	16.70	18.10	47	23.00	24.10	26.20	27.60
10	4.50	5.60	7.70	9.10	29	14.00	15.10	17.20	18.60	48	23.50	24.60	26.70	28.10
11	5.00	6.10	8.20	9.60	30	14.50	15.60	17.70	19.10	49	24.00	25.10	27.20	28.60
12	5.50	6.60	8.70	10.10	31	15.00	16.10	18.20	19.60	50	24.50	25.60	27.70	29.10
13	6.00	7.10	9.20	10.60	32	15.50	16.60	18.70	20.10	51	25.00	26.10	28.20	29.60
14	6.50	7.60	9.70	11.10	33	16.00	17.10	19.20	20.60	52	25.50	26.60	28.70	30.10
15	7.00	8.10	10.20	11.60	34	16.50	17.60	19.70	21.10	53	26.00	27.10	29.20	30.60
16	7.50	8.60	10.70	12.10	35	17.00	18.10	20.20	21.60	54	26.50	27.60	29.70	31.10
17	8.00	9.10	11.20	12.60	36	17.50	18.60	20.70	22.10	55	27.00	28.10	30.20	31.60
18	8.50	9.60	11.70	13.10	37	18.00	19.10	21.20	22.60	56	27.50	28.60	30.70	32.10
19	9.00	10.10	12.20	13.60	38	18.50	19.60	21.70	23.10	57	28.00	29.10	31.20	32.60
20	9.50	10.60	12.70	14.10	39	19.00	20.10	22.20	23.60	58	28.50	29.60	31.70	33.10
21	10.00	11.10	13.20	14.60	40	19.50	20.60	22.70	24.10	59	29.00	30.10	32.20	33.60
22	10.50	11.60	13.70	15.10	41	20.00	21.10	23.20	24.60	60	29.50	30.60	32.70	34.10

UNLESS OTHERWISE SPECIFIED TOLERANCES		ANGLE OF PROJECTION	
X.	±0.30	X.	± 5°
X.X	±0.25	X.X	± 4°
X.XX	±0.20	X.XX	± 3°
X.XXX	±0.15	X.XXX	± 2°
LINEAR DIMS		ANGLES DIMS	
DWG NO.:	A-S0750	DOC TYP	Customer Drw
MATERIAL	SEE NOTES	DRAWN DATE	May 2022-05-08
FINISHED	SEE NOTES	DESIGN DATE	May 2022-05-08
		CHECKED DATE	SH.Chen 2022-05-08
		APPROVED DATE	Rain.Han 2022-05-08

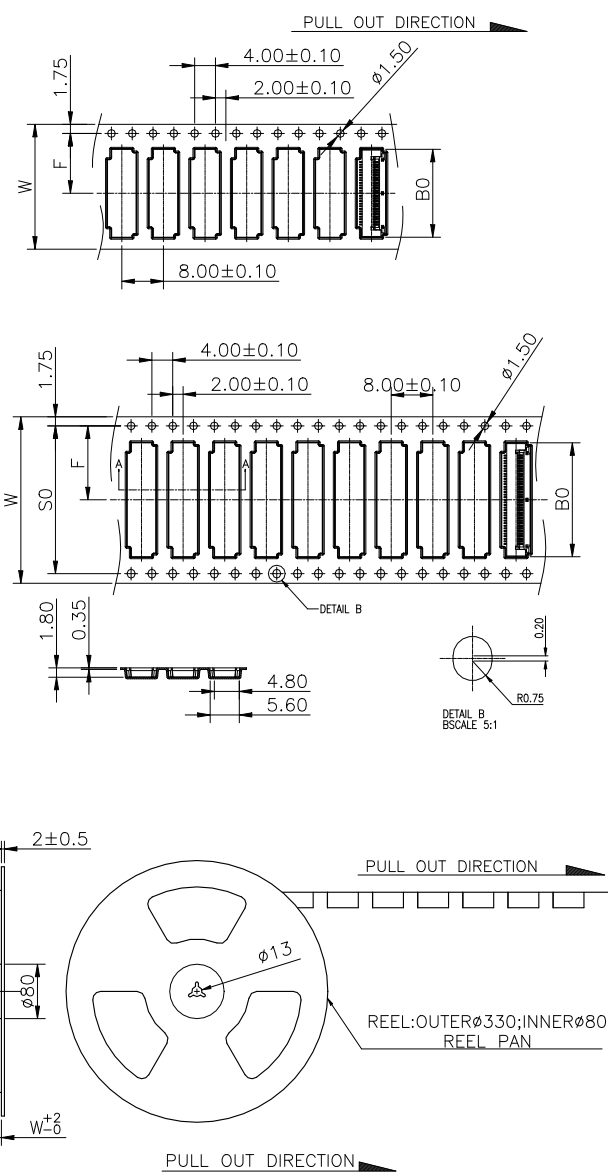
TITLE:	
Assembly Drawing For	0.5Pitch H=1.5 FPC Easy-on R/A Type1 D/C SMT CONN
SIZE	A4
PART NUMBER:	F34G-1A7*1-E8C**
SCALE	1:1
UNIT	mm
SHEET	1 OF 2

Amphenol AORORA
 Amphenol Aorora Technology (Huizhou) Co.,Ltd

This document is the property of and embodies CONFIDENTIAL and PROPRIETARY information of AOR. No part of the information shown on this document may be used in any way or disclosed to others without the written consent of AOR. © 2019 AOR



1. PACKING INTO REEL:



DIMENSION LIST:

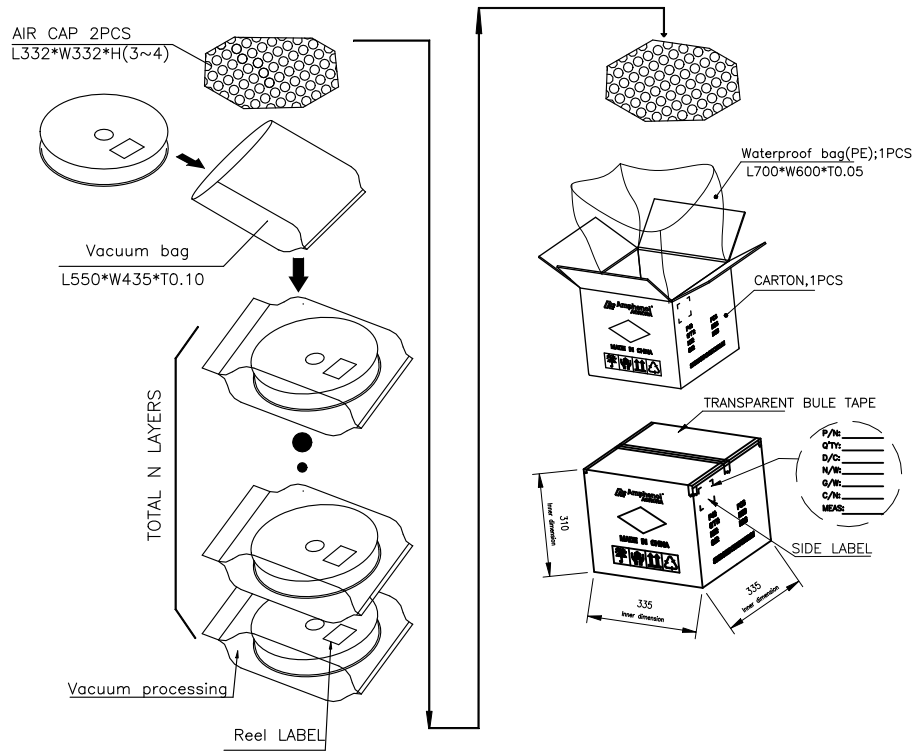
CKTS	B0±0.10	W	W1	F	N	S0±0.10
04	6.40					
05	6.90					
06	7.40	16.0±0.30	16.4	7.50±0.10	15	
07	7.90					
08	8.40					
09	8.90					
10	9.40					
11	9.90					
12	10.40					
13	10.90					
14	11.40					
15	11.90					
16	12.40	24.0±0.30	24.4	11.5±0.10	10	
17	12.90					
18	13.40					
19	13.90					
20	14.40					
21	14.90					
22	15.40					
23	15.90					
24	16.40					
25	16.90					
26	17.40					
27	17.90					
28	18.40					
29	18.90					
30	19.40					
31	19.90	32.0±0.30	32.4	14.2±0.10	8	28.4
32	20.40					
33	20.90					
34	21.40					
35	21.90					
36	22.40					
37	22.90					
38	23.40					
39	23.90					
40	24.40					
41	24.90					
42	25.40					
43	25.90					
44	26.40					
45	26.90					
46	27.40					
47	27.90	44.0±0.30	44.4	20.2±0.10	6	40.4
48	28.40					
49	28.90					
50	29.40					
51	29.90					
52	30.40					
53	30.90					
54	31.40					
55	31.90					
56	32.40					
57	32.90					
58	33.40					
59	33.90	56.0±0.30	56.4	26.2±0.10	5	52.4
60	34.40					

Unilateral hole

NOTES:

- MATERIAL:
 - CARRY TAPE:HIPS,T=0.30mm,CLEAR
 - REEL:HIPS,BLUE.
 - SHIM:PE,CLEAR.
- PRIMARY PACKING:4000PCS/REEL.
- SECONDARY PACKING:"N"REELS/CARTON ("TOTAL"=N*REEL/CARTON).
- PEELING RESISTANCE: 0.1N~0.7N(10~70gf);
PEELING ANGLE: 165°~180°;
PEELING SPEED: 300mm/minutes.

2:PACKING INTO OUTER BOX



Amphenol AORORA

This document is the property of and embodies CONFIDENTIAL and PROPRIETARY information of AOR. No part of the information shown on this document may be used in any way or disclosed to others without the written consent of AOR. © 2019 AOR

UNLESS OTHERWISE SPECIFIED TOLERANCES		ANGLE OF PROJECTION		Amphenol AORORA	
X.	±0.30	X. '	± 5'	Amphenol Aorora Technology (Huizhou) Co.,Ltd	
X.X	±0.25	X.X '	± 4'		
X.XX	±0.20	X.XX '	± 3'		
X.XXX	±0.15	X.XXX '	± 2'		
LINEAR DIMS		ANGLES DIMS			
DWG NO.:	A-S0750		DOC TYPE	Customer Drw	
MATERIAL	SEE NOTES	DESIGN DATE	May 2022-05-08	TITLE: Assembly Drawing For 0.5Pitch H=1.5 FPC Easy-on R/A Type1 D/C SMT CONN	
FINISHED	SEE NOTES	CHECKED DATE	SH.Chen 2022-05-08	SIZE	PART NUMBER: F34G-1A7*1-E8C**
		APPROVED DATE	Rain.Han 2022-05-08	REV.	A
SCALE	1:1	UNIT	mm	SHEET 2 OF 2	