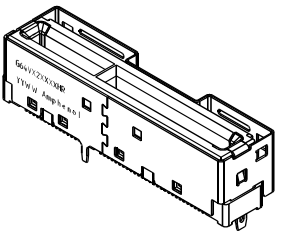
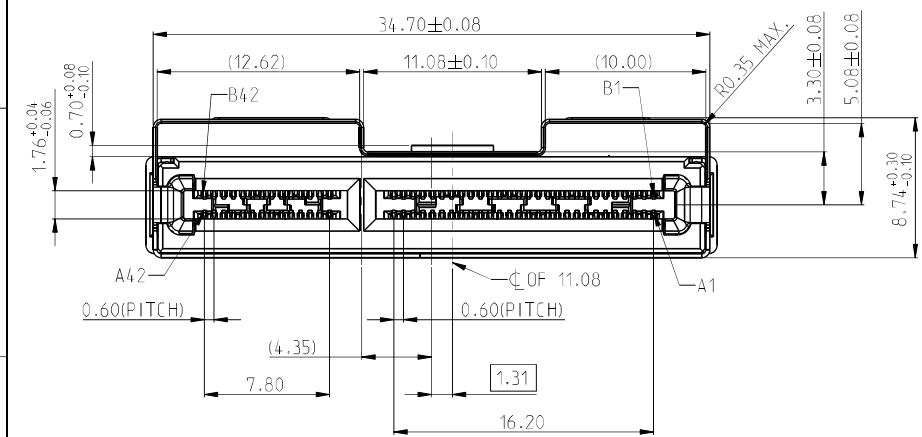


This document is the property of Amphenol Corporation and is delivered on the express condition that it not to be disclosed, reproduced or used, in whole or in part, for manufacture or sale by anyone other than Amphenol Corporation without its prior consent, and that no right is granted to disclose or to use any information in this document.

The marking on this product doesn't contain environmental hazardous materials per Material Specification SS-00259 for Sony GP compliant or per directive 2011/65/EU for RoHS compliant or per IEC 61249-2-21 for Halogen-Free compliant.

REVISIONS				
SYM	ECN No.	DESCRIPTION	DATE	BY
AX10	NA	1. ADDED CONTROL DIMENSIONS 2. ADDED PLASTIC COLOR IN NOTE	03/27/2020	JOAN LU
AX11	NA	ADDED NOTE IN PCB LAYOUT	05/11/2020	JOAN LU
AX12	NA	REVISED DRAWING	05/22/2020	JOAN LU
AX13	NA	UPDATED PULL OUT DIRECTION OF PACKAGE	11/20/2020	JOAN LU



EXTRAPORT Z-LINK  
VERTICAL TYPE  
CONNECTOR SPEED  
3 : 56 G  
KEYWAY TYPE  
2: 2C  
CONTACT FINISH  
2: 15u" GOLD  
3: 30u" GOLD

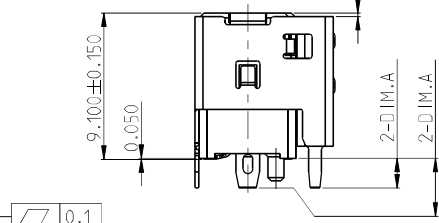
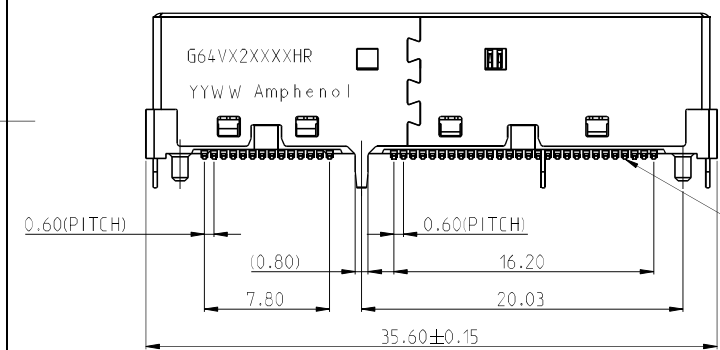
G64 V X 2 X X X X HR

COMPLIANT CODE  
HR: HALOGEN-FREE & RoHS

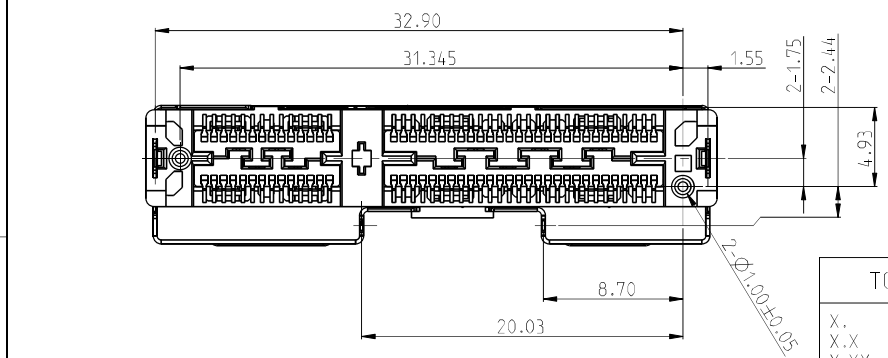
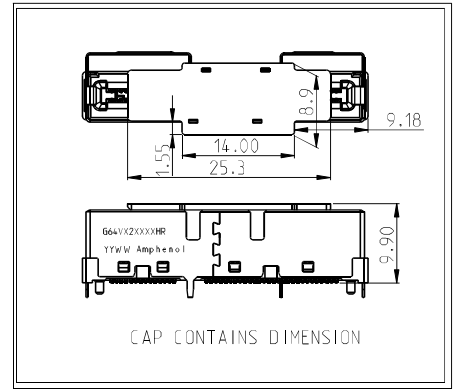
VARIATION CODE  
BLANK: STANDARD

PACKING CODE  
REFER TO TABLE IN PAGE 3

SHELL PIN LENGTH OPTION(DIM.A)  
1: 1.85mm  
2: 2.50mm  
3: 3.30mm  
4: 4.50mm  
5: 1.20mm



NOTES:  
1. MATERIALS:  
PLASTICS : HIGH TEMPERATURE THERMOPLASTIC UL94-0. COLOR: BLACK  
SHELL : STAINLESS  
CONTACT: COPPER ALLOY  
BOARD LOCK: BRASS ALLOY  
2. FINISH  
TERMINAL : CONTACT AREA : SELECTED GOLD PLATING  
SOLDER AREA : MATTE TIN PLATING 100u".  
UNDER PLATING: NICKEL PLATING 50u"MIN OVER ALL  
SHELL : UNDER PLATING: ELECTROLESS NICKEL PLATING 50u"MIN OVER ALL  
3. THIS PRODUCT DOESN'T CONTAIN ENVIRONMENTAL HAZARDOUS MATERIALS  
PER DERCTIVE 2011/65/EC FOR RoHS AND PER IEC 61249-2-21 FOR  
HALOGEN FREE.



TOLERANCE	DRAWN	APPROVALS	DATE	TITLE
X. ±0.30	DESIGNED	Joan Lu	11/20/2020	EXTREMEPORT Z-LINK 2C, 0.6 PITCH, VERTICAL STANDARD, SMT TYPE
X.XX ±0.20	CHECKED	Sondra Sang	11/20/2020	
X.XXX ±0.10	APPROVED	Hank Hsu	11/20/2020	
ANGULAR ±2°	DWG TYPE	CUST DWG	PROJECT CODE TXXX	

UNIT	SIZE	PART No.
MM	A3	G64 VX2XXXHR
SCALE	SHEET	DWG No.
NA	1 OF 3	G64 VX2XXXHR

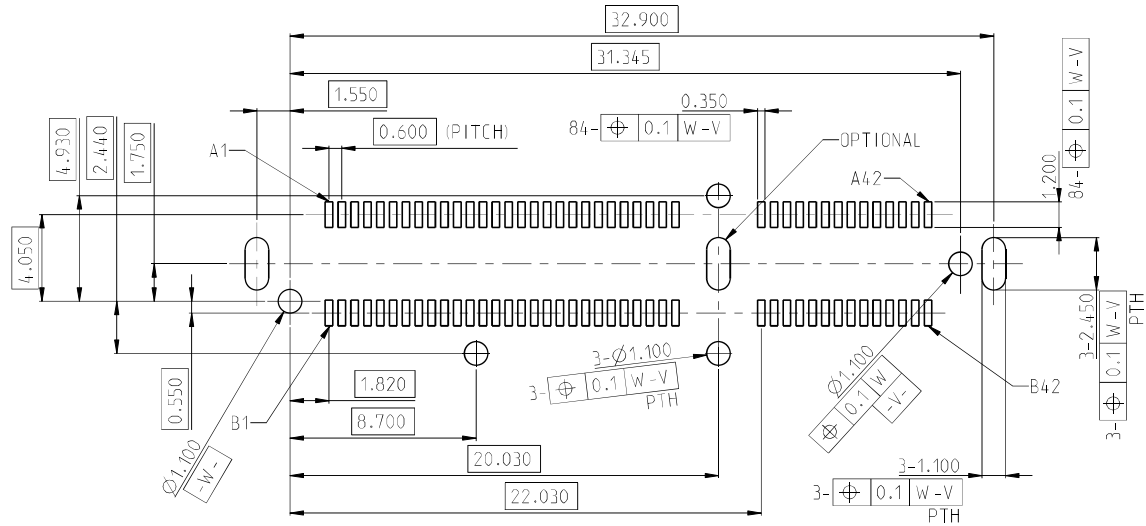
**Amphenol®**  
Amphenol Corporation  
Amphenol Taiwan Corporation

REV. AX13

This document is the property of Amphenol Corporation and is delivered on the express condition that is not to be disclosed, reproduced or used, in whole or in part, for manufacture or sale by anyone other than Amphenol Corporation without its prior consent, and that no right is granted to disclose or to use any information in this document.

The marking on this product doesn't contain environmental hazardous materials per Material Specification SS-00259 for Sony GP compliant or per directive 2011/65/EU for RoHS compliant or per IEC 61249-2-21 for Halogen-Free compliant.

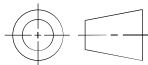
REVISIONS				
SYM	ECN No.	DESCRIPTION	DATE	BY
AX10	NA	1. ADDED CONTROL DIMENSIONS 2. ADDED PLASTIC COLOR IN NOTE	03/27/2020	JOAN LU
AX11	NA	ADDED NOTE IN PCB LAYOUT	05/11/2020	JOAN LU
AX12	NA	REVISED DRAWING	05/22/2020	JOAN LU
AX13	NA	UPDATED PULL OUT DIRECTION OF PACKAGE	11/20/2020	JOAN LU



RECOMMENDED PCB LAYOUT  
(GENERAL TOLERANCES : +/-0.05)



TOLERANCE X. ±0.30 X.X ±0.20 X.XX ±0.10 X.XXX ±0.10 ANGULAR ±2° UNLESS OTHERWISE SPECIFIED	DRAWN	APPROVALS	DATE	TITLE	<b>Amphenol®</b> Amphenol Corporation Amphenol Taiwan Corporation PART No. G64 VX2XXXXHR DWG No. G64 VX2XXXXHR REV. AX13
	DESIGNED	Joan Lu	11/20/2020	EXTREMEPORT Z-LINK 2C, 0.6 PITCH, VERTICAL STANDARD, SMT TYPE	
	CHECKED	Sondra Sang	11/20/2020		
	APPROVED	Hank Hsu	11/20/2020		
	DWG TYPE	CUST DWG	PROJECT CODE	TXXX	

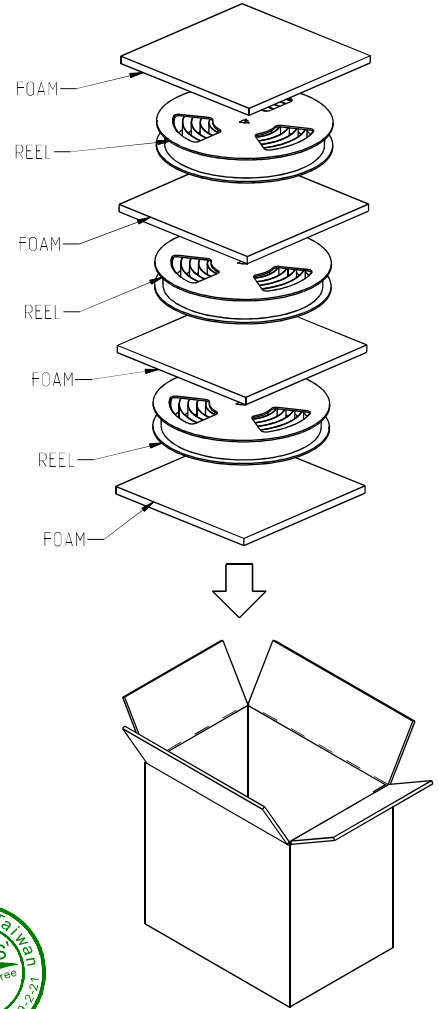
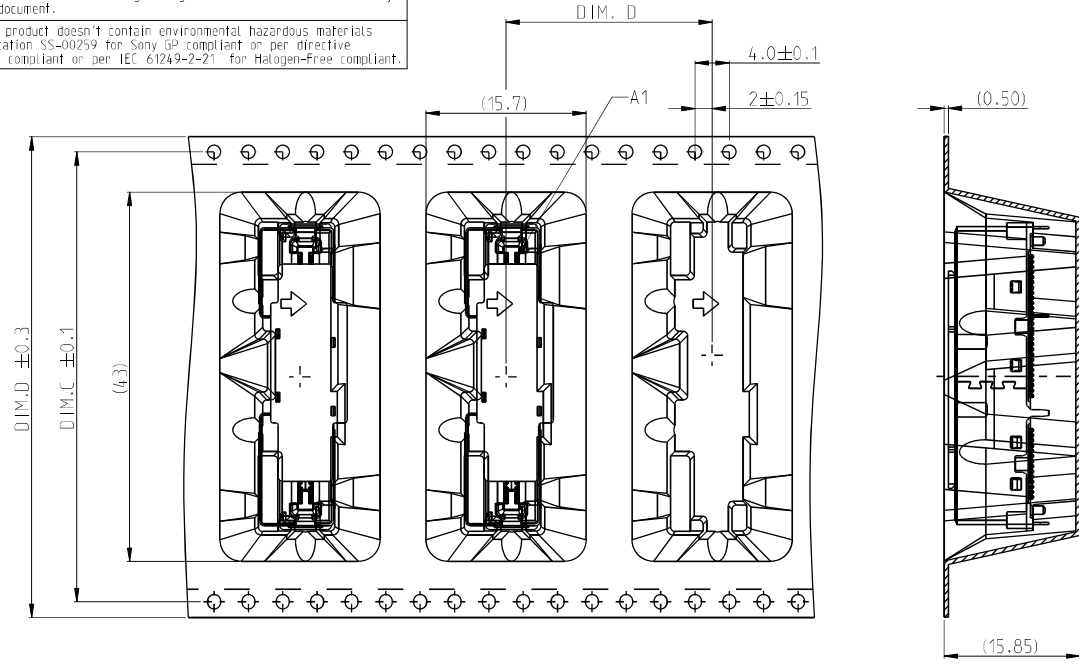


UNIT	MM	SIZE	A3
SCALE	NA	SHEET	2 OF 3

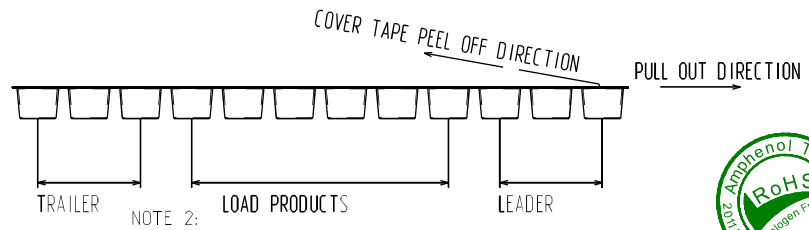
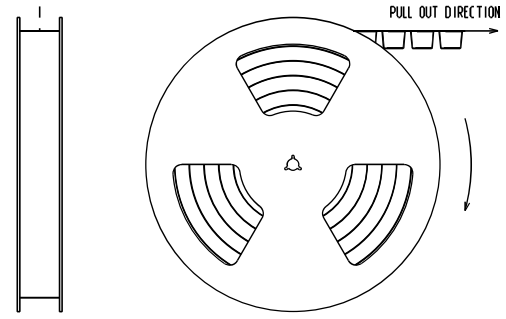
This document is the property of Amphenol Corporation and is delivered on the express condition that it is not to be disclosed, reproduced or used, in whole or in part, for manufacture or sale by anyone other than Amphenol Corporation without its prior consent, and that no right is granted to disclose or to use any information in this document.

The marking on this product doesn't contain environmental hazardous materials per Material Specification SS-00259 for Sony GP compliant or per directive 2011/65/EU for RoHS compliant or per IEC 61249-2-21 for Halogen-Free compliant.

REVISIONS				
SYM	ECN No.	DESCRIPTION	DATE	BY
AX10	NA	1. ADDED CONTROL DIMENSIONS 2. ADDED PLASTIC COLOR IN NOTE	03/27/2020	JOAN LU
AX11	NA	ADDED NOTE IN PCB LAYOUT	05/11/2020	JOAN LU
AX12	NA	REVISED DRAWING	05/22/2020	JOAN LU
AX13	NA	UPDATED PULL OUT DIRECTION OF PACKAGE	11/20/2020	JOAN LU



PART NUMBER	PACKING CODE	PACKING TYPE	DIM. B	DIM.C	DIM.D	REEL (Q'TY)	CARTON (PCS)	PICK AND PLACE
G64VX2XX2HR	2	TAPE AND REEL	56	52.4	24	3	465	WITH CAP
G64VX2XXBHR	B	TAPE AND REEL	56	52.4	24	3	465	NONE
G64VX2XX3HR	3	TAPE AND REEL	56	52.4	20	3	570	WITH CAP



- NOTE 2:
- CARTON SIZE 340L X 340W X 240H
  - PREFER TO AMTA LABELING STANDARD.
  - CARTON CLOSURES MUST BE SEALED WITH TAPE.

NOTE 1:

- MATERIAL:  
CARRIER TAPE: POLYSTYRENE, BLACK  
COVER TAPE: TRANSPARENT POLYSTYRENE  
REEL: POLYSTYRENE, BLACK
- ALL TAPE AND REEL SPECIFICATION FOLLOW EIA-481 STANDARD.
- THIS PRODUCT DOESN'T CONTAIN ENVIRONMENTAL HAZARDOUS PER DIRECTIVE 2002/95/EC FOR RoHS.

TOLERANCE	DRAWN	APPROVALS	DATE	TITLE
X. X.X ±0.30 X.XX ±0.20 X.XXX ±0.10	DESIGNED	Joan Lu	11/20/2020	EXTREMEPORT Z-LINK 2C, 0.6 PITCH, VERTICAL STANDARD, SMT TYPE
	CHECKED	Sondra Sang	11/20/2020	
	APPROVED	Hank Hsu	11/20/2020	
ANGULAR ±2°	DWG TYPE	CUST DWG	PROJECT CODE	TXXX
UNLESS OTHERWISE SPECIFIED				

UNIT	SIZE	PART No.
MM	A3	G64VX2XXXHR

SCALE	SHEET	DWG No.	REV.
NA	3 OF 3	G64VX2XXXHR	AX13

**Amphenol®**  
Amphenol Corporation  
Amphenol Taiwan Corporation