

This document is the property of Amphenol Corporation and is delivered on the express condition that is not to be disclosed, reproduced or used, in whole or in part, for manufacture or sale by anyone other than Amphenol Corporation without its prior consent, and that no right is granted to disclose or to use any information in this document.

The marking on this product doesn't contain environmental hazardous materials per directive 2011/65/EU & 2015/863/EU for RoHS compliant and per IEC 61249-2-21 for Halogen-Free compliant.

FOR REFERENCE ONLY

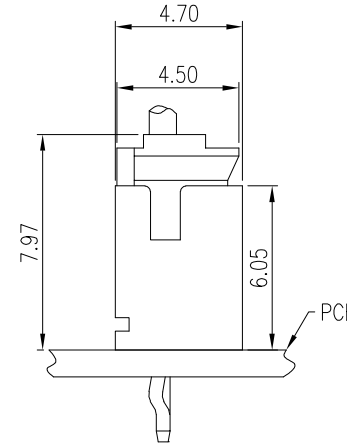
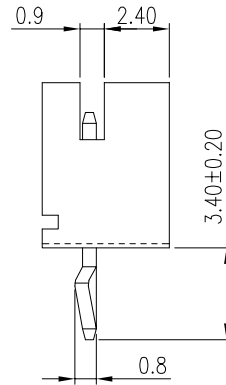
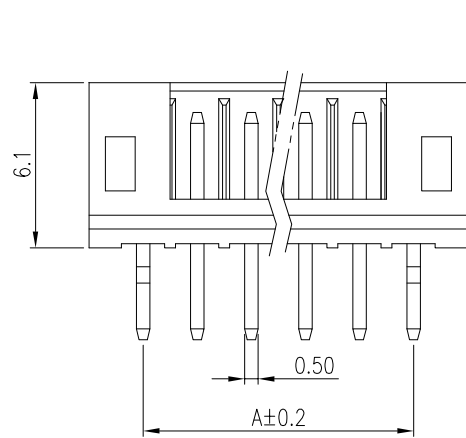
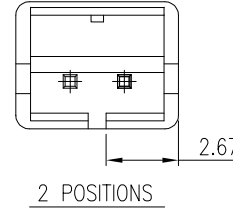
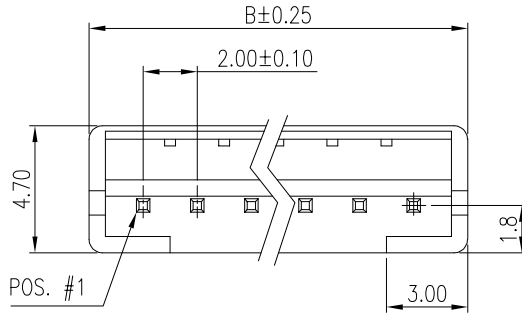


REVISIONS

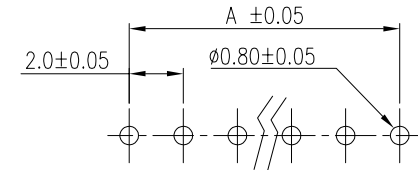
SYM	ECN No.	DESCRIPTION	DATE	BY
A		RELEASE FOR RoHS	2005-05-24	Raymond Chao
B	NE-05310	ADDED PLASTIC STYLE NO. IN NOTE	2005-09-29	Henry Ko
C	NE-09134	MODIFIED P/N	2009-07-30	Arron Lin
D	NE-09134	MODIFIED DIM & P/N	2009-08-03	Arron Lin
E	NE-15118	ADDED ASSEMBLY DRAWING & PKG	2015-09-23	Roger Tsai
F	NE-16219	ADDED 15u"/30u" GOLD OPTION	2016-09-26	Roger Tsai
A1X1	EDSR#2207	ADD G/F PLATING OPTION	2022-06-15	Sandy Wu
A1X2	EDSR#12662	ADD INSULATOR COLOR: BLUE	2022-11-23	Roy Lin

NOTES:

1. INSULATOR: NYLON 66 (CM3004-V0), UL 94V-0, COLOR- OPTION
2. PIN CONTACTS: BRASS
3. CONTACT FINISH: TIN OVER NICKEL PLATED
4. APPLY TO PCB THICKNESS 0.8~1.6MM
5. PRODUCT SPECIFICATION REFER TO : PS-7332.
6. RECOMMENDED HOUSING PN: G862HXX1AEU; TERMINAL PN: G862C014AEU BOARD MOUNT P/N: G861XXX1XYEU
7. THIS PRODUCT DOESN'T CONTAIN ENVIRONMENTAL HAZARDOUS PER DIRECTIVE 2011/65/EU & 2015/863/EU FOR RoHS COMPLIANT AND PER IEC 61249-2-21 FOR HALOGEN-FREE COMPLIANT.



PART NO. G861 XX X 1 X YEU
 POSITION CODE SEE TABLE
 CONTACT FINISH:
 1: 100u" TIN
 2: G/F
 4: 15u"GOLD
 5: 30u"GOLD
 COLOR:
 1: WHITE
 B: BLUE



RECOMMENDED PCB LAYOUT
 ALL TOLERANCE ±0.05

NO. OF POSITIONS	DIMENSIONS (MM)	
	A	B
2	2.00	6.00
3	4.00	8.00
4	6.00	10.00
5	8.00	12.00
6	10.00	14.00
7	12.00	16.00
8	14.00	18.00
9	16.00	20.00
10	18.00	22.00
11	20.00	24.00
12	22.00	26.00
13	24.00	28.00
14	26.00	30.00
15	28.00	32.00
16	30.00	34.00

TOLERANCE	APPROVALS	DATE	TITLE		Amphenol®			
X. X.X ±0.30 X.XX ±0.20 X.XXX ±0.10	DRAWN Roy Lin	2022-11-23	G861 SERIES, PROTECTED HEADER 2.00 PITCH, SINGLE ROW STRAIGHT, PCB MOUNT		Amphenol Corporation Amphenol Taiwan Corporation			
	CHECKED Joseph Jiang	2022-11-23						
	APPROVED Roger Tsai	2022-11-23						
ANGULAR ±1°	DWG TYPE CUST DWG	PROJECT CODE PHD	UNIT mm	SIZE A3	PART No. G861XXX1XYEU			
UNLESS OTHERWISE SPECIFIED			SCALE NA	SHEET 1 OF 2	DWG No. G861XXX1XYEU		REV. A1X2	

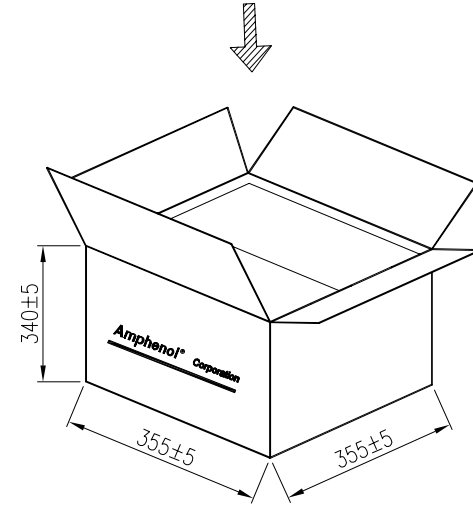
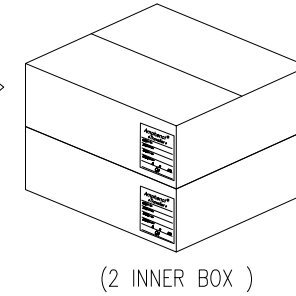
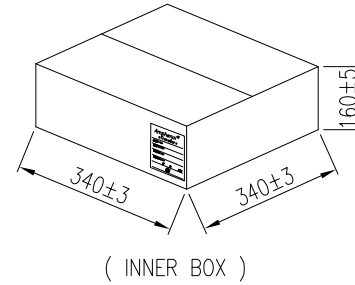
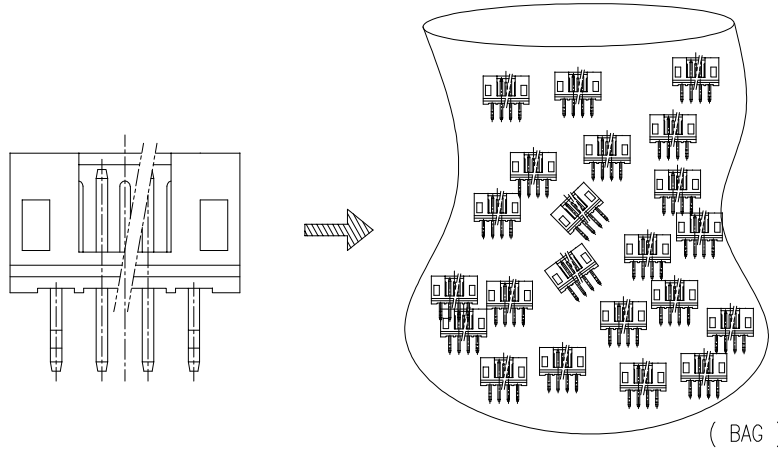
This document is the property of Amphenol Corporation and is delivered on the express condition that is not to be disclosed, reproduced or used, in whole or in part, for manufacture or sale by anyone other than Amphenol Corporation without its prior consent, and that no right is granted to disclose or to use any information in this document.

The marking on this product doesn't contain environmental hazardous materials per directive 2011/65/EU & 2015/863/EU for RoHS compliant and per IEC 61249-2-21 for Halogen-Free compliant.

FOR REFERENCE ONLY



REVISIONS				
SYM	ECN No.	DESCRIPTION	DATE	BY
A		RELEASE FOR RoHS	2005-05-24	Raymond Chao
B	NE-05310	ADDED PLASTIC STYLE NO. IN NOTE	2005-09-29	Henry Ko
C	NE-09134	MODIFIED P/N	2009-07-30	Arron Lin
D	NE-09134	MODIFIED DIM & P/N	2009-08-03	Arron Lin
E	NE-15118	ADDED ASSEMBLY DRAWING & PKG	2015-09-23	Roger Tsai
F	NE-16219	ADDED 15u"/30u" GOLD OPTION	2016-09-26	Roger Tsai
A1X1	EDSR#2207	ADD G/F PLATING OPTION	2022-06-15	Sandy Wu
A1X2	EDSR#12662	ADD INSULATOR COLOR: BLUE	2022-11-23	Roy Lin



PART NO.	POS	PCS./BAG	PCS/INNER BOX	PCS/CARTON
G86102111YEU	2	1000	50K PCS.	50KX2=100K PCS.
G86103111YEU	3	1000	36K PCS.	36KX2=72K PCS.
G86104111YEU	4	1000	24K PCS.	24KX2=48K PCS.
G86105111YEU	5	1000	20K PCS.	20X2=40K PCS.
G86106111YEU	6	1000	16K PCS.	16X2=32K PCS.
G86107111YEU	7	1000	16K PCS.	16X2=32K PCS.
G86108111YEU	8	1000	15K PCS.	15X2=30K PCS.
G86109111YEU	9	1000	11K PCS.	11X2=22K PCS.
G86110111YEU	10	1000	10K PCS.	10X2=20K PCS.
G86111111YEU	11	1000	9K PCS.	9KX2=18K PCS.
G86112111YEU	12	1000	9K PCS.	9KX2=18K PCS.
G86113111YEU	13	1000	8K PCS.	8KX2=16K PCS.
G86114111YEU	14	1000	8K PCS.	8KX2=16K PCS.
G86115111YEU	15	1000	7K PCS.	7KX2=14K PCS.
G86116111YEU	16	1000	6K PCS.	6KX2=12K PCS.

TOLERANCE	APPROVALS	DATE	TITLE		PART No.	
X. ±0.30 X.X ±0.20 X.XX ±0.20 X.XXX ±0.10	DRAWN Roy Lin	2022-11-23	G861 SERIES, PROTECTED HEADER 2.00 PITCH, SINGLE ROW STRAIGHT, PCB MOUNT		Amphenol® Amphenol Corporation Amphenol Taiwan Corporation	
	CHECKED Joseph Jiang	2022-11-23				
	APPROVED Roger Tsai	2022-11-23				
ANGULAR ±1°	DWG TYPE CUST DWG	PROJECT CODE PHD	UNIT mm	SIZE A3	PART No. G861XXX1XYEU	
UNLESS OTHERWISE SPECIFIED			SCALE NA	SHEET 2 OF 2	DWG No. G861XXX1XYEU	REV. A1X2

