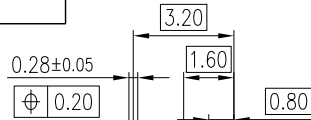


This document is the property of Amphenol Corporation and is delivered on the express condition that it is not to be disclosed, reproduced or used, in whole or in part, for manufacture or sale by anyone other than Amphenol Corporation without its prior consent, and that no right is granted to disclose or to use any information in this document.

The marking on this product doesn't contain environmental hazardous materials per Material Specification 55-00259 for Sony GP compliant or per directive 2011/65/EU for RoHS compliant.

ORIGINAL

REVISIONS				
SYM	ECN No.	DESCRIPTION	DATE	APPROVED
A	NE-13167	RELEASE TO PRODUCTION	10/09/2013	Roger Tsai
B	NE-14042	MODIFY SHELL HOOK	03/19/2014	Roger Tsai



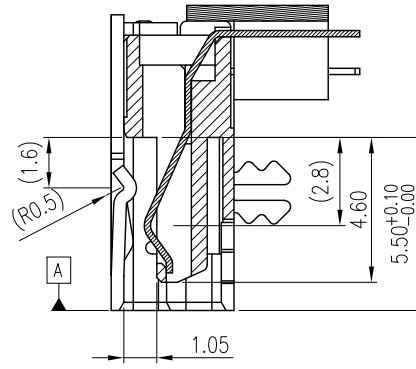
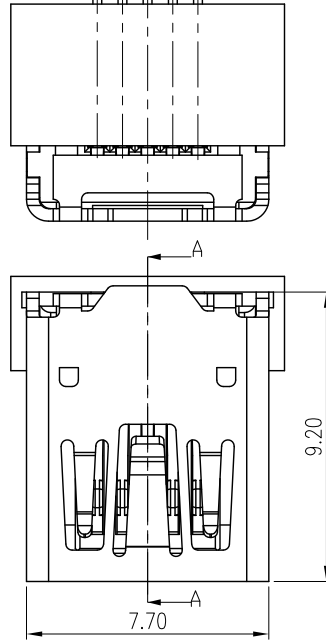
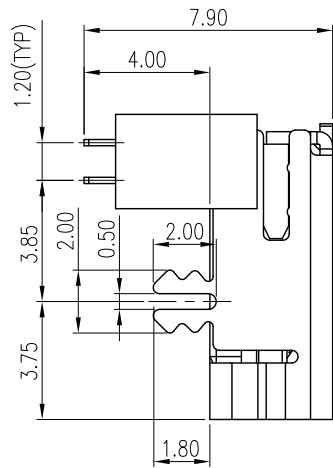
PART NO. GMSB052X1X2Y1EU

CONTACT FINISH
 0: GOLD FLASH
 2: 30 μ" GOLD

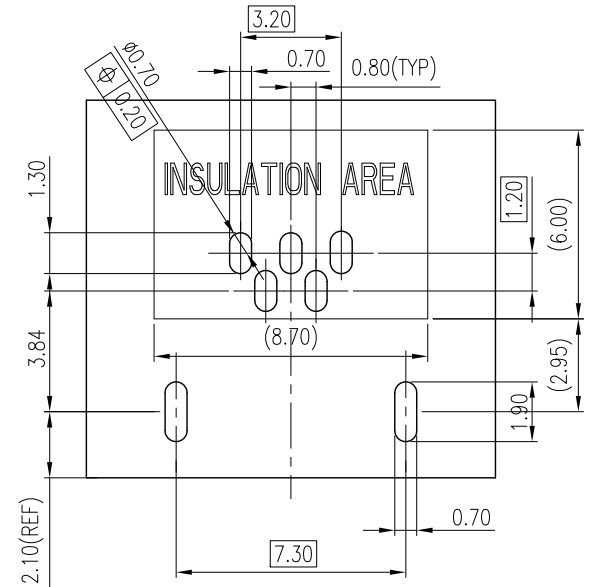
PACKING OPTION
 0: TUBE

NOTES:

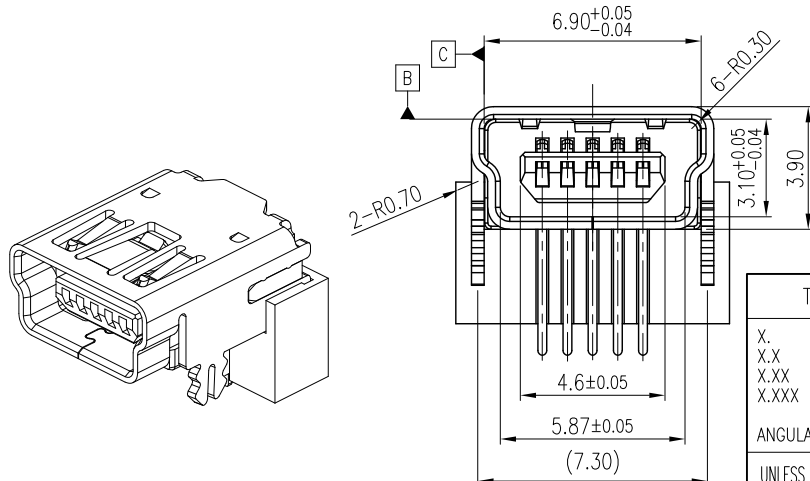
- MATERIAL:
 HOUSING: HIGH TEMPERATURE THERMAL PLASTIC, LCP, UL94V-0, COLOR: BLACK.
 TERMINAL: COPPER ALLOY.
 SHELL: COPPER ALLOY.
 SPACER: HIGH TEMPERATURE THERMAL PLASTIC, LCP, UL94V-0, COLOR: BLACK.
- FINISH:
 TERMINAL:
 CONTACT AREA: GOLD PLATING OPTION;
 SOLDERING AREA: TIN PLATING 100 μ" THICKNESS MIN.;
 UNDER PLATING: NICKEL PLATING 50 μ" THICKNESS MIN. OVERALL.
 SHELL:
 SOLDERING AREA: TIN PLATING 100 μ" THICKNESS MIN.;
 UNDER PLATING: NICKEL PLATING 50 μ" THICKNESS MIN. OVERALL.
- PACKING IS PER AMTA PACKING SPECIFICATION PKS-0001.
- THIS PRODUCT DOESN'T CONTAIN ENVIRONMENTAL HAZARDOUS PER DIRECTIVE 2011/65/EU FOR RoHS COMPLIANT.



SECTION A-A

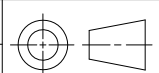


RECOMMEND PC BOARD LAYOUT
 ALL TOLERANCE ARE ±0.05



TOLERANCE	DRAWN	APPROVALS	DATE	TITLE	UNIT	SIZE	PART No.
X.	DESIGNED	Aqua Chou	03/19/2014	GMSB SERIES, MINI USB 5 POS. B TYPE R/A, PCB MOUNT	mm	A3	GMSB052X1X2Y1EU
X.X	CHECKED	Roger Tsai	03/19/2014				
X.XX	APPROVED	Roger Tsai	03/19/2014				
X.XXX	DWG TYPE	CUST DWG	PROJECT CODE				
ANGULAR ±1°					SCALE	SHEET	DWG No.
UNLESS OTHERWISE SPECIFIED			OTHER		NA	1 OF 2	GMSB052X1X2Y1EU

Amphenol[®]
 Amphenol Corporation
 Amphenol Taiwan Corporation



REV. B

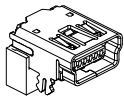
This document is the property of Amphenol Corporation and is delivered on the express condition that is not to be disclosed, reproduced or used, in whole or in part, for manufacture or sale by anyone other than Amphenol Corporation without its prior consent, and that no right is granted to disclose or to use any information in this document.

The marking on this product doesn't contain environmental hazardous materials per Material Specification 55-00259 for Sony GP compliant or per directive 2011/65/EU for RoHS compliant.

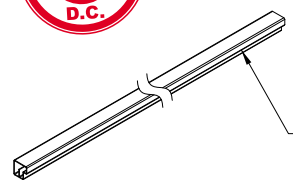
ORIGINAL



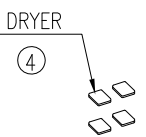
REVISIONS				
SYM	ECN No.	DESCRIPTION	DATE	APPROVED
A	NE-13167	RELEASE TO PRODUCTION	10/09/2013	Roger Tsai
B	NE-14042	MODIFY SHELL HOOK	03/19/2014	Roger Tsai



MINI USB B TYPE CONNECTOR

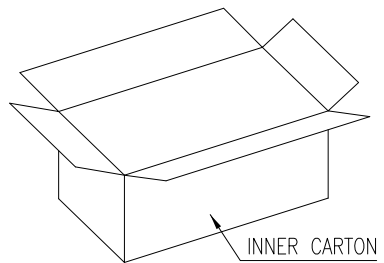


① TUBE (50 PCS/TUBE)

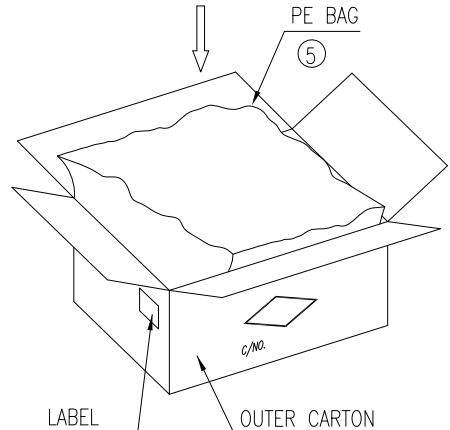


④

NOTES:
 1. PACKING STYLE 50 PCS/TUBE
 5,000 PCS/INNER CARTON
 10,000 PCS/OUTER CARTON
 1. WEIGHT: G.W.: 11.4 Kg/OUTER CARTON
 N.W.: 7.6 Kg/OUTER CARTON

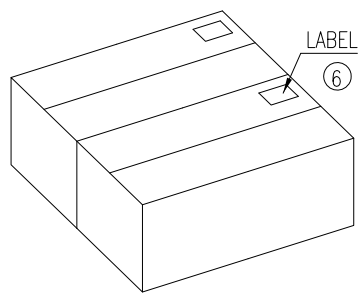


②



⑦

③



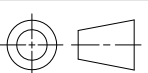
⑥

NO.	PACKING NAME	PCS/T	T/CTN.	UNIT	NOTE
7	LABEL	1		PCS	
6	LABEL	2		PCS	
5	PE BAG	1		PCS	W900*L800mm
4	DRYER	4		BAG	
3	OUTER CARTON	1		PCS	480*360*120mm
2	INNER CARTON	2		PCS	460*170*100mm
1	TUBE	50	200	PCS	11.7*11.4*450mm

TOLERANCE	DRAWN	APPROVALS	DATE	TITLE	UNIT	SCALE	SIZE	PART No.
X. X.X ±0.30 X.XX ±0.20 X.XXX ±0.10	DESIGNED	Aqua Chou	03/19/2014	GMSB SERIES, MINI USB 5 POS. B TYPE R/A, PCB MOUNT	mm	NA	A3	GMSB052X1X2Y1EU
	CHECKED	Roger Tsai	03/19/2014					
	APPROVED	Roger Tsai	03/19/2014					
ANGULAR ±1°	DWG TYPE	CUST DWG	PROJECT CODE	OTHER				
UNLESS OTHERWISE SPECIFIED								

Amphenol®

Amphenol Corporation
Amphenol Taiwan Corporation



REV. B
 SHEET 2 OF 2
 DWG No. GMSB052X1X2Y1EU