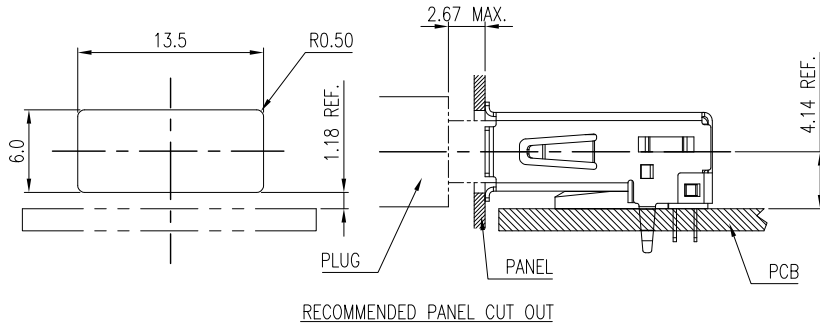
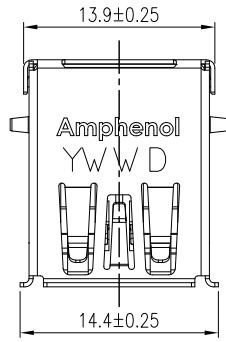


This document is the property of Amphenol Corporation and is delivered on the express condition that is not to be disclosed, reproduced or used, in whole or in part, for manufacture or sale by anyone other than Amphenol Corporation without its prior consent, and that no right is granted to disclose or to use any information in this document.

The marking on this product doesn't contain environmental hazardous materials per directive 2011/65/EU & 2015/863/EU for RoHS compliant and per IEC 61249-2-21 for Halogen-Free compliant.

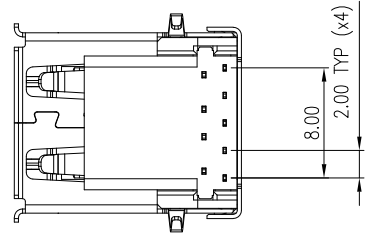
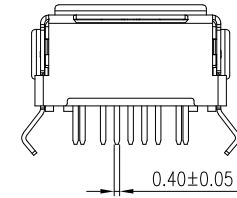
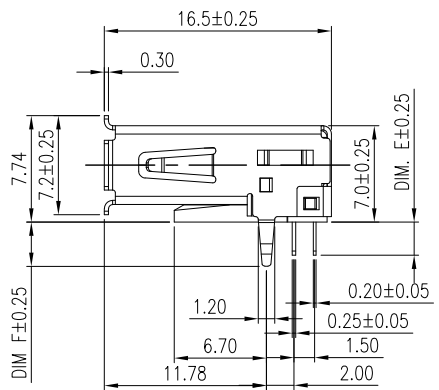
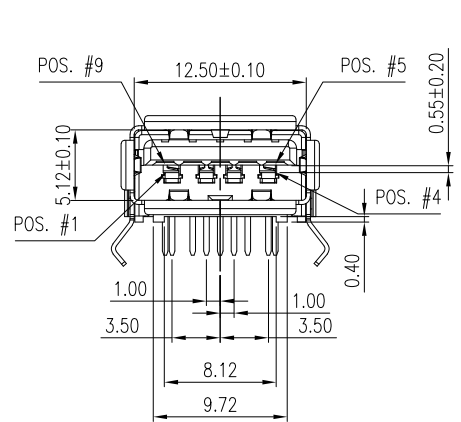
ORIGINAL

REVISIONS				
SYM	ECN No.	DESCRIPTION	DATE	BY
F1	NE-17304	ADD PANEL CUT OUT	2017-12-30	Sondra Sang
A2	NE-21035	UPDATE 7.2&14.4 TOLERANCE AND ADD SPRING DIM	2021-03-15	Debby Hung
B2	NE-22027	UPDATE STANDOFF/SHELL/TERMINAL/PACKING	2022-03-18	Debby Hung



PIN #	SIGNAL NAME
1	VBUS
2	D-
3	D+
4	GND
5	SSRX-
6	SSRX+
7	GND_DRAIN
8	SSTX-
9	SSTX+
SHELL	SHIELD

PIN ASSIGNMENT



PART NUMBER: GSB3 111 X X X HR

CONTACT FINISH

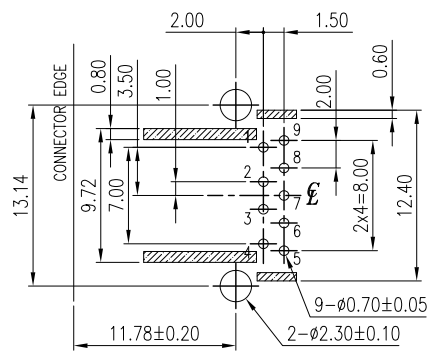
- 1: GOLD FLASH
- 2: 15μ" GOLD
- 3: 30μ" GOLD

SOLDER TAIL LENGTH / PACKAGE OPTION

PART NO	DIM. E	DIM. F	PACKAGE
GSB3111XXHR	2.40	3.20	TRAY
GSB3111XX1HR	3.00	3.60	TRAY
GSB3111XX3HR	2.17	3.20	TRAY
GSB3111XX5HR	2.40	3.20	T&R
GSB3111XX6HR	3.00	3.60	T&R
GSB3111XX7HR	2.17	3.20	T&R

INSULATOR AND COLOR

- 1: LCP, Blue
- 3: LCP, Black



RECOMMENDED PCB LAYOUT- TOP VIEW  
(OTHER GENERAL TOLERANCES: ±0.05)

- NOTES:
- HOUSING: HIGH TEMPERATURE THERMOPLASTIC OPTIONS UL 94V-0 COLOR-OPTIONS
  - BOTTOM COVER: HIGH TEMPERATURE THERMOPLASTIC, UL 94V-0, COLOR:OPTIONS
  - CONTACT: COPPER ALLOY, U2 0.25mm/U3 0.20mm THICKNESS, SELECTIVE GOLD PLATING ON CONTACT AREA, 120μ" MIN. MATTE TIN PLATED ON SOLDERING TAIL, 80μ" MIN. NICKEL UNDER-PLATED OVERALL
  - METAL SHELL: STAINLESS STEEL, 0.3mm THICKNESS, 50μ" MIN. NICKEL UNDER-PLATED OVERALL
  - THIS PRODUCT DOESN'T CONTAIN ENVIRONMENTAL HAZARDOUS PER DIRECTIVE 2011/65/EU & 2015/863/EU FOR RoHS COMPLIANT. AND PER IEC 61249-2-21 FOR HALOGEN-FREE COMPLIANT.
  - P/N: GSB31113XXXHR PRODUCT SPECIFICATION REFER TO: PS-7411  
P/N: GSB31111XXXHR/GSB31112XXXHR PRODUCT SPECIFICATION REFER TO: PS-7440

TOLERANCE	APPROVALS	DATE	TITLE	UNIT	SIZE	PART No.
X. X.X ±0.30 X.XX ±0.20 X.XXX ±0.10	DRAWN Debby Hung	2022-03-18	USB 3.0 CONNECTOR STANDARD A R/A DIP TYPE	mm	A3	GSB3111XXXHR
ANGULAR ±1°	CHECKED Sandy Wu	2022-03-18		SCALE NA	SHEET 1 OF 3	
UNLESS OTHERWISE SPECIFIED	APPROVED Roger Tsai	2022-03-18		DWG No. GSB3111XXXHR	REV. B2	
	DWG TYPE CUST DWG	PROJECT CODE OTHER				

This document is the property of Amphenol Corporation and is delivered on the express condition that is not to be disclosed, reproduced or used, in whole or in part, for manufacture or sale by anyone other than Amphenol Corporation without its prior consent, and that no right is granted to disclose or to use any information in this document.

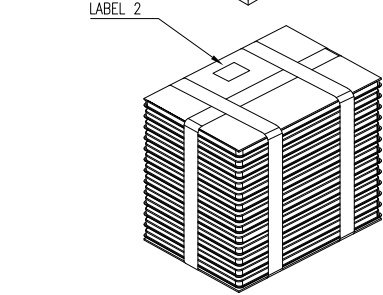
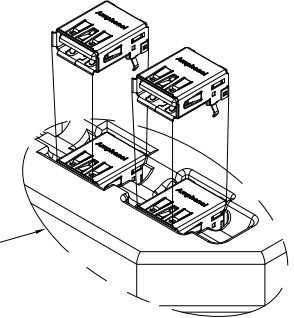
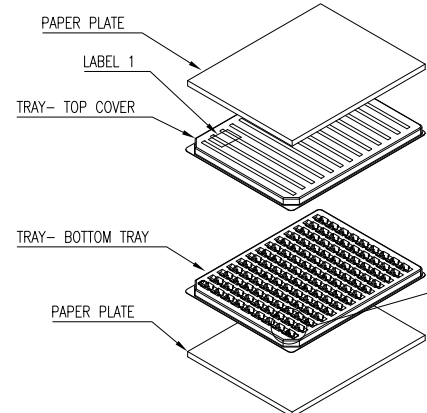
The marking on this product doesn't contain environmental hazardous materials per directive 2011/65/EU & 2015/863/EU for RoHS compliant and per IEC 61249-2-21 for Halogen-Free compliant.



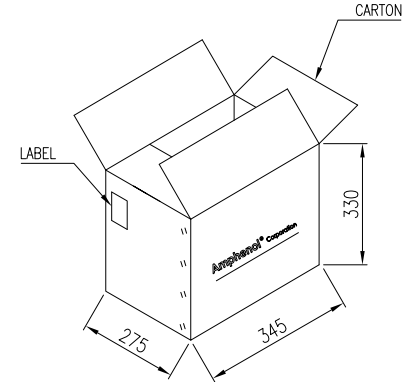
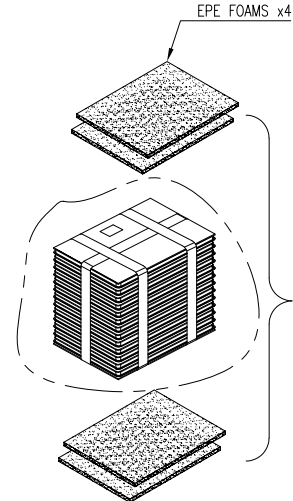
ORIGINAL



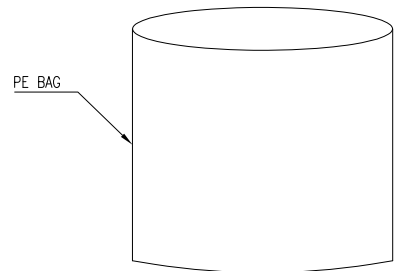
REVISIONS				
SYM	ECN No.	DESCRIPTION	DATE	BY
F1	NE-17304	ADD PANEL CUT OUT	2017-12-30	Sondra Sang
A2	NE-21035	UPDATE 7.2&14.4 TOLERANCE AND ADD SPRING DIM	2021-03-15	Debby Hung
B2	NE-22027	UPDATE STANDOFF/SHELL/TERMINAL/PACKING	2022-03-18	Debby Hung



TOTAL 20 LAYERS TRAYS



- NOTES:
1. MATERIAL: TRAY- PET
  2. THICKNESS: 0.80 mm MINIMUM
  3. THE BARCODE MUST BE 3 OF 9 BARCODE
  4. COMPONENTS LOAD PER THE TRAY: 117 PCS.
  5. THIS PRODUCT DOESN'T CONTAIN ENVIRONMENTAL HAZARDOUS MATERIALS PER DIRECTIVE 2011/65/EU FOR RoHS COMPLIANT
  6. TRAY SIZE : 333 X 265 X 15.6 mm



PART NO.	PCS. / TRAY	TRAY / CARTON	N.W.	G.W.
GSBX111XXXHR	117 PCS.	117X20=2340 PCS.	6.0	9.4

(\*\*\*) FOR REFERENCE

TOLERANCE	APPROVALS	DATE	TITLE		PART No.	
X. ±0.30	DRAWN Debby Hung	2022-03-18	USB 3.0 CONNECTOR STANDARD A R/A DIP TYPE		<b>Amphenol®</b> Amphenol Corporation Amphenol Taiwan Corporation	
X.X ±0.20	CHECKED Sandy Wu	2022-03-18				
X.XXX ±0.10	APPROVED Roger Tsai	2022-03-18				
ANGULAR ±1°	DWG TYPE CUST DWG	PROJECT CODE OTHER		UNIT mm	SIZE A3	PART No. GSB3111XXXHR
UNLESS OTHERWISE SPECIFIED				SCALE NA	SHEET 2 OF 3	DWG No. GSB3111XXXHR
						REV. B2

This document is the property of Amphenol Corporation and is delivered on the express condition that is not to be disclosed, reproduced or used, in whole or in part, for manufacture or sale by anyone other than Amphenol Corporation without its prior consent, and that no right is granted to disclose or to use any information in this document.

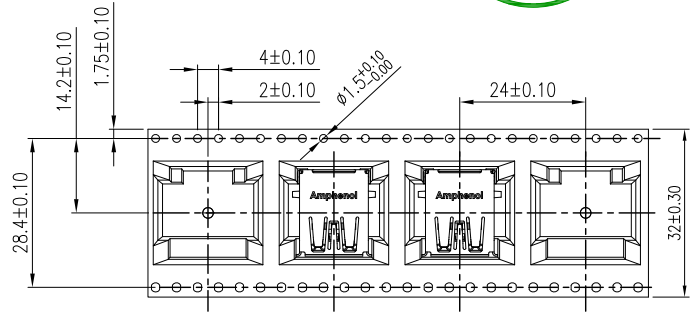
The marking on this product doesn't contain environmental hazardous materials per directive 2011/65/EU & 2015/863/EU for RoHS compliant and per IEC 61249-2-21 for Halogen-Free compliant.



ORIGINAL

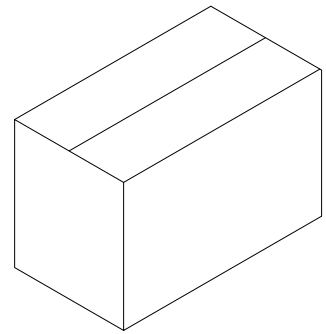
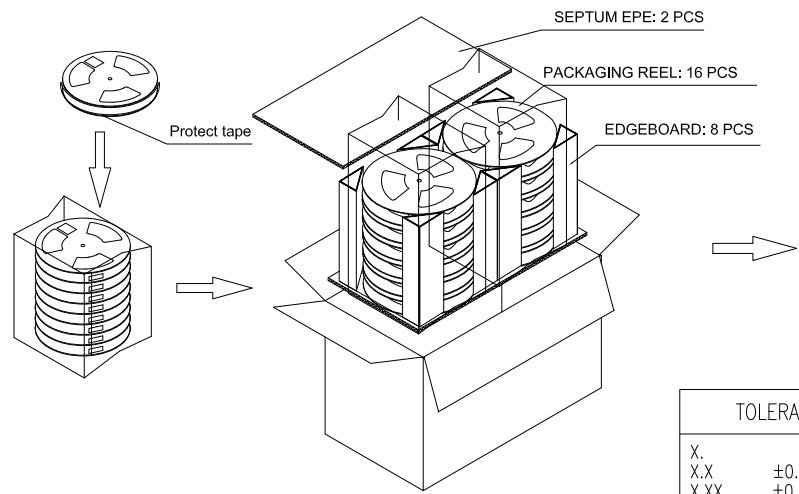
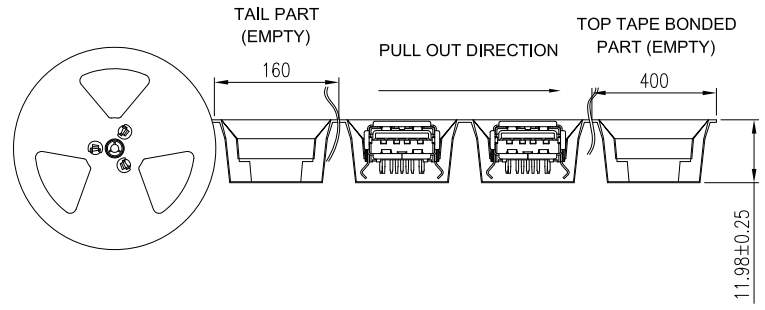


REVISIONS				
SYM	ECN No.	DESCRIPTION	DATE	BY
F1	NE-17304	ADD PANEL CUT OUT	2017-12-30	Sondra Sang
A2	NE-21035	UPDATE 7.2&14.4 TOLERANCE AND ADD SPRING DIM	2021-03-15	Debby Hung
B2	NE-22027	UPDATE STANDOFF/SHELL/TERMINAL/PACKING	2022-03-18	Debby Hung



REEL SIZE	PARTS PER CARTON<S.P.Q>	PARTS PER REEL	TOTEL REEL PER CARTON
Ø330	3520	220	16

- NOTES:
1. STAPLES SHOULD ONLY BE USED TO SET UP CARTON. ALL CARTON CLOSURES MUST BE DONE WITH TAPE.
  2. FILL PACKAGING TRAYS WITH THE QUANTITIES AS INDICATED IN THE CHART.
  3. SHIPPING CARTON DIMENSION: 690 X 360 X 325mm.
  4. NET WEIGHT: 8.0 KG.  
GROSS WEIGHT: 14.4 KG.



TOLERANCE	APPROVALS	DATE	TITLE		PART No.		
X. ±0.30	DRAWN Debby Hung	2022-03-18	USB 3.0 CONNECTOR STANDARD A R/A DIP TYPE		Amphenol® Amphenol Corporation Amphenol Taiwan Corporation		
X.X ±0.20	CHECKED Sandy Wu	2022-03-18					
X.XXX ±0.10	APPROVED Roger Tsai	2022-03-18					
ANGULAR ±1°	DWG TYPE CUST DWG	PROJECT CODE OTHER	UNIT mm	SCALE NA	SIZE A3	PART No. GSB3111XXXHR	
UNLESS OTHERWISE SPECIFIED			SHEET 3 OF 3	DWG No. GSB3111XXXHR		REV. B2	