

This document is the property of Amphenol Corporation and is delivered on the express condition that is not to be disclosed, reproduced or used, in whole or in part, for manufacture or sale by anyone other than Amphenol Corporation without its prior consent, and that no right is granted to disclose or to use any information in this document.

The marking on this product doesn't contain environmental hazardous material and must follow one or more specifications per Material Specification SS-00259 for Sony GP compliant or per directive 2011/65/EC for RoHS compliant or per IEC 61249-2-21 for Halogen Free compliant.



ORIGINAL

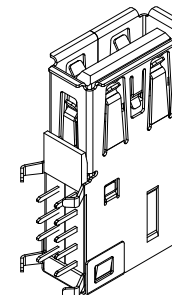
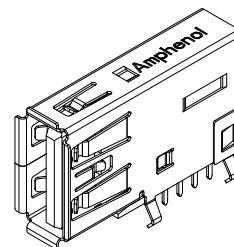
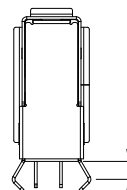
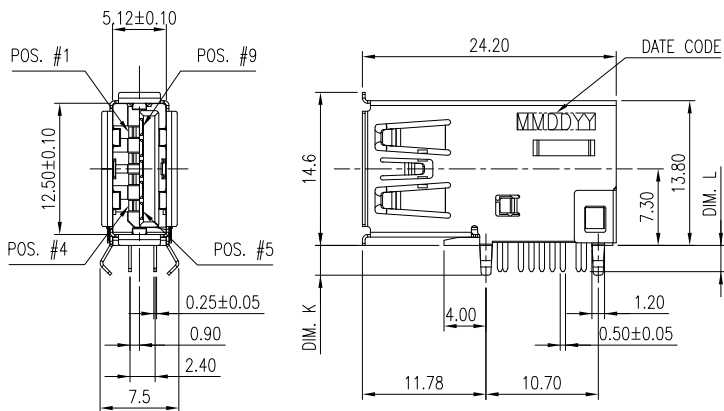
REVISIONS				
SYM	ECN No.	DESCRIPTION	DATE	BY
A	NE-14122	RELEASE TO PRODUCTION	06/20/2014	Sondra Sang
B	NE-17028	ADDED PANEL CUTOUT	02/10/2017	Sondra Sang

PART NUMBER:
GSB4 116 3 4 X HR

CONTACT FINISH
3: 30μ" GOLD

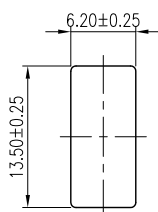
PLASTIC MATERIAL
4: NYLON, BLUE

SOLDER TAIL LENGTH
1. DIM. L=1.90 mm
2. DIM. L=2.40 mm
3. DIM. L=2.80 mm
4. DIM. L=3.30 mm

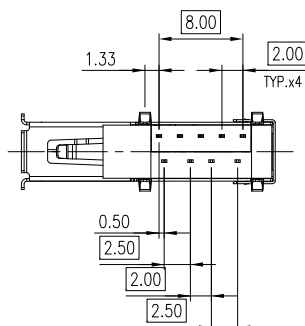


PIN #	SIGNAL NAME
1	VBUS
2	D-
3	D+
4	GND
5	SSRX-
6	SSRX+
7	GND_DRAIN
8	SSTX-
9	SSTX+
SHELL	SHIELD

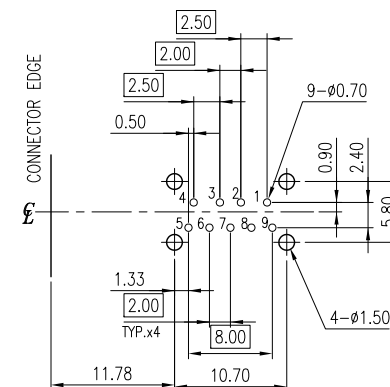
PIN ASSIGNMENT



RECOMMENDED PANEL CUTOUT



DIM. J	DIM. K	DIM. L	PCB THICKNESS	PROCESS
1.7 mm	2.8 mm	2.40mm	1.6mm	WAVE SOLDERING
1.7 mm	2.8 mm	1.90mm	1.6mm	PIP
2.6 mm	3.8 mm	3.30mm	2.5mm	WAVE SOLDERING
2.6 mm	3.8 mm	2.80mm	2.5mm	PIP



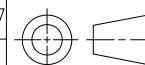
RECOMMENDED PCB LAYOUT- TOP VIEW
(OTHER GENERAL TOLERANCES: ±0.05)

NOTES:

- HOUSING: HIGH TEMPERATURE THERMOPLASTIC, UL 94V-0, COLOR- BLUE
- CONTACT: COPPER ALLOY, 0.25mm THICKNESS, 30μ" MIN. GOLD PLATED ON CONTACT AREA, 120μ" MIN. MATTE TIN PLATED ON SOLDERING TAIL, 80μ" MIN. NICKEL UNDER-PLATED OVERALL
- METAL SHELL: STAINLESS STEEL, 0.25mm THICKNESS, 30μ" MIN. NICKEL UNDER-PLATED OVERALL
- REAR SHELL: STAINLESS STEEL, 0.25mm THICKNESS
- THIS PRODUCT DOESN'T CONTAIN ENVIRONMENTAL HAZARDOUS MATERIALS PER DIRECTIVE 2011/65/EC FOR RoHS AND PER IEC 61249-2-21 FOR HALOGEN FREE COMPLIANT.

TOLERANCE	APPROVALS	DATE	TITLE	UNIT	SCALE	SIZE	PART No.
X. X.X ±0.30 X.XX ±0.20 X.XXX ±0.10	DRAWN Sondra Sang	2/10/2017	USB 3.1 CONNECTOR STANDARD A, UPRIGHT DIP TYPE	mm	NA	A3	GSB4 116 34X HR
	CHECKED Chenny Yeh	2/10/2017					
ANGULAR ±1°	APPROVED Hank Hsu	2/10/2017					
UNLESS OTHERWISE SPECIFIED	DWG TYPE CUST DWG	PROJECT CODE T536				1 OF 1	GSB411634XHR

Amphenol[®]
Amphenol Corporation
Amphenol Taiwan Corporation



REVISIONS

REV. B

This document is the property of Amphenol Corporation and is delivered on the express condition that is not to be disclosed, reproduced or used, in whole or in part, for manufacture or sale by anyone other than Amphenol Corporation without its prior consent, and that no right is granted to disclose or to use any information in this document.

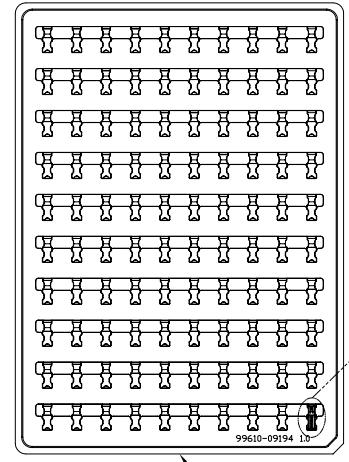
The marking on this product doesn't contain environmental hazardous material and must follow one or more specifications per Material Specification SS-00259 for Sony GP compliant or per directive 2011/65/EC for RoHS compliant or per IEC 61249-2-21 for Halogen Free compliant.



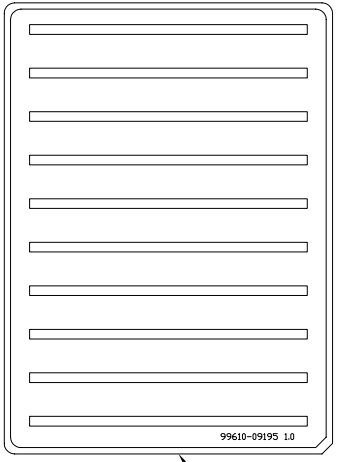
ORIGINAL



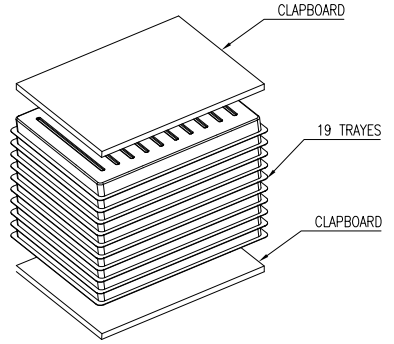
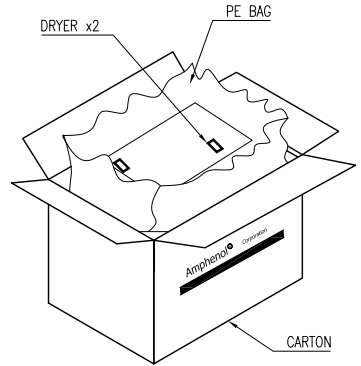
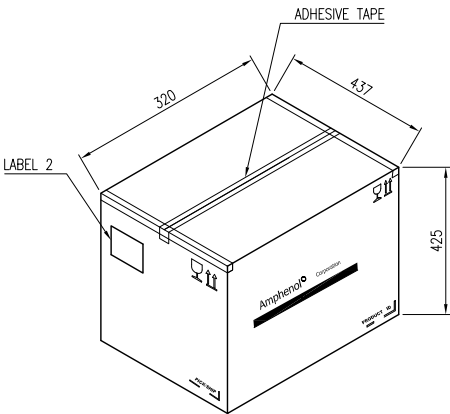
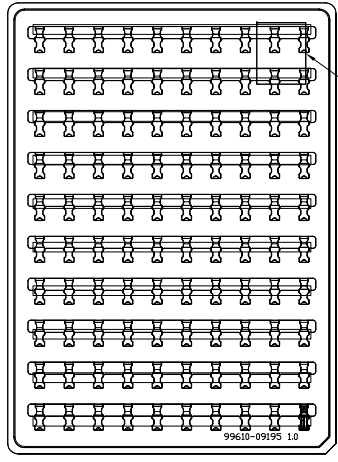
REVISIONS				
SYM	ECN No.	DESCRIPTION	DATE	BY
A	NE-14016	RELEASE TO PRODUCTION	01/24/2014	Sondra Sang
B	NE-17028	ADDED NOTE 5	02/10/2017	Sondra Sang



BOTTOM COVER
t=0.7mm MIN.



TOP COVER
t=0.5mm MIN.



P/N : GSB3116XXXHR P/N OPTIONAL

QTY : 100 LABEL 1 = QTY : 100

P/O : 411-012345-001 LABEL 2 = QTY : 1900

DATE : 07 / 31 / 2013 MM / DD / YYYY

G.W : 15.00 KG HF

Amphenol Taiwan Corporation

LABEL 1 & LABEL 2

PART NO.	PCS. / TRAY	TRAY / CARTCON	N.W.	G.W.
GSBX116XXXHR	100 PCS.	100X19=1900 PCS.	*	*

(***) FOR REFERENCE

- NOTES:
- MATERIAL: TRAY- PET
 - THE BARCODE MUST BE 3 OF 9 BARCODE
 - COMPONENTS LOAD PER THE TRAY: 100 PCS.
 - STORAGE CONDITION MUST FOLLOW MSL (MOISTURE SENSITIVITY LEVEL) 1
 - THIS PRODUCT DOESN'T CONTAIN ENVIRONMENTAL HAZARDOUS MATERIALS PER DIRECTIVE 2011/65/EC FOR RoHS COMPLIANT

TOLERANCE	APPROVALS	DATE	TITLE	UNIT	SCALE	SIZE	PART No.
X. ±0.20	DESIGNED Sondra Sang	2/10/2017	USB3.0/ 3.1 CONNECTORS A TYPE, UPRIGHT TRAY PACKING	mm	A3	1 OF 1	GSBX 116 XXX HR
X.X ±0.15	CHECKED Chenny Yeh	2/10/2017					
X.XX ±0.10	APPROVED Hank Hsu	2/10/2017					
X.XXX ±0.05	DWG TYPE ENG DWG	PROJECT CODE T536	UNIT mm	SCALE NA	SIZE A3	PART No. GSBX 116 XXX HR	
ANGULAR ±1°						DWG No. PKS_GSBX116P01HR	
UNLESS OTHERWISE SPECIFIED						REV. B	