



This document is the property of Amphenol Corporation and is delivered on the express condition that is not to be disclosed, reproduced or used, in whole or in part, for manufacture or sale by anyone other than Amphenol Corporation without its prior consent, and that no right is granted to disclose or to use any information in this document.

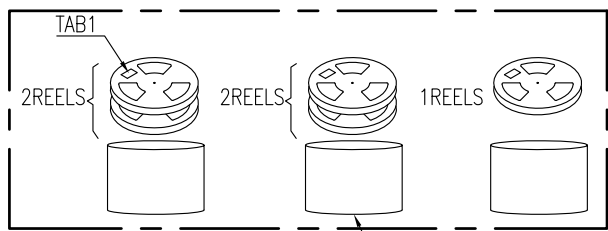
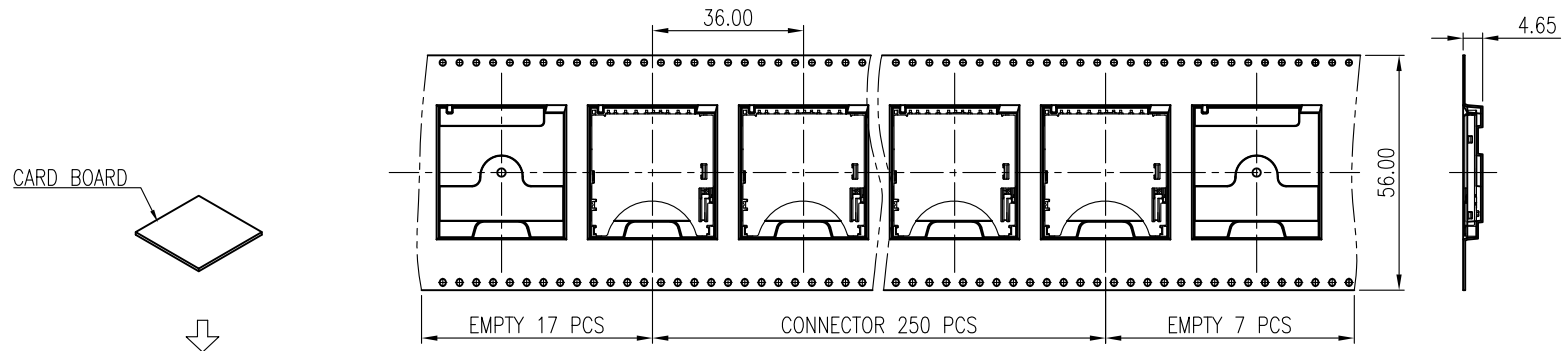
The marking on this product doesn't contain environmental hazardous materials per Material Specification 55-00259 for Sony GP compliant or per directive 2002/95/EC for RoHS compliant.



ORIGINAL



REVISIONS				
SYM	ECN No.	DESCRIPTION	DATE	APPROVED
A		APPROVED REVISION	12/19/2011	Roger Tsai

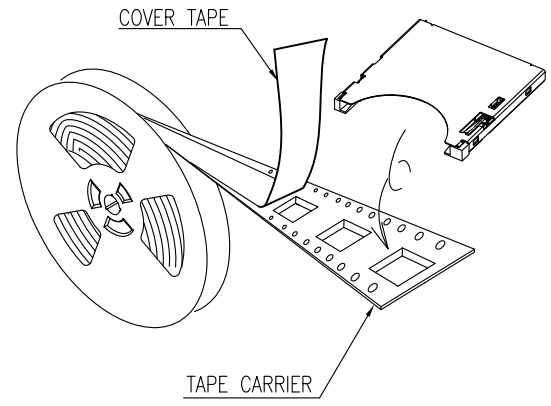


P/N : GSD09002SDEU
QTY : 250
P/O : 411-012345-001
DATE : MM/DD/YYYY
G.W : **KG
RoHS
Amphenol Taiwan Corporation

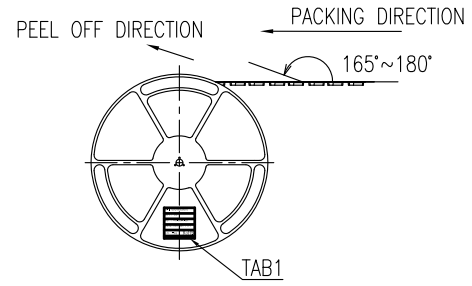
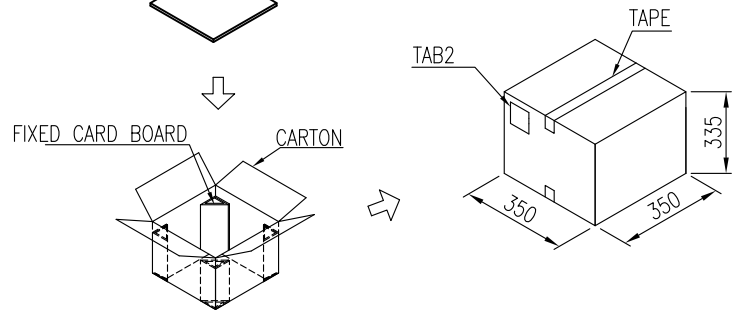
REEL LABEL EXAMPLE TAB1

P/N : GSD09002SDEU
QTY : 1250
P/O : 411-012345-001
DATE : MM/DD/YYYY
G.W : **KG
RoHS
Amphenol Taiwan Corporation

CARTON LABEL EXAMPLE TAB2



PEELING SPEED	300mm/MIN±10mm/MIN
FORCE	30g~130g



FOR PRODUCT PART NO	PARTS PER CARTON (S.P.Q)	PARTS PER PEEL	TOTAL PEELS PER CARTON
GSD09002SDEU	1250	250	5

TOLERANCE	APPROVALS	DATE	TITLE					
X. ±0.30	DRAWN Aqua Chou	12/19/2011	GSD SERIES SD CARD CONNECTOR SMT TYPE, 9 POSITIONS PUSH-PUSH TYPE	<b>Amphenol®</b> Amphenol Corporation Amphenol Taiwan Corporation				
X.X ±0.20	CHECKED Roger Tsai	12/19/2011						
X.XXX ±0.10	APPROVED Roger Tsai	12/19/2011						
ANGULAR ±1°	DWG TYPE CUST DWG	PROJECT CODE OTHER	UNIT mm	SCALE NA	SIZE A3	SHEET 2 OF 2	PART No. GSD 09 002 SDEU	
UNLESS OTHERWISE SPECIFIED							DWG No. GSD 09 002 SDEU	REV. A