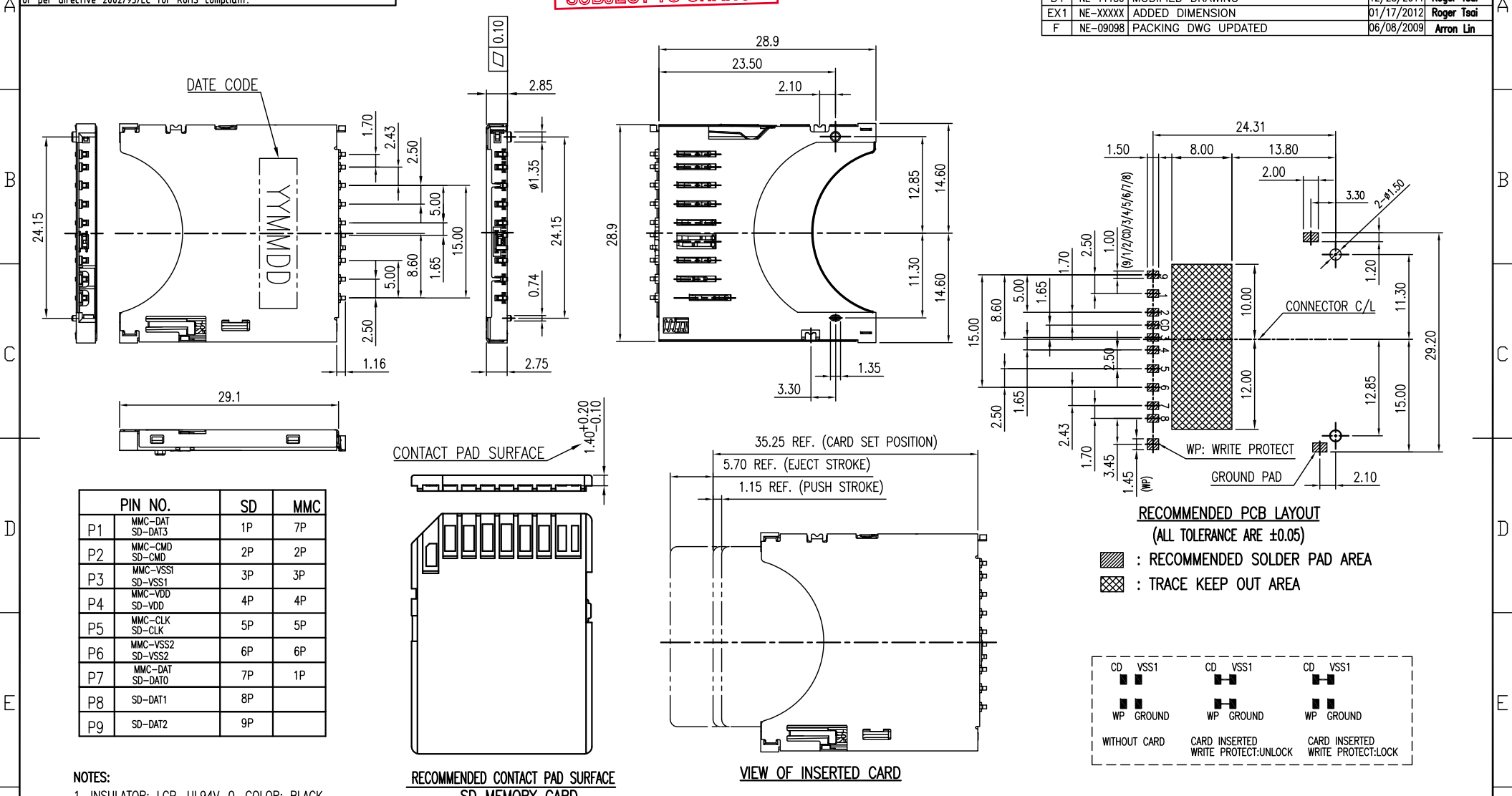


This document is the property of Amphenol Corporation and is delivered on the express condition that is not to be disclosed, reproduced or used, in whole or in part, for manufacture or sale by anyone other than Amphenol Corporation without its prior consent, and that no right is granted to disclose or to use any information in this document.

The marking on this product doesn't contain environmental hazardous materials per Material Specification SS-00259 for Sony GP compliant or per directive 2002/95/EC for RoHS compliant.

**PRELIMINARY RELEASE  
SUBJECT TO CHANGE**

REVISIONS				
SYM	ECN No.	DESCRIPTION	DATE	APPROVED
A1	NE-09125	ADD KEEP OUT AREA	07/20/2009	Roger Tsai
B1	NE-11096	MODIFIED DRAWING	09/13/2011	Roger Tsai
C1	NE-11166	ADD DIM & MODIFY PCB LAYOUT	11/24/2011	Roger Tsai
D1	NE-11186	MODIFIED DRAWING	12/28/2011	Roger Tsai
EX1	NE-XXXX	ADDED DIMENSION	01/17/2012	Roger Tsai
F	NE-09098	PACKING DWG UPDATED	06/08/2009	Arron Lin



PIN NO.	SD	MMC
P1	MMC-DAT SD-DAT3	1P 7P
P2	MMC-CMD SD-CMD	2P 2P
P3	MMC-VSS1 SD-VSS1	3P 3P
P4	MMC-VDD SD-VDD	4P 4P
P5	MMC-CLK SD-CLK	5P 5P
P6	MMC-VSS2 SD-VSS2	6P 6P
P7	MMC-DAT SD-DAT0	7P 1P
P8	SD-DAT1	8P
P9	SD-DAT2	9P

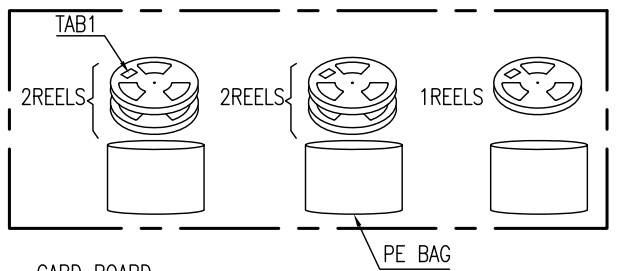
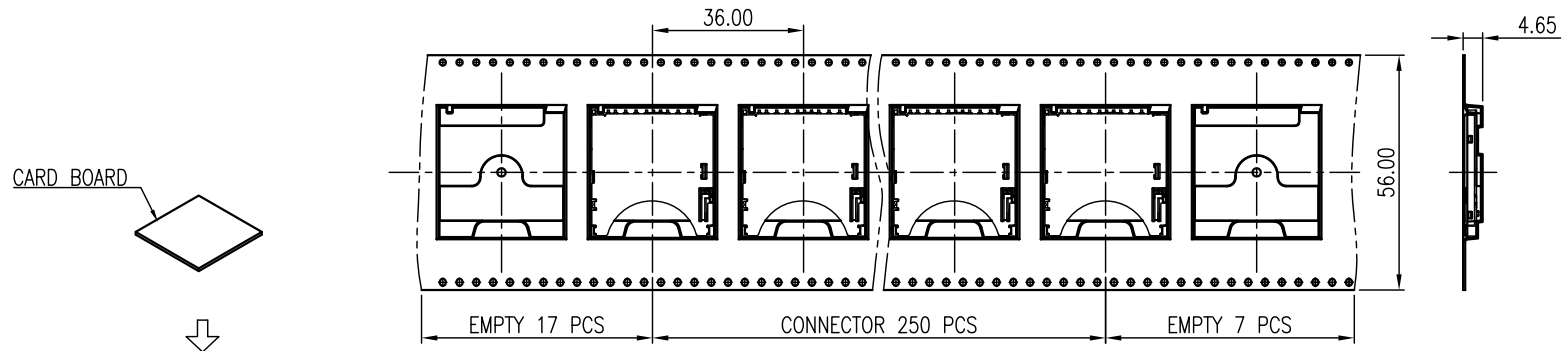
- NOTES:**
- INSULATOR: LCP, UL94V-0, COLOR: BLACK
  - CONTACT: PHOSPHOR BRONZE  
15μ" GOLD PLATED ON CONTACT AREA  
160μ" TIN PLATED ON SOLDER TAIL
  - GROUND: PHOSPHOR BRONZE, 160μ" TIN PLATED
  - SHELL: STAINLESS STEEL
  - THIS PRODUCT DOESN'T CONTAIN ENVIRONMENTAL HAZARDOUS PER MATERIAL SPECIFICATION SS-00259 FOR SONY GP.
  - THE SPRING MUST BE RELEASED WHEN REFLOW PROCESSED.

TOLERANCE	APPROVALS	DATE	TITLE		GSD SERIES		Amphenol®	
X.	DRAWN	01/17/2012	SD CARD CONNECTOR		SMT TYPE, 9 POSITIONS		Amphenol Corporation	
X.X ±0.30	CHECKED	01/17/2012	PUSH-PUSH TYPE				Amphenol Taiwan Corporation	
X.XX ±0.20	APPROVED	01/17/2012					PART No. GSD 09 002 SEU	
X.XXX ±0.10	DWG TYPE		PROJECT CODE		UNIT mm		SCALE NA	
ANGULAR ±1°	CUST DWG		OTHER		SIZE A3		SHEET 1 OF 2	
UNLESS OTHERWISE SPECIFIED					DWG No. GSD 09 002 SEU		REV. EX1	

PRELIMINARY RELEASE  
SUBJECT TO CHANGE

This document is the property of Amphenol Corporation and is delivered on the express condition that is not to be disclosed, reproduced or used, in whole or in part, for manufacture or sale by anyone other than Amphenol Corporation without its prior consent, and that no right is granted to disclose or to use any information in this document.  
The marking on this product doesn't contain environmental hazardous materials per Material Specification 55-00259 for Sony GP compliant or per directive 2002/95/EC for RoHS compliant.

REVISIONS				
SYM	ECN No.	DESCRIPTION	DATE	APPROVED
A1	NE-09125	ADD KEEP OUT AREA	07/20/2009	Roger Tsai
B1	NE-11096	MODIFIED DRAWING	09/13/2011	Roger Tsai
C1	NE-11166	ADD DIM & MODIFY PCB LAYOUT	11/24/2011	Roger Tsai
D1	NE-11186	MODIFIED DRAWING	12/28/2011	Roger Tsai
EX1	NE-XXXX	ADDED DIMENSION	01/17/2012	Roger Tsai
F	NE-09098	PACKING DWG UPDATED	06/08/2009	Arron Lin

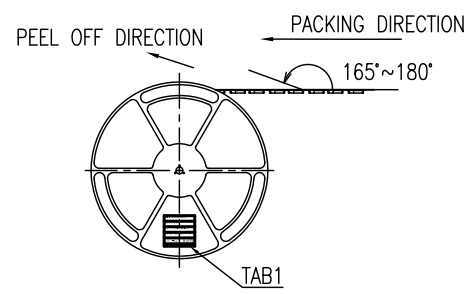
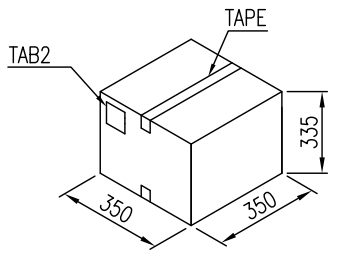
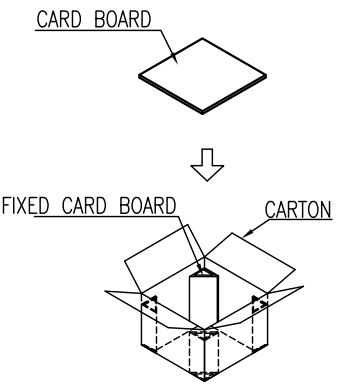
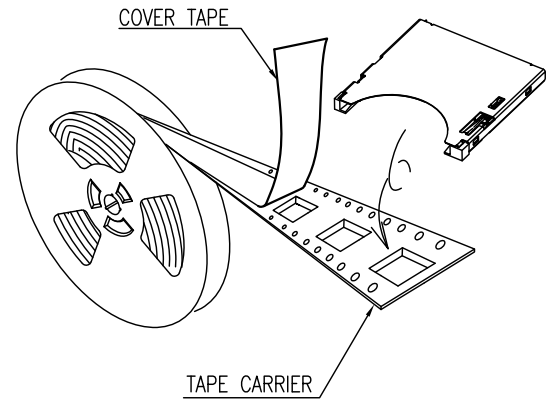


P/N : GSD09002SEU
QTY : 250
P/O : 411-012345-001
DATE: MM/DD/YYYY
G.W: **KG
RoHS
Amphenol Taiwan Corporation

REEL LABEL EXAMPLE  
TAB1

P/N : GSD09002SEU
QTY : 1250
P/O : 411-012345-001
DATE: MM/DD/YYYY
G.W: **KG
RoHS
Amphenol Taiwan Corporation

CARTON LABEL EXAMPLE  
TAB2



PEELING SPEED	300mm/MIN±10mm/MIN
FORCE	30g~130g

FOR PRODUCT PART NO	PARTS PER CARTON (S.P.Q)	PARTS PER PEEL	TOTAL PEELS PER CARTON
GSD09002SEU	1250	250	5

TOLERANCE	APPROVALS	DATE	TITLE		Amphenol® Amphenol Corporation Amphenol Taiwan Corporation			
X. ±0.30	DRAWN Aqua Chou	1/17/2012	GSD SERIES SD CARD CONNECTOR SMT TYPE, 9 POSITIONS PUSH-PUSH TYPE		UNIT mm SIZE A3		PART No. GSD 09 002 SEU	
X.X ±0.20	CHECKED Roger Tsai	1/17/2012						
X.XXX ±0.10	APPROVED Roger Tsai	1/17/2012						
ANGULAR ±1°			PROJECT CODE OTHER		SCALE NA		SHEET 2 OF 2	
UNLESS OTHERWISE SPECIFIED	DWG TYPE CUST DWG				DWG No. GSD 09 002 SEU		REV. EX1	