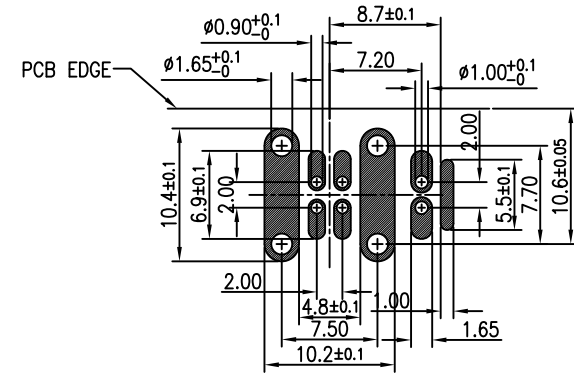
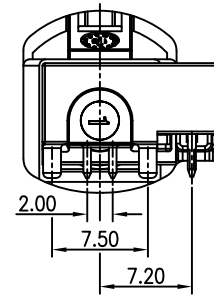
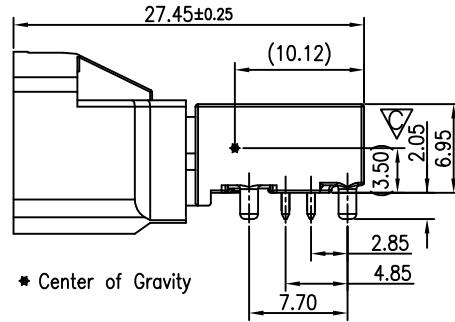
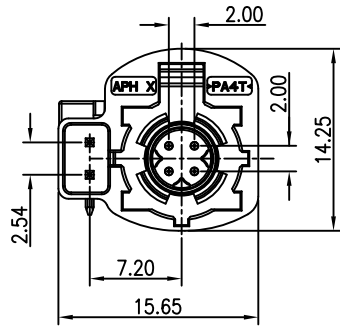


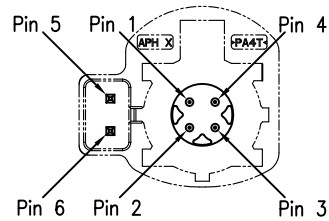
This document is the property of Amphenol Corporation and is delivered on the express condition that it is not to be disclosed, reproduced or used, in whole or in part, for manufacture or sale by anyone other than Amphenol Corporation without its prior consent, & that no right is granted to disclose or to use any information in this document.

CUSTOMER DRAWING

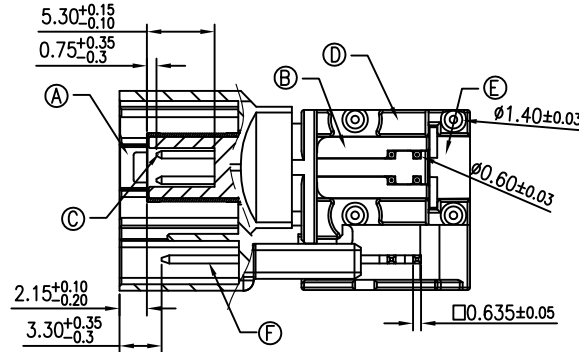
REVISIONS				
SYM	ECN	DESCRIPTION	DATE	APPROVED
6	TBD	ADD NEW PACKING OPTION	03/05'19	IP



RECOMMENDED PCB LAYOUT TOP VIEW
TOLERANCE: ±0.05 (PCB THICKNESS=1.6±0.15mm)



PINNING STANDARD



Notes:

- Material:
 - Ⓐ Housing: High temperature thermoplastic, color see table 1.
 - Ⓑ Dielectric: High temperature thermoplastic, color black.
 - Ⓒ Center contact: Copper alloy.
 - Ⓓ Outer contact: Zinc alloy.
 - Ⓔ Cover: Zinc alloy.
 - Ⓕ MQS contact: Copper alloy.
- Finish:
 - Ⓒ Center contact: Gold plated at mating area;
 - Ⓓ Outer contact: Tin plated.
 - Ⓕ MQS contact: Tin plated.
- RoHs compliant.
- Dimension marked ∇ should be checked the cpk (≥ 1.33)
- Order P/N system:

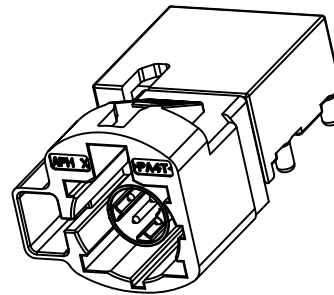
HSD NXRP PCB 7X

Coding:
 See table 1

Packing method:
 A/V- Packing by tape & reel with vacuum bag
 B- Packing by tray
 C- Single Packing

Table 1

Plug	Coding	Color	Ral
	A	Black	9005
	B	White	9001
	C	Blue	5005
	D	Claret	4004
	E	Green	6002
	F	Brown	8011
	Z	Waterblue	5021



3D PROFILE



UNLESS OTHERWISE SPECIFIED TOLERANCES		APPROVAL		DATE	Amphenol
U.S.	METRIC	DRAWN	WIII	03/05'19	
.X +/-	0.50	CHECKED			
.XX +/-	0.20	CHECKED			
.XXX +/-	0.10				
FRACTIONS +/-					
ANGLES +/-	5°				
FOR MATERIALS AND FINISHES SEE NOTES		DRAWING FILE :		TITLE	
REMOVE SHARP EDGES		ANGLE OF PROJECTION		HSD + 2MQS R/A PLUG NORTH LOCATION	
DIMENSIONS		DRAWING NO.		REV.	
U.S.	INCHES	A3 HSDNXRPPCB7X		6	
METRIC	MM	SCALE	1:1	SHEET 1 OF 1	