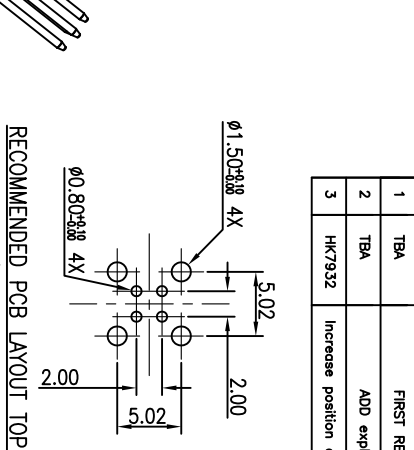
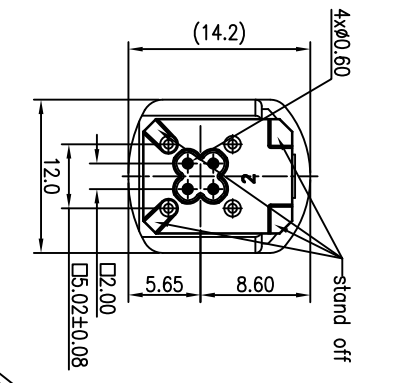
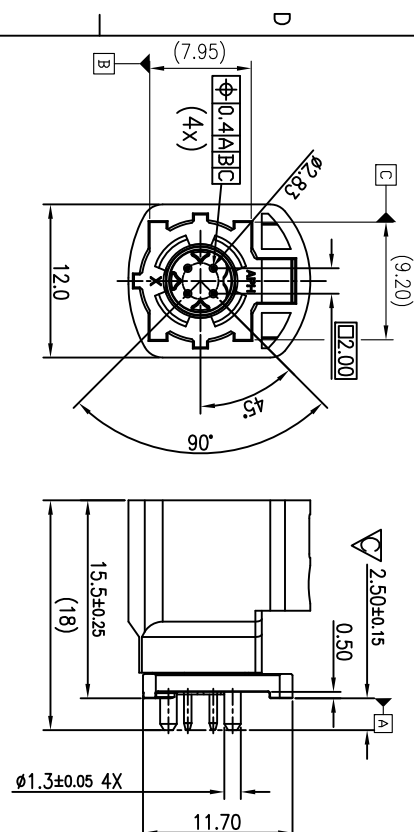
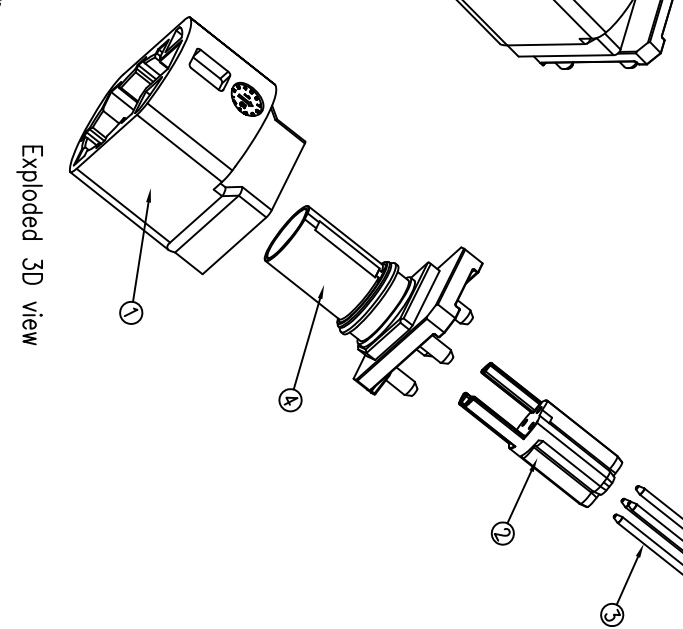
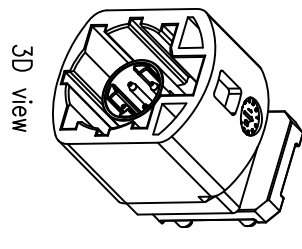
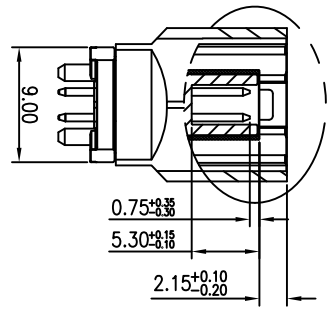


This document is the property of Amphenol Corporation and is intended for use in connection with the purchase of Amphenol products. It is not to be disseminated, reproduced or used in whole or in part for manufacture or sale of any product other than Amphenol products without the express written permission of Amphenol Corporation. For information or to see our information in this document.

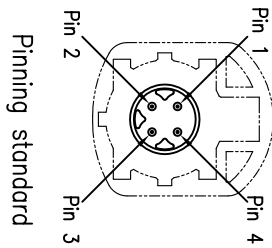
CUSTOMER DRAWING



RECOMMENDED PCB LAYOUT TOP VIEW
TOLERANCE:±0.05(PCB THICKNESS=1.6±0.15mm)



Exploded 3D view



PLUG CODING	COLOR	RAL
A	JET BLACK	SIM. 9005
B	CREAM	SIM. 9001
C	SIGNAL BLUE	SIM. 5005
D	CLARET VIOLET	SIM. 4004
E	LEAF GREEN	SIM. 6002
F	NUT BROWN	SIM. 8011
Z	WATER BLUE	SIM. 5021

REVISIONS				
SYM	ECN	DESCRIPTION	DATE	APPROVED
1	TBA	FIRST RELEASE	9/20/17	IP
2	TBA	ADD exploded 3D VIEW	9/28/17	IP
3	HK7932	Increase position and adjacent pin angle	11/30/17	IP

Notes:
1. Material:
① Housing: PA4T 30%GF,color see table 1.
② Dielectric: LCP 30%GF,color black.
③ Center contacts: Brass H65.
④ Outer contact : 3# Zinc alloy .
2. Finish:
③ Center contacts:
Underplate: 1µm Min Ni;
Mating area: 0.15µm Min gold;
Solder tail: 0.02µm Min gold.
④ Outer contact:
Underplate: 1µm Min Ni;
Top plating: 1.25 matte tin over all.

3. RoHS compliant.
4. Dimension marked ∇ should be checked the cpk(>=1.33)
5. Order P/N system:
HSD NXSP PCB25X

Coding: _____
Packing method:
A- Packing by tape & reel
B- Packing by tray
C- In bulk

UNLESS OTHERWISE SPECIFIED		APPROVAL		DATE	
TOLERANCES	U.S.	DRAWN	HECKED	11/30/17	
	METRIC				
X +/-	0.50				
.XX +/-	0.25				
.XXX +/-	0.20				
FRACTIONS +/-					
ANGLES +/-	5°				
FOR MATERIALS AND FINISHES SEE NOTES					
REMOVE SHARP EDGES					
DIMENSIONS		DRAWING FILE:		ANGLE OF PROJECTION	
U.S.	INCHES				
METRIC	MM				
TITLE					
Amphenol East Asia Limited					
PROPOSAL DRAWING FOR HSD VERTICAL PLUG CONNECTOR					
SIZE	DRAWING NO.	SCALE		REV.	
A3	HSDNXSPCB25X	N/A		3	
				SHEET 1 OF 1	